



RP-240

DISTRIBUTION UNIT - PRESS SPLITTER BOX

**40
OUTPUTS**

The Altair DA-240 appears to fulfill the huge demand of distributed audio signals in press and multimedia events. This passive panel must be associated to the well known active ALT AIR DA-410 distribution and zone mixer unit. The panel allows a direct input and output XLR connections. Each stereo input pairs can be selected as mono inputs. All the 40 outputs incorporates full range attenuators to interface a line level signal to a mic level to drive camera and recording sets easily.

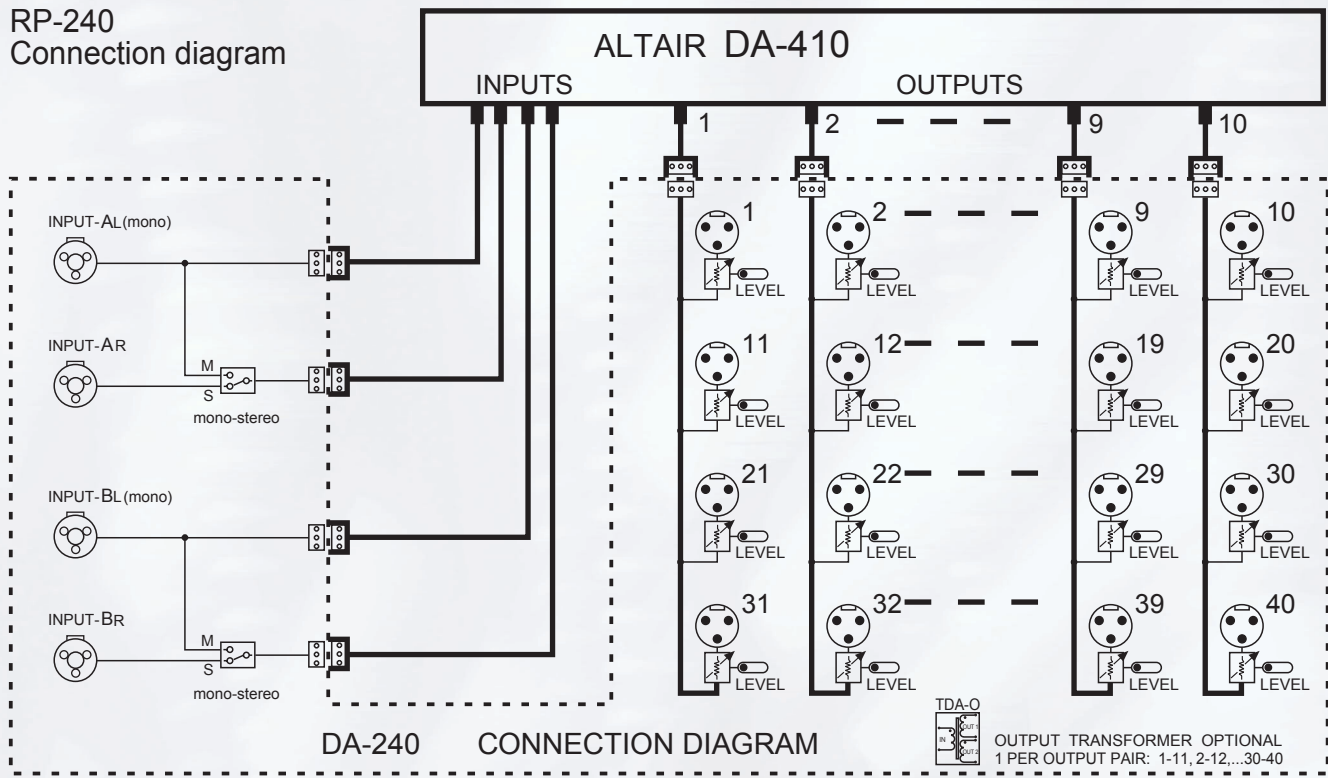
Outputs are grouped in 10 blocks of 4 outputs vertically. Each block incorporates individual A/B input selection, speaker monitoring and level adjustment in the DA-410 side. All input and output are electronically balanced and can be optionally equipped with input and output transformer. Two multigender patches are included to assist in difficult interconnections.

FEATURES:

- 40 balanced OUTPUTS.
- Complement of the Altair DA-410 Distribution Unit.
- 3 POSITION attenuator per output.
- INDIVIDUAL short circuit protection in any output.
- Optional output TRANSFORMER.
- COMBO (tm) & XLR link on inputs.
- Survival audio Patch: XLR male, XLR female, Jack 1/4, RCA and minijack to ease interconnections.



RP-240
Connection diagram



TECHNICAL SPECIFICATIONS (DA-240+DA-410)

Input Connectors

4 x XLR Combo+ XLR links
Mono/Stereo and A/B, A+B source
selectors

Input Attenuators

Global A/B, from $-\infty$ to +6 dB

Input Impedance

Electronically balanced, 5 KOhm
typical

Output connectors

40 x XLR male
40 mono/20 Stereo or combination

Output attenuators

40 x 3 position lever
Global $-\infty$ to +6 dB levelling
(DA-410)

Attenuation adjustment per output

0 dB, -10 dB, -20 dB (+/- 2dB, typ.
load)

Recommended load impedance

10 KOhm typical, 600 Ohm min

Insertion loss

Typically: 2,6 dB

Bandwidth

20Hz-20KHz (0,-0,5 dB)

Distortion (THD+N)

<0,02% 20Hz-20KHz /+20 dBu
<0,5% at 50 Hz / +18 dBu
(Txmer option)

Crosstalk between adjacent channels

Better than 90 dB at 1 KHz

Noise

Better than -100 dBu (U/W) any output

Monitoring

Headphones output, Jack 1/4"
Built-in stereo micro-speakers, 82
dBA SPL

Power Supply (only DA-410)

115/230 VAC +10,-30%

Dimension/Weight

RP-240: 530x440x200 mm/15 Kg
DA-240: 482X265X44,5 mm
(19"x 6U)/ 5Kg

OPTIONS:

TDA-O: Output Transformers
TDA-I: Input transformers
Equaliser cards (DA-410)
Plastic or metal security covers (DA-410)



RP-240 flight case.

ALL IN ONE UNIT:

RP-240 Press Splitter
Box Complete and
ready to use in a
rugged flight case
including 1 each
DA-240, DA-410,
MC-240 and FC-240.

SEPARATE PARTS ORDERING REFERENCES:

DA-240 Panel only to be mounted on 19" rack frames.

DA-410 Distribution Unit-Zone mixer-Splitter.

MC-240 Set of Phoenix to XLR cable links.

FC-240 Empty flight case + 2 x 1 U vented panels.

Distributed by:

CON EL PATROCINIO DE LA CAMARA DE COMERCIO E INDUSTRIA DE MADRID



EQUIPOS EUROPEOS ELECTRONICOS, S.A.L.

Avda. de la Industria, 50 - 28760 TRES CANTOS - MADRID - SPAIN

http://www.altairaudio.com e-mail: altair@altairaudio.com - Tel.: +34 91 804 3265 - Fax: +34 91 804 4358

Specifications subject to change without previous notice.