

HD Variable Frame Rate Camera

VFC-7000 *Flash EYE*



Lens is optional

Compact, lightweight and configured as an all-in-one self-contained unit, the VFC-7000 is an easy to operate variable frame rate camera that is capable of high-speed HD recordings.

- Variable frame rate camera capable of high-speed HD recording
- High-speed 700 fps full frame (1280 x 720 pixels) recording
- Frame rate can be varied from 24 to 700 fps (1280 x 720 pixels)
- High-sensitivity CMOS color sensor
- Lens mount: F mount (PL mount option will be available)
- Electronic high-speed shutter: Up to 1/200,000 sec for recording fast subjects without blur
- Recording time: 9.8 sec standard (700 fps)
- Internal recording memory can be expanded to max. 29.4 sec (option)
- Recording method: Endless recording with built-in memory, saved video can be linked to an external trigger (start, center or end trigger style can be selected)
- Video output: Equipped with 2 channels of HD-SDI output
Simultaneous output of live and recorded video
- Genlock capability (BB or Tri-level sync)
- Camera head, main body and recording component all in one integrated structure
- Also supports DC drive, making it optimal for recording outdoors and in other environments with no power source

Specifications

Camera Sensor	Color CMOS
Lens mount	F mount (PL mount option will be available)
Processing	RGB 10-bit
Shutter speeds	1/Frame rate to 1/200,000 sec. (selectable)
Scan Format	Progressive
Memory Partition	Max. 8 partitions
Frame rate	15 steps (refer to below)
Max. recording time	Refer to below
Picture Setting	
Gain	0 dB / 6 dB / 12 dB (Selectable)
Gamma	3 steps
Knee	ON / OFF
White Balance	Auto (Shoot to White) or Preset
Record modes	Endless (loop recording) Trigger (Selectable: start, center, end) - Internal trigger input from operation unit - External trigger via TRIG jack
Video output	HD-SDI: 1.485 Gbps, 75Ω, 2 output, BNC (Simultaneous output of live and recording video *1) Television standard: 720/59.94p, 720/50p (will support 1080/59.94i, 50i and 23.98PsF)
Genlock Input	BB: NTSC: 0.429 Vp-p/PAL: 0.45 Vp-p; or Tri-level Sync: 0.6 Vp-p, 75Ω, 1 input, BNC

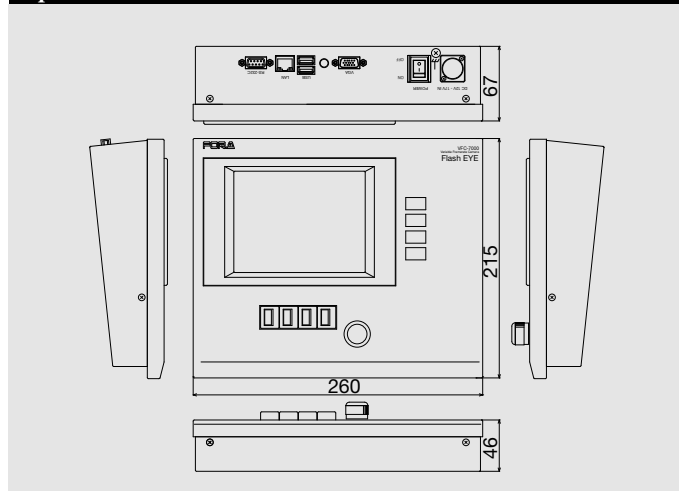
Recording/Playback	Can be recording when playing back other footage
Synchronized record/play	2 units connected: Master/slave configuration (Useful for Stereoscopic 3D shooting/playback)
Interface	
Ethernet	100 Base-TX/1000 Base-T, 1 port, RJ-45 (for operation unit)
Operation Unit	Control of recording/playback, Parameter Setting
Temperature / Humidity	5°C - 40°C / 10% - 85% (no condensation)
Power / Consumption	
Camera	+12 VDC - +17 VDC (4-pin XLR) / Approx. 24 W
Operation Unit	+12 VDC - +17 VDC (4-pin XLR) / Approx. 15 W
Dimensions / Weight	
Camera	115 (W) x 116 (H) x 244 (D) mm / Approx. 2 kg (without handle)
Operation Unit	260 (W) x 67 (H) x 215 (D) mm / Approx. 2 kg
Accessories	Camera main unit, Operation unit, Operation manual, AC adopter (2), AC cord (2), LAN cable (5 m)
Options	Support format expansion (1080/59.94i, 50i, 23.98PsF) Recording memory expansion (8 GB to 24 GB) PL mount Synchronization Cable (for Stereoscopic 3D)

*1: Can be used for memory partition mode

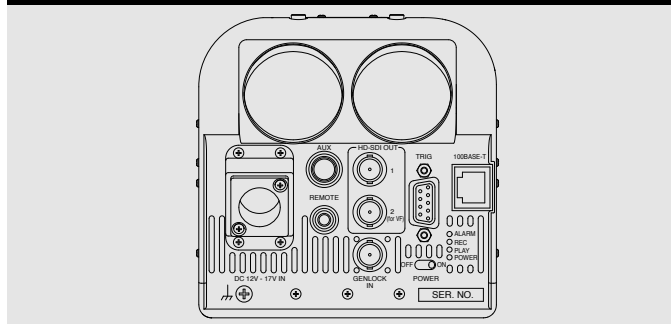
Frame Rate/Resolution/Recording Time

Frame Rate (frames/sec)	Resolution (pixels)	Aspect Ratio	Recording Time (Sec)	
			Standard	Expansion
24	1280 x 720	16:9	287.3	861.9
25	1280 x 720	16:9	275.8	827.4
30	1280 x 720	16:9	229.8	689.4
50	1280 x 720	16:9	137.9	413.7
60	1280 x 720	16:9	114.9	344.7
100	1280 x 720	16:9	68.9	176.7
120	1280 x 720	16:9	57.4	172.2
150	1280 x 720	16:9	45.9	137.7
180	1280 x 720	16:9	38.3	114.9
200	1280 x 720	16:9	34.4	103.2
240	1280 x 720	16:9	28.7	86.1
250	1280 x 720	16:9	27.5	82.5
300	1280 x 720	16:9	22.9	68.7
360	1280 x 720	16:9	19.1	57.3
400	1280 x 720	16:9	17.2	51.6
500	1280 x 720	16:9	13.7	41.1
600	1280 x 720	16:9	11.4	34.2
700	1280 x 720	16:9	9.8	29.4

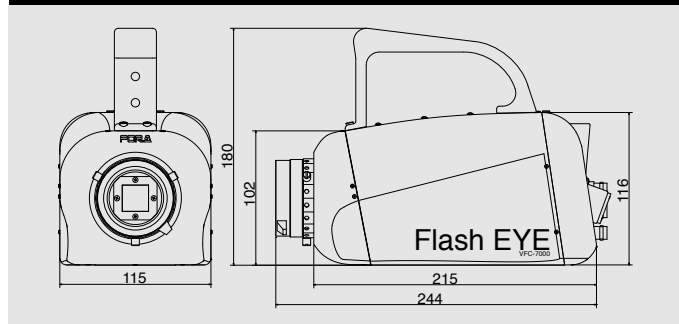
Operation Unit External Dimensions



Camera Unit Rear View



Camera Unit External Dimensions



FOR-A COMPANY LIMITED

Head Office : 3-8-1 Ebisu, Shibuya-ku, Tokyo 150-0013, Japan

FOR-A Corporation of America Corporate Office : 11155 Knott Ave., Suite G&H, Cypress, CA 90630, USA

FOR-A Corporation of America East Coast Office : 2 Executive Drive, Suite 670, Fort Lee Executive Park, Fort Lee NJ 07024, USA

FOR-A Corporation of America Distribution & Service Center : 2400 N.E. Waldo Road, Gainesville, FL 32609, USA

FOR-A Latin America & the Caribbean : 5200 Blue lagoon Drive, Suite 760, Miami, FL 33126, USA

FOR-A Corporation of Canada : 346A Queen Street West, Toronto, Ontario M5V 2A2, CANADA

FOR-A UK Limited : UNIT C71, Barwell Business Park, Leatherhead Road, Chessington Surrey, KT9 2NY, UK

FOR-A Italia S.r.l. : Via Volturmo, 37, 20047, Brugherio MB, ITALY

FOR-A Corporation of Korea : 801 Dangsang Bld., 53-1 Dangsang-dong, Youngdeungpo-gu, Seoul 150-800, KOREA

FOR-A China Limited : 708B Huateng Building, No. 302, 3 District, Jinsong, Chaoyang, Beijing 100021, CHINA

ISO 9001 and 14001 certified (Sakura R&D)

Homepage: <http://www.for-a.com/>

Tel : +81 (0)3-3446-3936 Fax : +81 (0)3-3446-1470

Tel : +1 714-894-3311 Fax : +1 714-894-5399

Tel : +1 201-944-1120 Fax : +1 201-944-1132

Tel : +1 352-371-1505 Fax : +1 352-378-5320

Tel : +1-305-931-1700 Fax : +1-305-264-7890

Tel : +1 416-977-0343 Fax : +1 416-977-0657

Tel : +44 (0)20-8391-7979 Fax : +44 (0)20-8391-7978

Tel : +39 039-881-086/103 Fax : +39 039-878-140

Tel : +82 (0)2-2637-0761 Fax : +82 (0)2-2637-0760

Tel : +86-(0)10-8721-6023 Fax : +86-(0)10-8721-6033