



# For Surveillance Telephoto Zoom

Applicable camera (model)

# C22x23R2D-ZP1

1 2/3 1/2 1/3 1/4

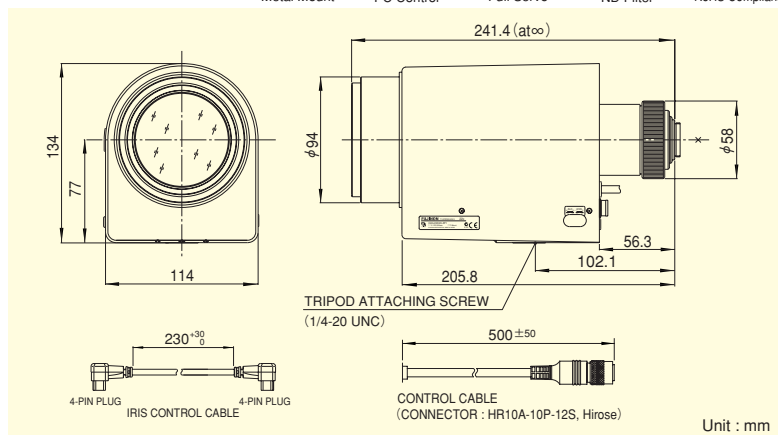
22x



\*Photograph is a similar model.

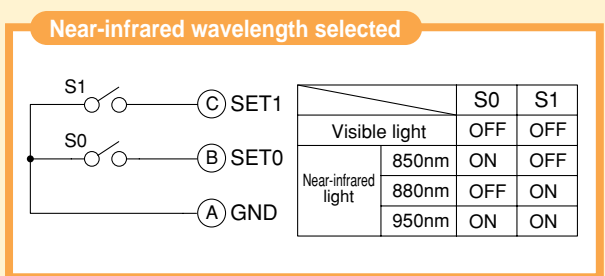
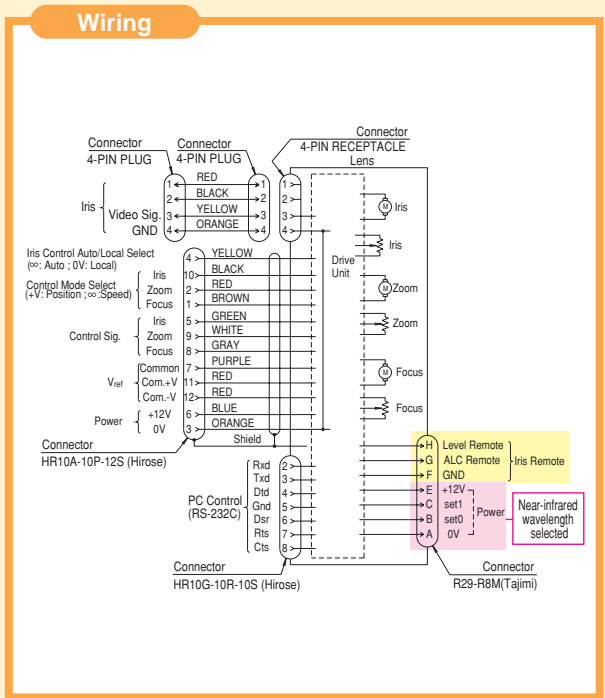
- Zoom lens with near-infrared wavelength selection mechanism, best suited for day and night cameras.
- High-power zoom lens with focal length of 500mm, best suited for remote surveillance.
- Compact and lightweight design, allowing compact systems to be easily established.
- Special built-in ND filter of T3000, providing support for ultra sensitive cameras.
- Equipped with the RS-232C interface for advanced control.
- Auto iris is remotely operable, allowing light intensity to be fine adjusted according to the monitoring target.
- Supports 1" II tube cameras.

<b>ZOOM</b> Zoom	<b>TELE</b> Telephoto Long Focal	<b>MOTOR DRIVE</b> Motor Drive	<b>Day~Night</b> Day & Night	<b>VIDEO</b> Video Auto Iris	<b>IRIS-REMOTE</b> Iris Remote	<b>C-mt</b> C Mount
<b>METAL</b> Metal Mount	<b>PC</b> PC Control	<b>SERVO</b> Full Servo	<b>ND</b> ND Filter	<b>RoHS</b> RoHS Compliant		



TELEPHOTO ZOOM LENSES

Focal Length (mm)		23~506 (22x)	
Iris Range		F3.1 ~ T3000 (Equivalent to F3000)	
Operation	Zoom	Servo Control	
	Focus	Servo Control	
	Iris	Auto (Video Type), Remote (*1) or Servo Control	
Angle Of View (HxV)	1"	WIDE	31°06' X 23°35'
		TELE	1°27' X 1°05'
	2/3"	WIDE	21°40' X 16°20'
		TELE	1°00' X 0°45'
	1/2"	WIDE	15°50' X 11°55'
		TELE	0°43' X 0°33'
	1/3"	WIDE	11°55' X 8°57'
		TELE	0°32' X 0°24'
Focusing Range (From Front Of The Lens) (m)		∞ ~ 3	
Object Dimensions at M.O.D. (HxV) (mm)	1"	WIDE	1611 X 1208
		TELE	73 X 55
	2/3"	WIDE	1108 X 831
		TELE	50 X 38
	1/2"	WIDE	806 X 604
		TELE	37 X 27
	1/3"	WIDE	604 X 453
		TELE	27 X 21
Back Focal Distance (in air) (mm)		39.54	
Exit Pupil Position (From Image Plane) (mm)		-64	
Filter Thread (mm)		M82 X 0.75	
Mount		C	
Mass (kg)		2.4	
Standard Accessories		Iris Control Cable Connection Connector (8-pin)	
Remarks		• With Metal Mount (*1) For Iris remote function please refer to page (H-1)	



### Accessories

■ Extender	
Model	Magnification
HE15-1	1.5X
HE20-1	2X