



			CL3355 (M55×0.75mm, fc=333mm)			CL10055 (M55×0.75mm, fc=1000mm)		
Applicable Lens			Y12×6 Type	D8×7.8 Type	D12×8 Type	Y12×6 Type	D8×7.8 Type	D12×8 Type
Imaging Area (mm)			333 ~ 265	333 ~ 261	333 ~ 250	1000 ~ 565	1000 ~ 545	1000 ~ 500
Object Dimensions (mm)	1/2"	WIDE	—	205 × 153	204 × 153	—	428 × 321	436 × 327
		TELE	—	25 × 19	17 × 13	—	53 × 40	36 × 27
	1/3"	WIDE	204 × 153	153 × 115	153 × 115	436 × 327	321 × 241	327 × 245
		TELE	17 × 13	19 × 14	13 × 10	36 × 27	40 × 30	27 × 20
	1/4"	WIDE	153 × 115	115 × 86	115 × 86	327 × 245	241 × 181	245 × 184
		TELE	13 × 10	14 × 11	10 × 7	27 × 20	30 × 22	20 × 15

fc : Focal Length of Close-up Lens

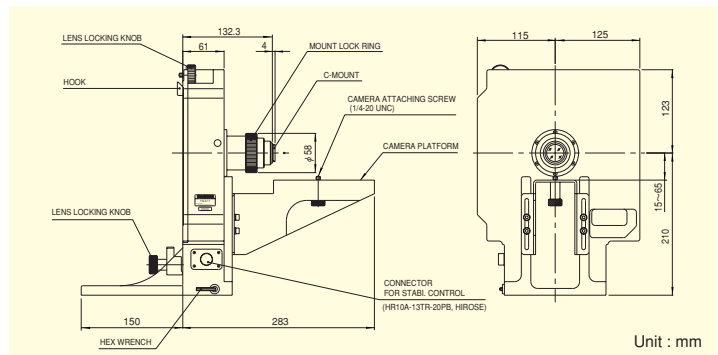


Image Shaking Compensation System	Optical shift system
Focal Length Change	1.25X
Lens to fix	C55×13.5, C55×20
Mount	C
Power Source	DC 12V
Mass (kg)	6

Remarks