



For Surveillance
Telephoto Zoom

MP⁺ MEGA PIXELS

D32x10HR4D-V41

Applicable camera (model)

1 2/3 1/2 1/3 1/4

32x



ZOOM
Zoom

WIDE
Wide Angle

TELE
Telephoto Long Focal

MOTOR DRIVE
Motor Drive

Day~Night
Day & Night

1.3 Mega
For Megapixel Camera

VIDEO
Video Auto Iris

IRIS-REMOTE
Iris Remote

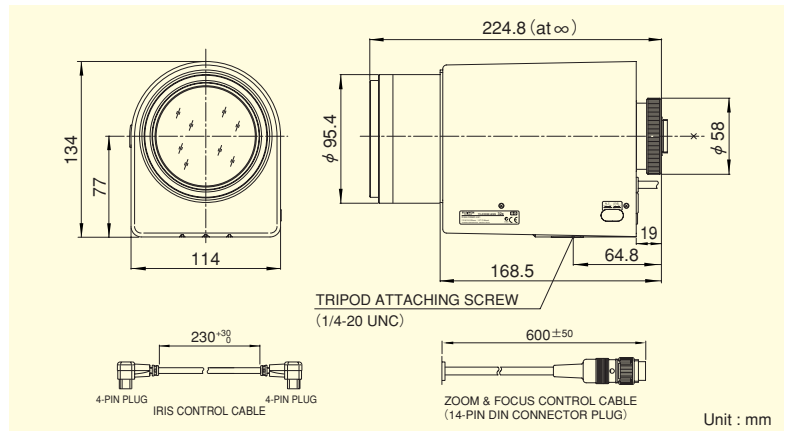
C-mt
C Mount

METAL
Metal Mount

PRESET
Potentiometer

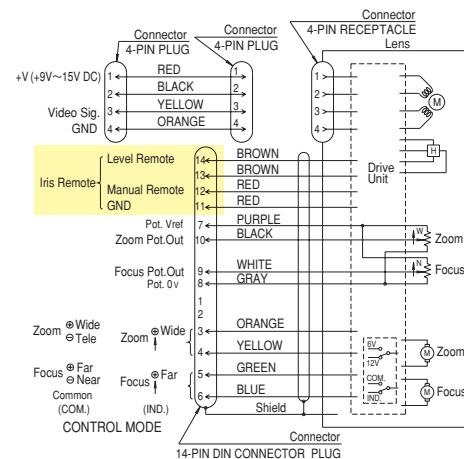
N D
ND Filter

- Optically corrected 32x telephoto zoom lens best suited for day and night cameras.
- High-resolution design, providing support for up to 1.3 megapixel camera resolution.
- Realized a light and compact design for condensed system.
- Multi-power compatibility for connection to existing surveillance systems for zoom operation.
- Iris override function allows manual iris adjustment.



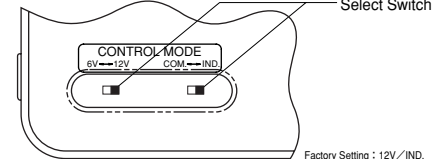
Focal Length (mm)		10~320 (32x)	
Iris Range		F2.5 ~ T1500 (Equivalent to F1500)	
Operation	Zoom	Motor Drive	
	Focus	Motor Drive	
	Iris	Auto (Video Type), or Remote (*1) (*2)	
Angle Of View (H×V)	1/2"	WIDE	35°29' × 26°59'
		TELE	1°09' × 0°52'
	1/3"	WIDE	26°59' × 20°24'
		TELE	0°52' × 0°39'
	1/4"	WIDE	20°24' × 15°23'
		TELE	0°39' × 0°29'
Focusing Range (From Front Of The Lens) (m)		∞ ~ 3	
Object Dimensions at M.O.D. (H×V) (mm)	1/2"	WIDE	1746 × 1310
		TELE	57 × 43
	1/3"	WIDE	1310 × 982
		TELE	43 × 32
	1/4"	WIDE	982 × 737
		TELE	32 × 24
Back Focal Distance (in air) (mm)		22.70	
Exit Pupil Position (From Image Plane) (mm)		-53	
Filter Thread (mm)		M82 × 0.75	
Mount		C	
Mass (kg)		2.5	
Standard Accessories		Iris Control Cable Connection Connector (14-pin)	
Remarks		<ul style="list-style-type: none"> • With Metal Mount (*1) When power is turned off, iris will automatically close. (*2) For Iris remote function please refer to page (J-1). 	

Wiring



Control Mode

(Rear View)



Controller output	Select switch position	Conversion cable (Standard accessory)
6V	6V / IND.	Not necessary
±6V	6V / COM.	Necessary
12V	12V / IND.	Not necessary
±12V	12V / COM.	Necessary

Accessories

Extender

Model	Magnification
HE15-1	1.5X
HE20-1	2X