



**For Surveillance**  
**Telephoto Zoom**

Applicable camera (model)

**D60×12.5BE-V41**

1 2/3 1/2 1/3 1/4

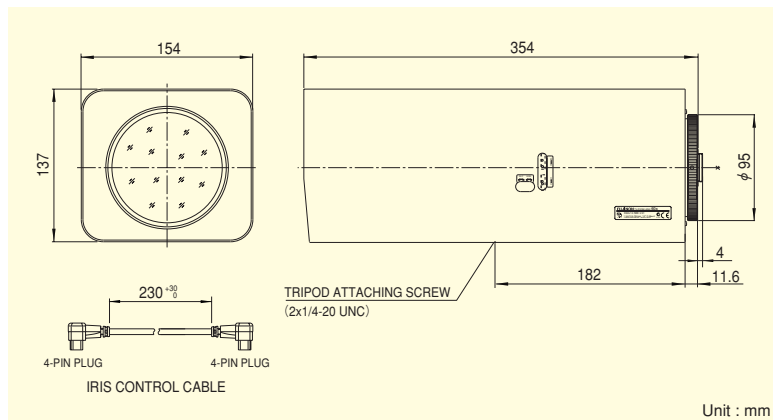
**60×**



\*Photograph is a similar model.

- Offering F3.8 brightness and 60x zoom (focal length of 1500mm when used with an extender), these lenses are suited for long-range surveillance, such as for seaport security.
- The compact and lightweight design allows establishment of compact remote surveillance systems.
- Equipped with a 2x extender that provides clear identification of individuals activities at a distance of 3km.
- Multi-power compatibility for connection to existing surveillance systems for zoom operation.
- Iris Override function allows manual iris adjustment.

|                             |                                |                                     |                                   |                                   |                                   |                        |
|-----------------------------|--------------------------------|-------------------------------------|-----------------------------------|-----------------------------------|-----------------------------------|------------------------|
| <b>ZOOM</b><br>Zoom         | <b>WIDE</b><br>Wide Angle      | <b>TELE</b><br>Telephoto Long Focal | <b>MOTOR DRIVE</b><br>Motor Drive | <b>VIDEO</b><br>Video Auto Iris   | <b>IRIS-REMOTE</b><br>Iris Remote | <b>C-mt</b><br>C Mount |
| <b>METAL</b><br>Metal Mount | <b>PRESET</b><br>Potentiometer | <b>ND</b><br>ND Filter              | <b>2x</b><br>Extender             | <b>F3.8</b><br>Wide Aperture Rate | <b>RoHS</b><br>RoHS Compliant     |                        |



TELEPHOTO ZOOM LENSES

|   |       | 1×   |                 | 2×                               |  |
|---|-------|--|-----------------|----------------------------------|--|
| Focal Length (mm)                           |       | 12.5~750 (60×)   |                 | 25~1500 (60×)                    |  |
| Iris Range                                  |       | F3.8~T3000 (Equivalent to F3000)   |                 | F7.6~T3000 (Equivalent to F3000) |  |
| Operation                                   | Zoom  | Motor Drive  |                 |                                  |  |
|   | Focus | Motor Drive  |                 |                                  |  |
|   | Iris  | Auto (Video Type) or Remote (*1) (*2)  |                 |                                  |  |
| Angle Of View (H×V)                         | 1/2"  | WIDE   | 28°43' × 21°44' | 14°35' × 10°58'                  |  |
|   |       | TELE   | 0°29' × 0°22'   | 0°15' × 0°11'                    |  |
|   | 1/3"  | WIDE   | 21°44' × 16°23' | 10°58' × 8°14'                   |  |
|   |       | TELE   | 0°22' × 0°17'   | 0°11' × 0°08'                    |  |
|   | 1/4"  | WIDE   | 16°23' × 12°20' | 8°14' × 6°11'                    |  |
|   |       | TELE   | 0°17' × 0°08'   | 0°08' × 0°06'                    |  |
| Focusing Range (From Front Of The Lens) (m) |       | ∞ ~ 5  |                 | ∞ ~ 5                            |  |
| Object Dimensions at M.O.D. (H×V) (mm)      | 1/2"  | WIDE   | 2465 × 1849     | 1233 × 924                       |  |
|   |       | TELE   | 41 × 31         | 21 × 15                          |  |
|   | 1/3"  | WIDE   | 1849 × 1387     | 925 × 693                        |  |
|   |       | TELE   | 31 × 23         | 16 × 12                          |  |
|   | 1/4"  | WIDE   | 1387 × 1040     | 693 × 520                        |  |
|   |       | TELE   | 23 × 17         | 12 × 9                           |  |
| Back Focal Distance (in air) (mm)           |       | 53.23  |                 | 31.10                            |  |
| Exit Pupil Position (From Image Plane) (mm) |       | -77  |                 | -38                              |  |
| Filter Thread (mm)                          |       | M107×1   |                 |                                  |  |
| Mount                                       |       | C  |                 |                                  |  |
| Extender                                    |       | 2×   |                 |                                  |  |
| Mass (kg)                                   |       | 5.1  |                 |                                  |  |
| Standard Accessories                        |       | Iris Control Cable<br>Connection Connector (15-pin)  |                 |                                  |  |
| Remarks                                     |       | • With Metal Mount<br>(*1) When power is turned off, iris will automatically close.<br>(*2) For Iris remote function please refer to page (H-1). |                 |                                  |  |

