

FUJIFILM

expect INNOVATION™

SELECT Series



XS13sx3.3BRM

Technology That Inspires...

FUJINON

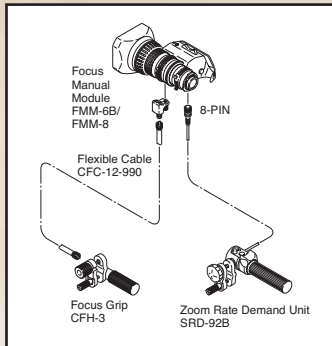
XS13sx3.3BRM



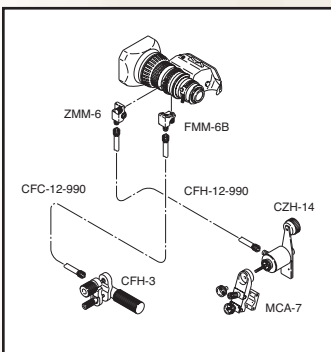
Zoom Ratio / Format	20X / 1/2"
Focal Length	6.3 to 126 mm
Maximum Relative Aperture	1:1.4 (6.3 ~ 88 mm)
Maximum Photometric Aperture T-No.	1:2.0 (126 mm)
Angular Field of View 16:9 Aspect Ratio	6.3 mm 57° 54' x 34° 34' 126 mm 3° 10' x 1° 47'
M.O.D. from Image Plane	1.11m
M.O.D. from Front of Lens	0.9m
Object Dimensions at M.O.D.	6.3 mm 904 x 508 mm 126 mm 47 x 26 mm
Filter Size	ø 95m P=1 (On Barrel) / ø 107m P=1 (In Hood)
Dia ø x Length (w/o Hood)	ø85 x 180.8 mm
Weight (w/o Hood)	1.4 kg (RM)
Options	Ratio Converter / 16 Bit Encoder
Features	Inner Focus / Quick Zoom

ACCESSORIES: HD & SD ENG/EFP PROFESSIONAL REAR CONTROL KITS

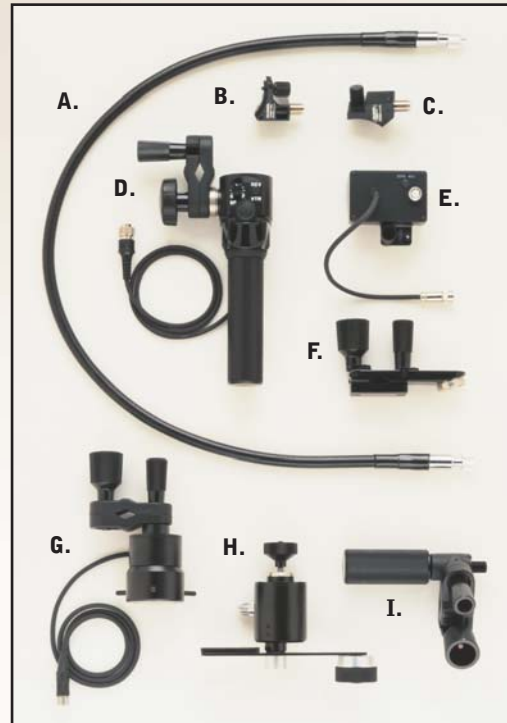
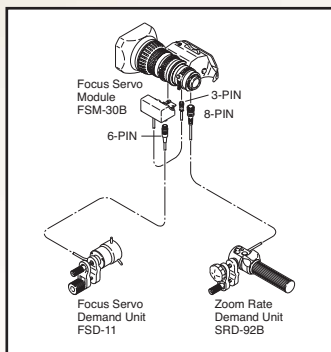
MS-01 Manual Focus/Servo Zoom



MM-01 Manual Focus/Manual Zoom Not available on S16x7.3



SS-01 Servo Focus/Servo Zoom Not available on S16x7.3



- A. CFC-990 Flex Cable
- B. FMM-6B/FMM-8* Focus Manual Module
- C. ZMM-6 Zoom Manual Module
- D. SRD-92B Zoom Demand
- E. FSM-30B Focus Servo Module
- F. MCA-7 Mounting Clamp
- G. FSD-11 Focus Demand
- H. CZH-14 Zoom Handle
- I. CFH-3 Focus Handle

*Specify camera type.

*FMM-8 for use with S16 x 7.3

For Sales Contact Information go to
www.Fujinon.com