



**For Security  
Video Conferencing**

Applicable camera (model)

# T16×5.5DA-R11

1	2/3	1/2	1/3	1/4
---	-----	-----	-----	-----

**16×**



\*Photograph is a similar model.

- With the high accuracy servo control enabled, best suited for advanced monitoring systems.
- High-power zoom lens covering wide angle and telephoto.
- Special design for optimizing the image quality of 3CCD cameras.

**ZOOM**

Zoom

**WIDE**

Wide Angle

**TELE**

Telephoto  
Long Focal

**MOTOR DRIVE**

Motor Drive

**3CCD**

For 3CCD Camera

**VIDEO**

Video Auto Iris

**C-mt**

C Mount

**METAL**

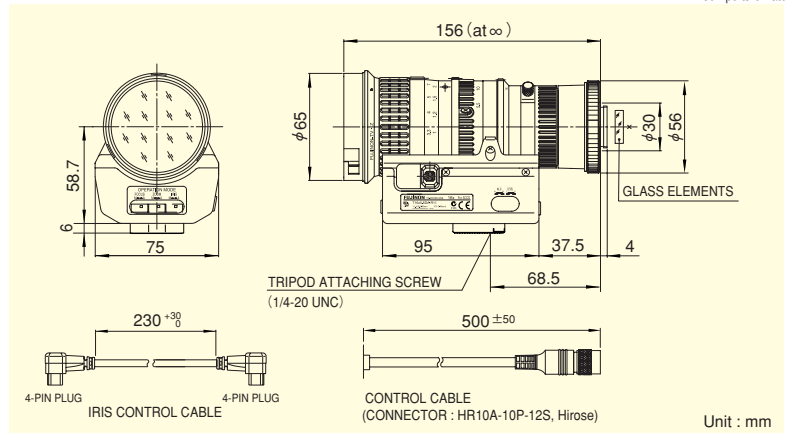
Metal Mount

**SERVO**

Full Servo

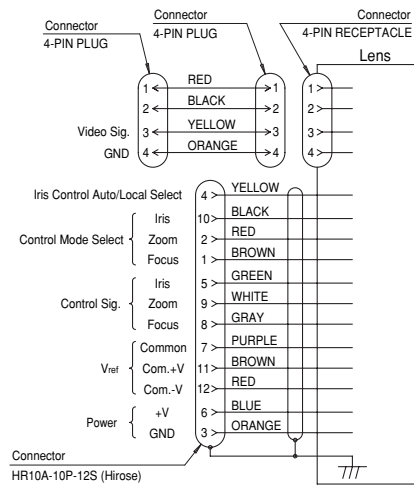
**F1.4**

Wide Aperture Rate



Focal Length (mm)		5.5~88 (16×)	
Iris Range		F1.4 ~ F16	
Operation	Zoom	Servo Control	
	Focus	Servo Control	
Angle Of View (H×V)	1/3"	WIDE	47°09' × 36°15'
		TELE	3°07' × 2°21'
Focusing Range (From Front Of The Lens)		∞ ~ 1	
Object Dimensions at M.O.D. (H×V) (mm)	1/3"	WIDE	819 × 614
		TELE	51 × 38
Back Focal Distance (in air) (mm)		14.83	
Exit Pupil Position (From Image Plane) (mm)		251	
Filter Thread (mm)		M62 × 0.75	
Mount		C	
Mass (g)		900	
Standard Accessories		Iris Control Cable	
Remarks		<ul style="list-style-type: none"> <li>• With Metal Mount</li> <li>• Zoom/Focus/Iris can be operated manually</li> </ul>	

### Wiring



### Accessories

#### Control Unit

Model	RMD-10	RMD-20	RMD-30
Operation	Zoom, Focus, Iris (Auto or Remote)		
Power Source	AC 90V~250V 50/60Hz		

\* Connection to the control box please refer to SYSTEM CHART (F-5)

#### Extension Cable

ECM-005M	5m
ECM-010M	10m
ECM-020M	20m
ECM-050M	50m
ECM-100M	100m

#### Cable Relay Unit

CCB-1

#### DC Power Source

CPS-401A-01A