



**For Security
Zoom**

Y12×6A-YE2

Applicable camera (model)

1	2/3	1/2	1/3	1/4
---	-----	-----	-----	-----

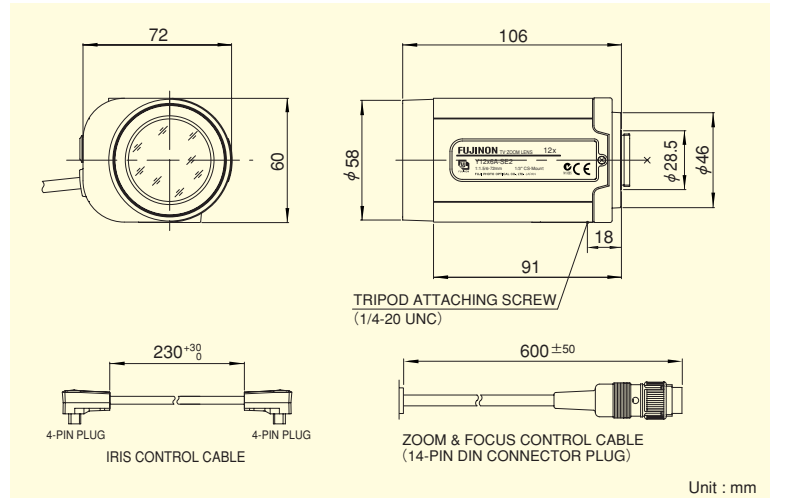
12x



*Photograph is a similar model.

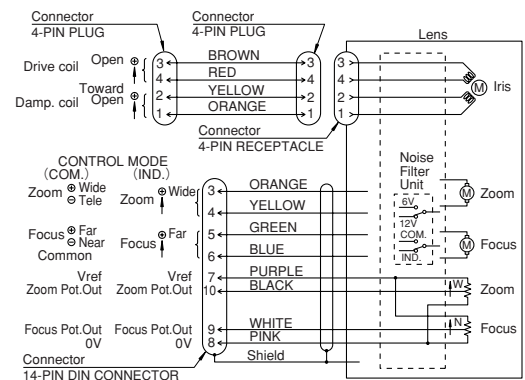
- Standard zoom lens with the excellent cost performance
- Multiple power supply (6V, ±6V, 12V, ±12V) supported, enabling the use of existing control systems
- Built-in potentiometer, supporting the preset-enabled specification
- Built-in ND filter of T400, supporting super sensitive cameras

ZOOM Zoom
 WIDE Wide Angle
 TELE Telephoto Long Focal
 MOTOR DRIVE Motor Drive
 DC DC Auto Iris
 CS-mt CS Mount
 METAL Metal Mount
PRESET Potentiometer
ND ND Filter

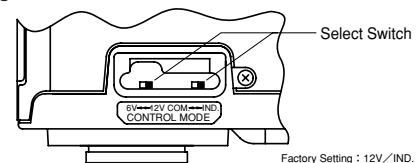


Focal Length (mm)		6~72 (12x)	
Iris Range		F1.5 ~ T400 (Equivalent to F400)	
Operation	Zoom	Motor Drive	
	Focus	Motor Drive	
	Iris	Auto (DC Type) (*1)	
Angle Of View (HxV)	1/3"	WIDE	43°36' × 33°24'
		TELE	3°49' × 2°52'
	1/4"	WIDE	33°24' × 25°22'
		TELE	2°52' × 2°09'
Focusing Range (From Front Of The Lens) (m)		∞ ~ 1.3	
Object Dimensions at M.O.D. (HxV) (mm)	1/3"	WIDE	1003 × 753
		TELE	84 × 63
	1/4"	WIDE	752 × 565
	TELE	63 × 47	
Back Focal Distance (in air) (mm)		11.69	
Exit Pupil Position (From Image Plane) (mm)		-6028	
Filter Thread (mm)		M55 × 0.75	
Mount		CS	
Mass (g)		350	
Coil Resistance		Drive Coil	180Ω
		Damping Coil	720Ω
Current Consumption		24mA (Max.) at DC 4V	
Standard Accessories		Iris Control Cable	
Remarks		• With Metal Mount (*1) When power is turned off, iris will automatically be closed.	

Wiring



Control Mode



Controller output	Select switch position
6V	6V/IND.
±6V	6V/COM.
12V	12V/IND.
±12V	12V/COM.

Accessories

Close-up Lens

Product Name	CL3355 (M55×0.75mm fc=333mm)	CL10055 (M55×0.75mm fc=1000mm)		
Imaging Scope (mm)	333~250	1000~500		
Camera Image Size Range	1/3" 1/4"	1/3" 1/4"		
Object Dimensions (mm)	TELE 1/3"	17×13	TELE 1/3"	37×27
	1/4"	13×10	1/4"	27×21
	WIDE 1/3"	203×152	WIDE 1/3"	436×327
	1/4"	152×114	1/4"	327×245