



**For Security
Vari-Focal**

MP⁺
MEGA
PIXELS

YV2.1×2.8SR4A-SA2

Applicable camera (model)

1 2/3 1/2 1/3 1/4

2.1×



New!

VARI
Vari-Focal

WIDE
Wide Angle

3 Mega
For Megapixel
Camera

**Day~
Night**
Day & Night

DC
DC Auto Iris

CS-mt
CS Mount

METAL
Metal Mount

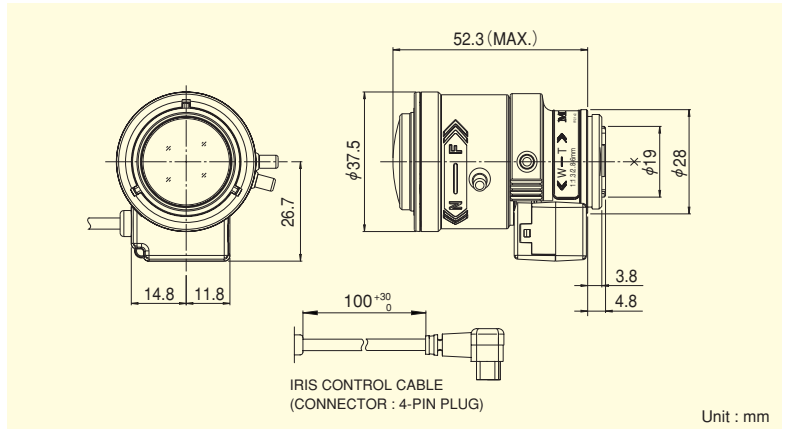
ND
ND Filter

230
Long Cable

AT
Aspherical Lens

F1.3
Wide Aperture Rate

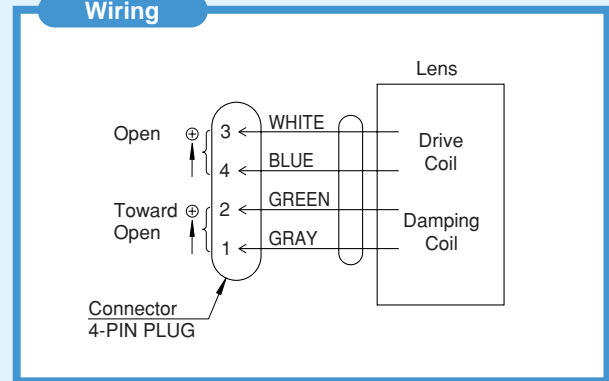
- High image-quality monitoring with optical performance supporting 3 megapixels.
- Advanced design engineering and special optic glass adopted, best suited for color, Black and White and Day and Night cameras.
- WIDE 2.8mm, achieving a horizontal field angle of 100 degrees (when used on 1/3 cameras).
- Designed to maximize optical performance with high-accuracy aspheric lens, low-dispersion glass, and high refractive-index glass.
- Built-in ND filter of T360, supporting high sensitivity cameras.



MEGAPIXEL VARI-FOCAL LENSES MP⁺

| | | | |
|---|-------|---|------------------|
| Focal Length (mm) | | 2.8~6 (2.1×) | |
| Iris Range | | F1.3 ~ T360 (Equivalent to F360) | |
| Operation | Zoom | Manual | |
| | Focus | Manual | |
| | Iris | Auto (DC Type) (*1) | |
| Angle Of View (H×V) | 1/3" | WIDE | 101°11' × 74°10' |
| | | TELE | 46°58' × 35°09' |
| | 1/4" | WIDE | 74°10' × 54°58' |
| | | TELE | 35°09' × 26°19' |
| Focusing Range (From Front Of The Lens) (m) | | ∞ ~ 0.3 | |
| Object Dimensions at M.O.D. (H×V) (mm) | 1/3" | WIDE | 758 × 470 |
| | | TELE | 270 × 197 |
| | 1/4" | WIDE | 470 × 323 |
| | | TELE | 197 × 145 |
| Back Focal Distance (in air) (mm) | | 9.03 | |
| Exit Pupil Position (From Image Plane) (mm) | | -222 | |
| Filter Thread (mm) | | — | |
| Mount | | CS | |
| Mass (g) | | 55 | |
| Coil Resistance | | Drive Coil | 190Ω |
| | | Damping Coil | 500Ω |
| Current Consumption | | 23mA (Max.) at DC 4V | |
| Remarks | | <ul style="list-style-type: none"> • With Metal Mount (*1) When power is turned off, iris will automatically close. YV2.1×2.8SR4A-SA2L : Long Cable Type (230mm) | |

Wiring



[Lens Image]

