





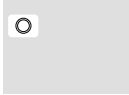




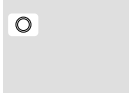




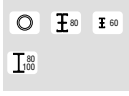









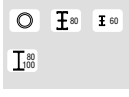

























A range of versatile clamps for fixing to pipe or I-beams.

**QUICK SELECTION GUIDE**

PRODUCT	CODE	DESCRIPTION	APPLICATION	DATAS	PAGE
	<b>C210</b>	Baby pipe clamp with 16mm stud		 0,62kg/1,37lb  0,006m/0,221ft  0,7kg/1,54lb	11.30
	<b>C100</b>	Junior pipe clamp with 28mm socket		 1,13kg/2,49lb  0,005m/0,177ft  1,18kg/2,601lb	11.40
	<b>C350</b>	Barrel clamp		 1,00kg/2,20lb  0,0000m/0,000ft  000kg/000lb	11.50
	<b>C339</b>	Grab clamp		 1,20kg/2,64lb  0,007m/0,274ft  1,2kg/2,64lb	11.60
	<b>C339UH</b>	Grab clamp with universal head		 1,95kg/4,30lb  0,009m/0,246ft  2,43kg/5,35lb	11.70
	<b>C339LE</b>	Grab clamp with lifting eye		 1,40kg/3,08lb  0,006m/0,237ft  1,70kg/3,75lb	11.80
	<b>C339SP</b>	Grab clamp with spinning pulley		 1,65kg/3,63lb  0,006m/0,209ft  1,80kg/3,96lb	11.90
	<b>C339BB</b>	Grab clamp with 16mm bushing		 1,35kg/2,97lb  0,006m/0,237ft  1,73kg/3,81lb	11.100
	<b>FF3276</b>	Safety steel cable Ø 2mm - length 35cm		 0,06kg/0,132lb  0,0007m/0,0247ft  0,06kg/0,132lb	11.110
	<b>FF3870</b>	Safety steel cable Ø 2,5mm - length 70cm		 0,08kg/0,176lb  0,0007m/0,0247ft  0,08kg/0,176lb	11.110
	<b>FF3871</b>	Safety steel cable Ø 4mm - length 70cm		 0,1kg/0,22lb  0,0007m/0,0247ft  0,1kg/0,22lb	11.110

**C210**



**Baby pipe clamp with 16 mm stud**

Clamping range encompasses pipe from 10 mm to 55 mm diameter.



material: rugged gravity cast aluminium



finish: black powder smooth RAL 9005



weight: 0,62 kg  
1,37 lb



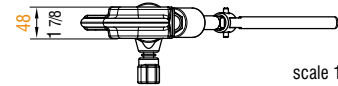
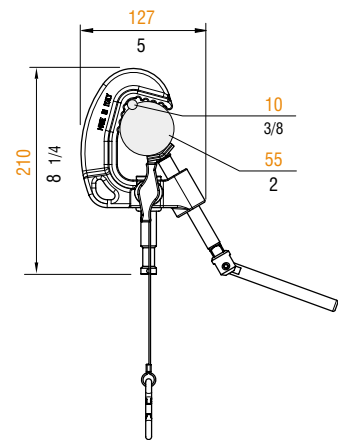
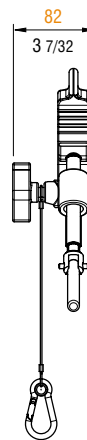
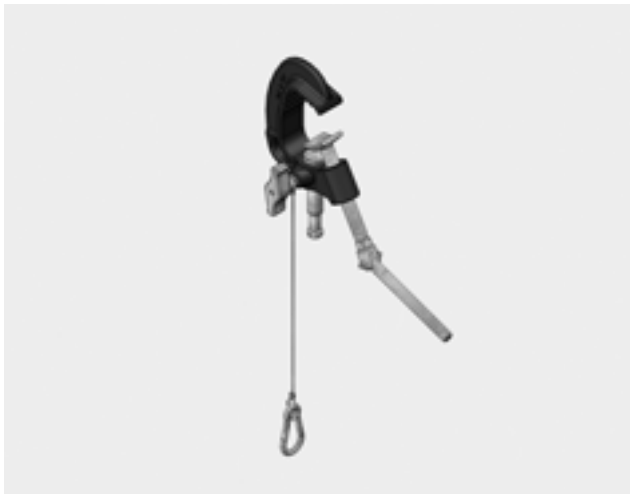
volume: 0,006 cu m  
0,211 cu ft



max. load: 100 kg  
220 lb



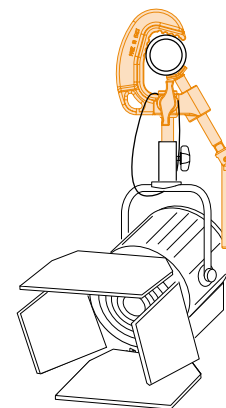
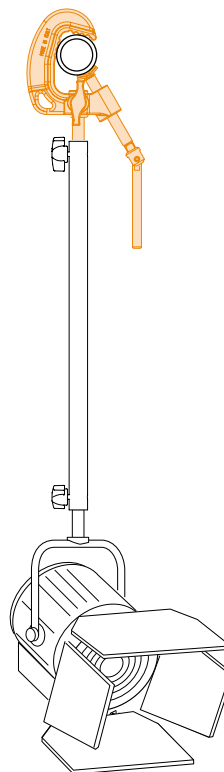
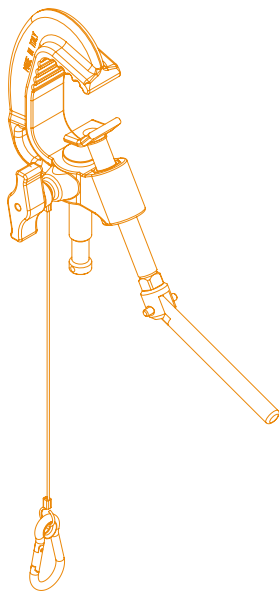
weight: 0,7 kg  
1,54 lb



scale 1:7,5

11

**APPLICATIONS**



Metric measurements should be taken as reference. Imperial values have been calculated from metric and rounded to nearest 1/32 inch.   
**IMPORTANT:** installation must be carried out by qualified personnel and in accordance with the safety regulations of the country/region of installation.

**C100**



Junior pipe clamp with 28 mm socket

Clamping range encompasses pipe from 20 mm to 55 mm diameter.



material: rugged gravity cast aluminium



finish: black powder smooth RAL 9005



weight: 1,13 kg  
2,49 lb



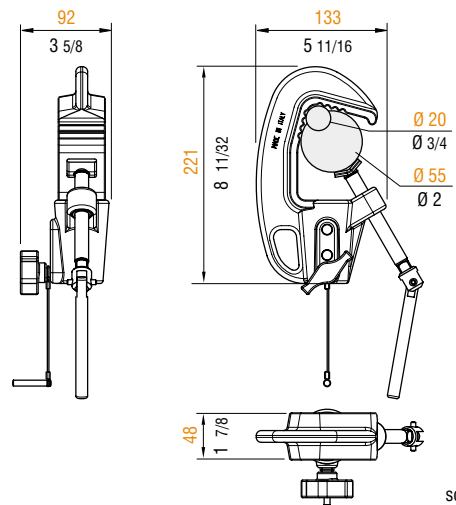
volume: 0,005 cu m  
0,177 cu ft



max. load: 250 kg  
550 lb

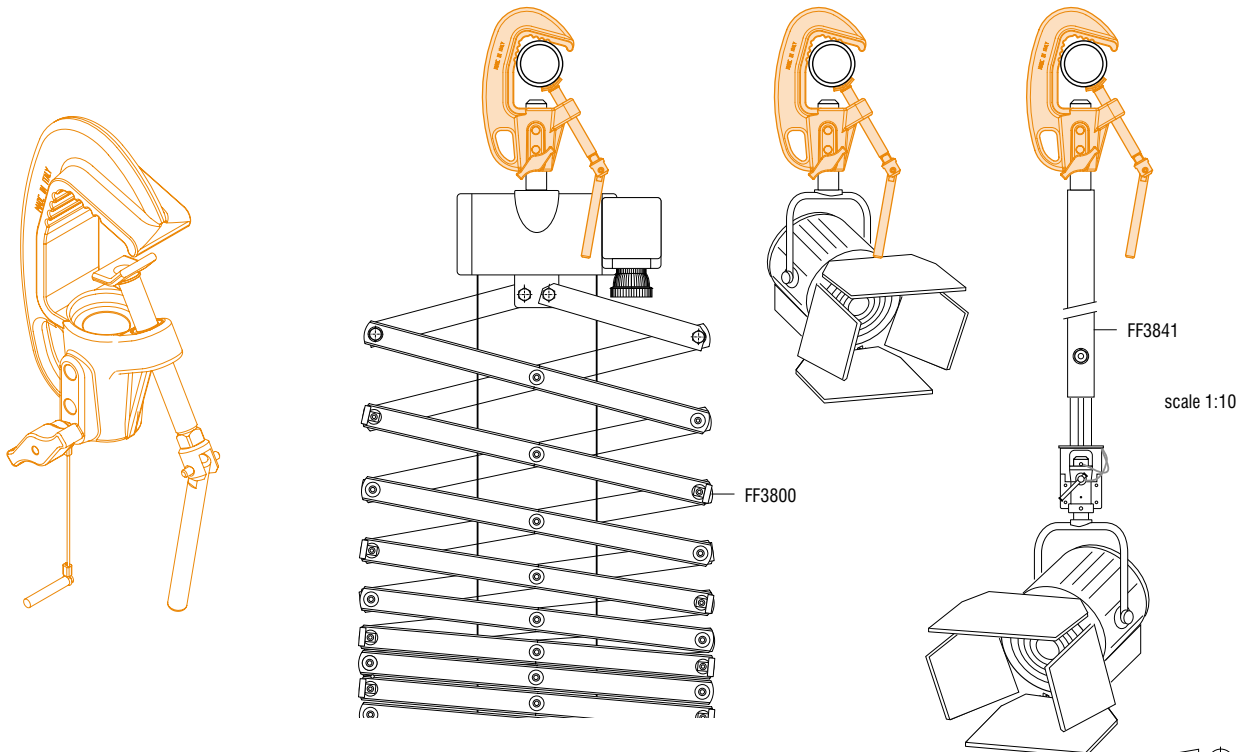


weight: 1,18 kg  
2,601 lb



11

**APPLICATIONS**



Metric measurements should be taken as reference. Imperial values have been calculated from metric and rounded to nearest 1/32 inch. **IMPORTANT:** installation must be carried out by qualified personnel and in accordance with the safety regulations of the country/region of installation.

**C350**



**Barrel clamp**

Works on diameters from 48 mm to 50 mm  
5/8" (16mm) and 1 1/8"(28mm) female attachments.

material: rugged gravity cast aluminium

finish: black powder smooth RAL 9005

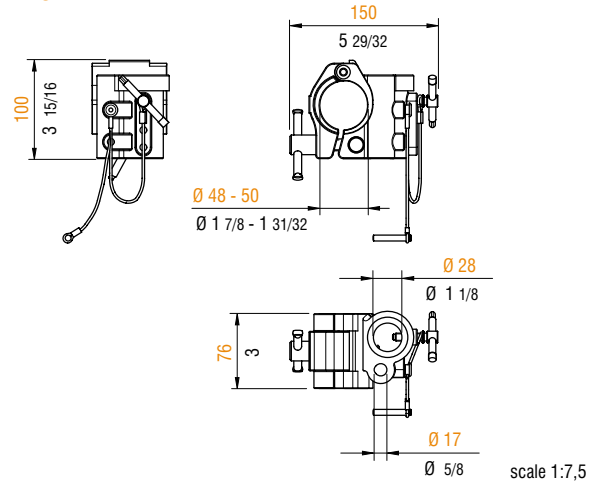
weight: 1,00 kg  
2,20 lb

volume: 0,004 cu m  
0,141 cu ft

max. load: 100/300 kg\*  
220/660 lb\*

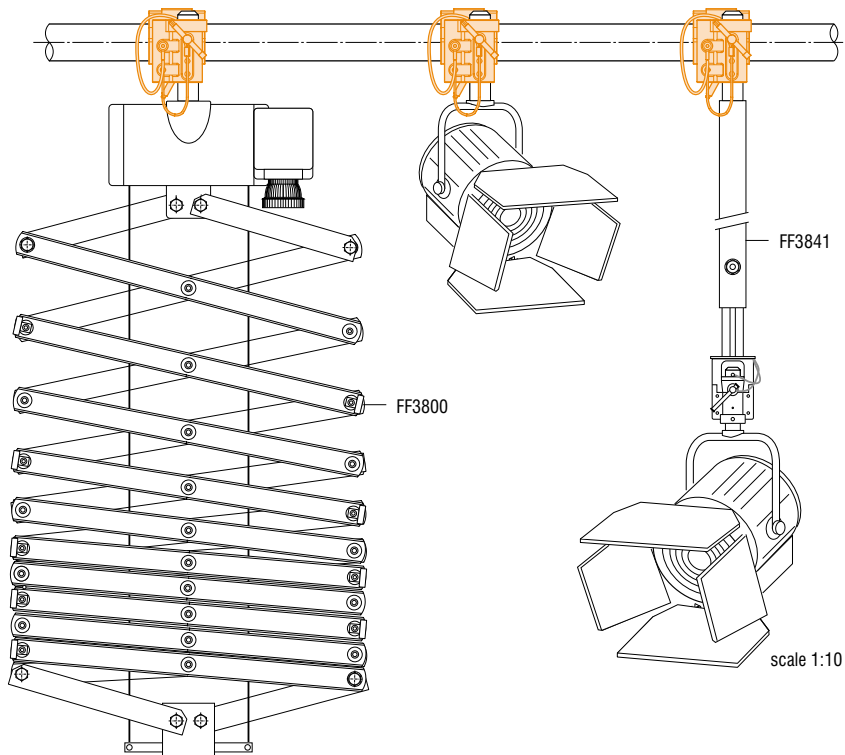
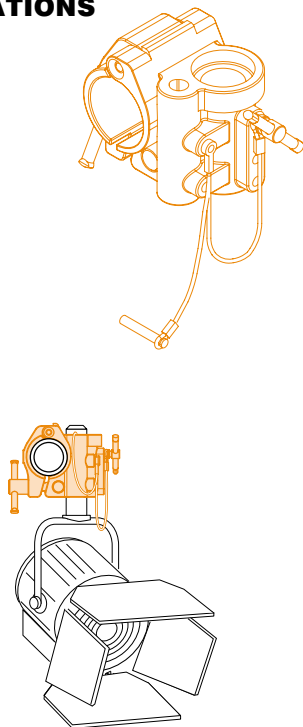
weight: 1,11 kg  
0,245 lb

\* 100 kg - 220 lb on 16 mm attachment  
300 kg - 660 lb on 28 mm attachment



11

**APPLICATIONS**



Metric measurements should be taken as reference. Imperial values have been calculated from metric and rounded to nearest 1/32 inch.   
 IMPORTANT: installation must be carried out by qualified personnel and in accordance with the safety regulations of the country/region of installation.

**C339**



60

80

80  
100

Grab clamp

Supplied without attachment, but with a 12,5 mm hole for custom fixings.



material: steel



finish: tropicalized



weight: 1,20 kg  
2,64 lb



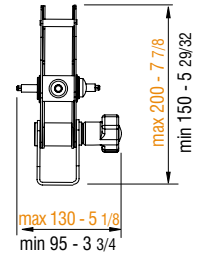
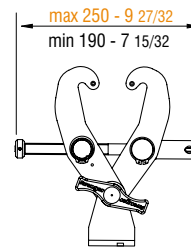
volume: 0,007 cu m  
0,247 cu ft



max. load: 150 kg  
330 lb

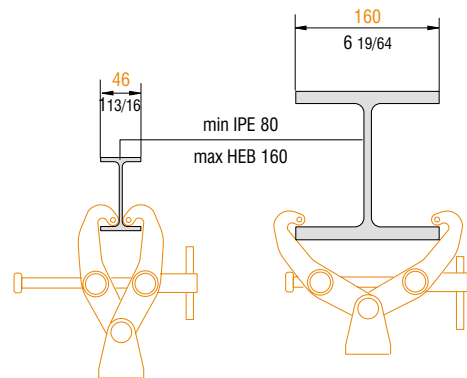
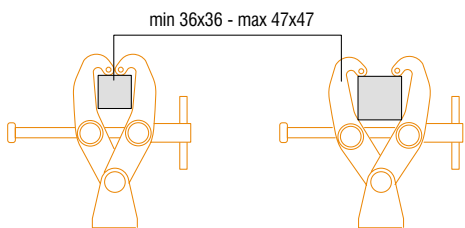
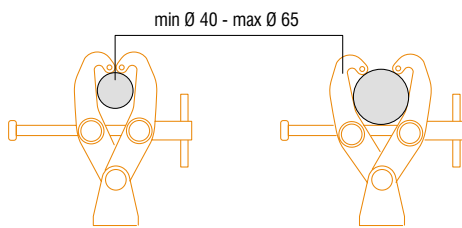


weight: 1,2 kg  
2,64 lb



scale 1:7,5

**APPLICATIONS**



**C339UH**



60

80

80  
100

**Grab clamp with universal head**

Provided with 1 1/8" and 5/8" female and 5/8" male attachment.  
Head not rotating.

material: body: steel  
part: aluminium

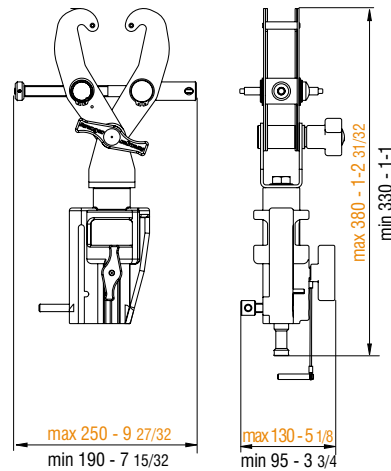
finish: body: tropicalized  
part: black powder smooth RAL 9005

weight: 1,95 kg  
4,30 lb

volume: 0,009 cu m  
0,246 cu ft

max. load: 75 kg  
165 lb

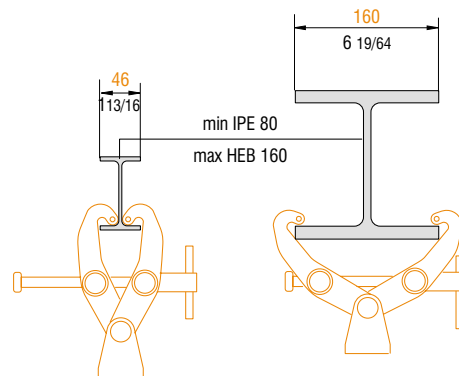
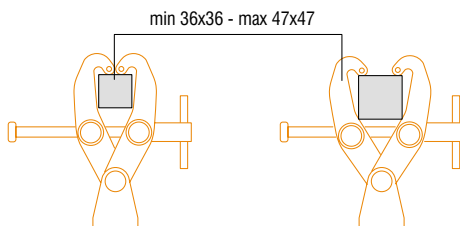
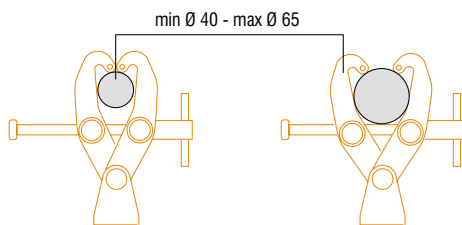
weight: 2,43 kg  
5,35 lb



scale 1:7,5

11

**APPLICATIONS**



Metric measurements should be taken as reference. Imperial values have been calculated from metric and rounded to nearest 1/32 inch. IMPORTANT: installation must be carried out by qualified personnel and in accordance with the safety regulations of the country/region of installation.

**C339LE**



⌈ 60



⌈ 80



⌈ 80  
100

Grab clamp with lifting eye



material: steel



finish: tropicalized

Complete with standard lifting eye for chain or rope fixture.



weight: 1,40 kg  
3,08 lb



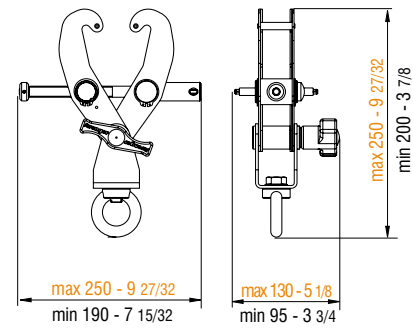
volume: 0,006 cu m  
0,237 cu ft



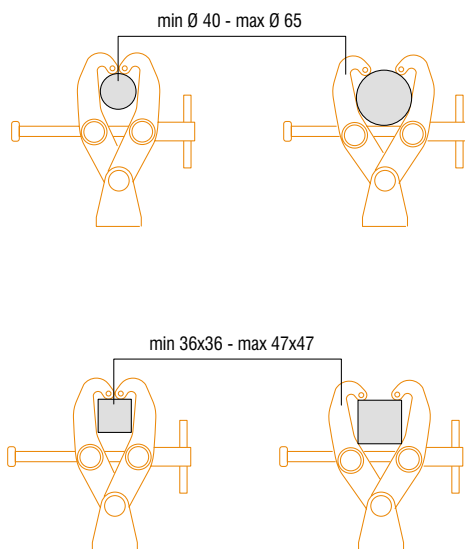
max. load: 150 kg  
330 lb



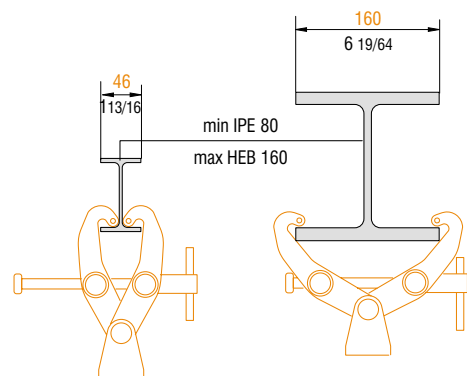
weight: 1,70 kg  
3,75 lb



**APPLICATIONS**



scale 1:7,5





**C339SP**



60

80

80  
100

**Grab clamp with spinning pulley**

Fitted with a 100 mm diameter pulley to offer a quick and robust hanging point for TV and theatre scenery.

material: body: steel  
part: black nylon

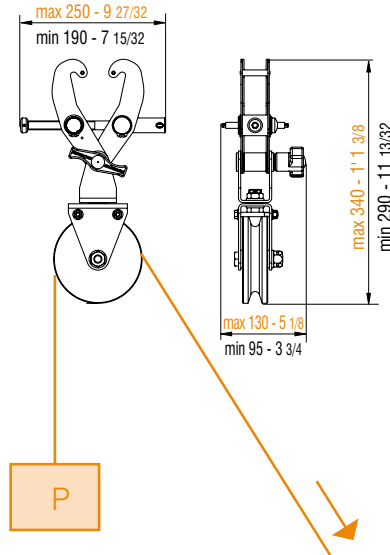
finish: tropicalized

weight: 1,65 kg  
3,63 lb

max. load: 150 kg  
330 lb

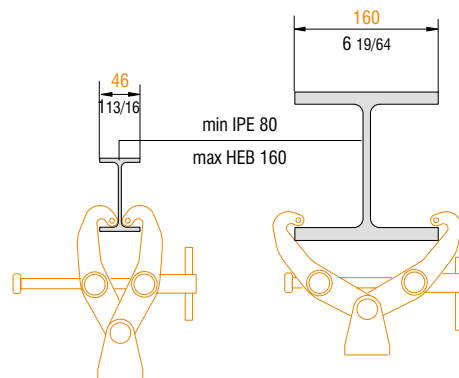
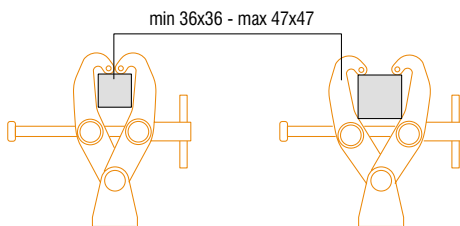
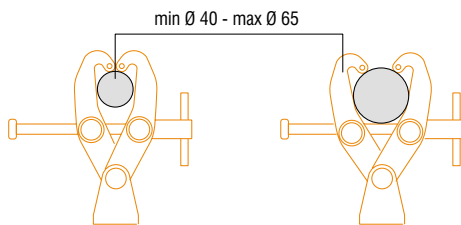
volume: 0,006 cu m  
0,209 cu ft

weight: 1,80 kg  
3,96 lb



scale 1:7,5

**APPLICATIONS**



Metric measurements should be taken as reference. Imperial values have been calculated from metric and rounded to nearest 1/32 inch.   
IMPORTANT: installation must be carried out by qualified personnel and in accordance with the safety regulations of the country/region of installation.

**C339BB**



60



80



80  
100

Grab clamp with 16 mm bushing

Comes with 16 m bushing complete with push button for extra-safe attachment.



material: body : steel  
part: aluminium



finish: body: tropicalized  
part: black powder smooth RAL 9005



weight: 1,35 kg  
2,97 lb



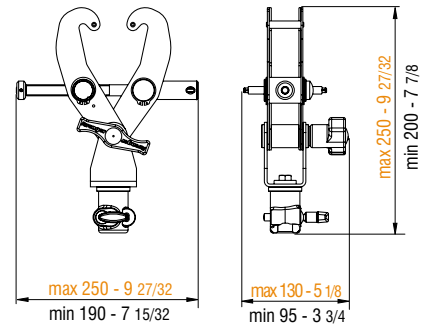
volume: 0,006 cu m  
0,237 cu ft



max. load: 50 kg  
110 lb

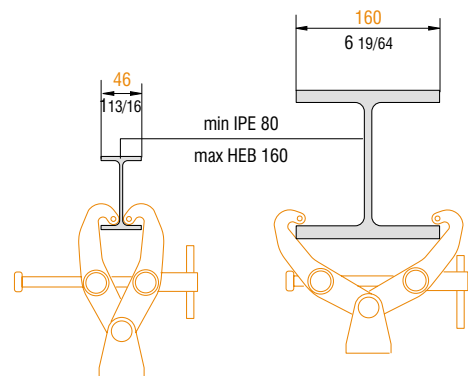
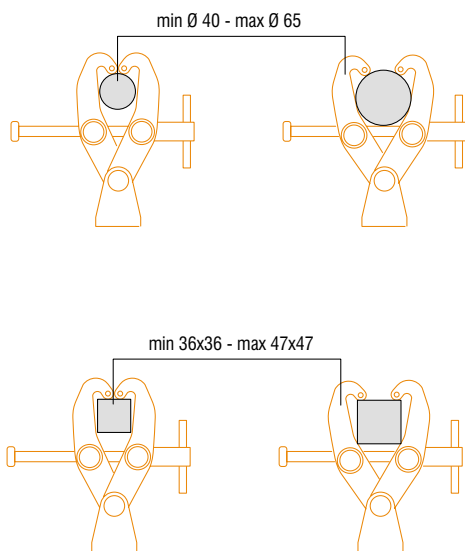


weight: 1,73 kg  
3,81 lb




scale 1:7,5

**APPLICATIONS**



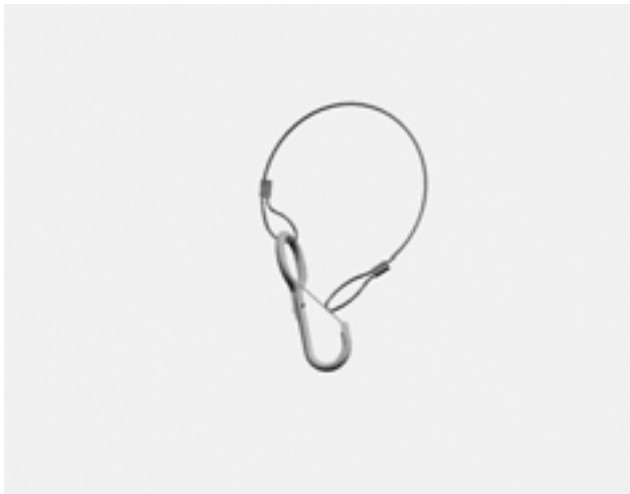
**SAFETY STEEL CABLE**

FF3276: Ø 2 mm - length 35 cm  
 FF3870: Ø 2,5 mm - length 70 cm  
 FF3871: Ø 4 mm - length 70 cm

 material: steel

 finish:

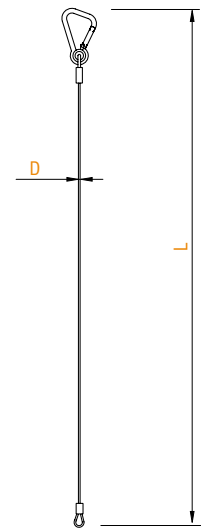
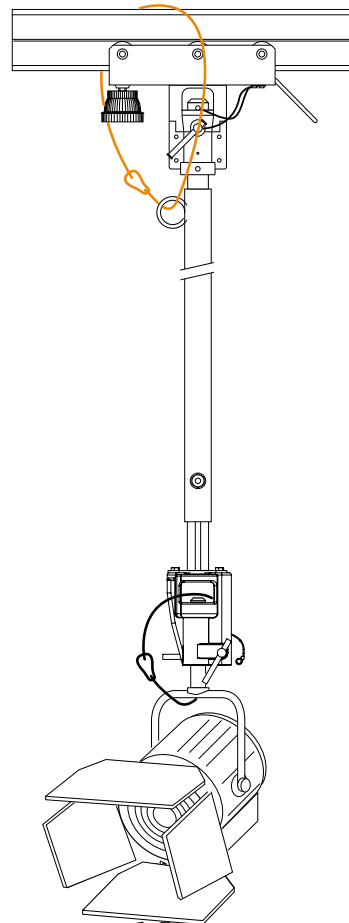
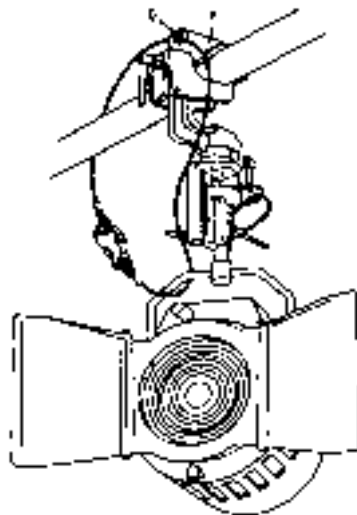
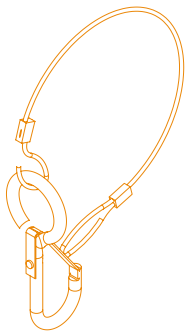
Used between luminaires and suspension for extra safety



	FF3276	FF3870	FF3871
<b>D</b> diameter: mm	2	2,5	4
inch	5/64	2/32	5/32
<b>L</b> width: mm	350	700	700
inch	14	27 1/2	27 1/2
<b>W</b> weight: kg	0,06	0,08	0,1
lb	0,132	0,176	0,22
<b>T</b> max. load: kg	20	40	85
lb	44	88	187
<b>V</b> volume: cu m	0,0007	0,0007	0,0007
cu ft	0,0247	0,0247	0,0247
<b>W</b> weight: kg	0,06	0,08	0,1
lb	0,132	0,176	0,22

11

**APPLICATIONS**



scale 1:10

Metric measurements should be taken as reference. Imperial values have been calculated from metric and rounded to nearest 1/32 inch.  
**IMPORTANT:** installation must be carried out by qualified personnel and in accordance with the safety regulations of the country/region of installation.

[go to index](#)

**CLAMPS**

