

# IDK2513-v2.1

## Large Interview Kit Package



### What's included

- 2 x ID500-v2 LED Light
- 1 x iLED312-v2 LED Light
- 3 x Light Stands
- 1 x IBG-500-3L Light Kit bag

### QuickStart Guide:

- ID500-v2 LED Light QSG
- iLED312-v2 LED Light QSG

Checked by

### CONDITIONS OF WARRANTY SERVICE

- Free service for one year from the day of purchase if the problem is caused by manufacturing errors.
- The components and maintenance service fee will be charged if the warranty period has expired.

Free Service will not be Provided in the Following Situations: (\* Even if the product is still within the warranty period.)

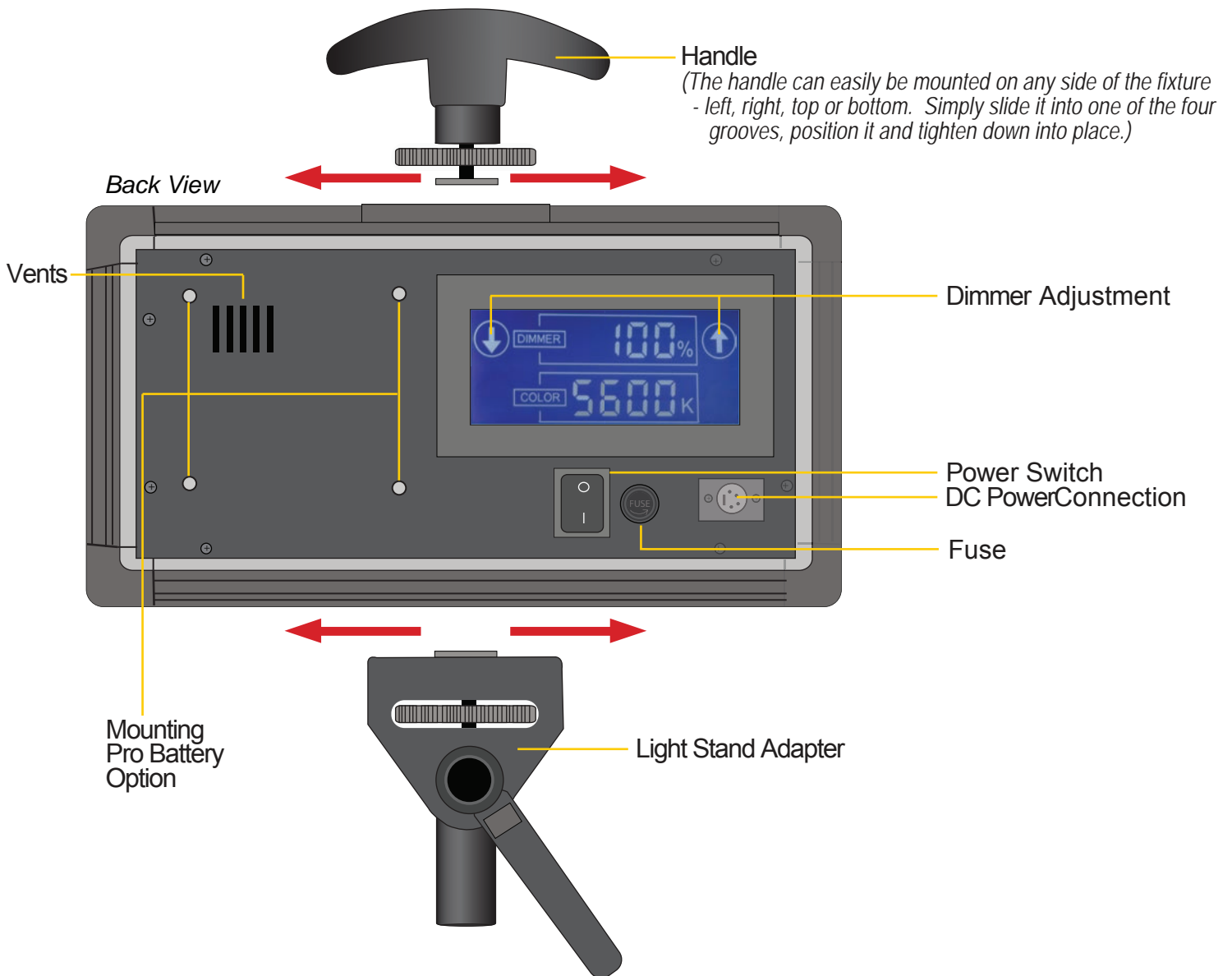
- Damage caused by abuse or misuse, dismantling, or changes to the product not made by the company.
- Damage caused by natural disaster, abnormal voltage, and environmental factors etc.

# ID500-v2

## 500 LED Studio Light QUICKSTART GUIDE

### GETTING STARTED

1. Connect the included AC Adapter to power the ID500-v2 light.
2. Turn the light on / off with the Power Switch.
3. Control the intensity of the light by adjusting the Dimmer up and down on the LCD control panel.
4. The ID500-v2 can also be powered by pro battery (optional accessories).



# ID500-v2

## 500 LED Studio Light QUICKSTART GUIDE

### Put it Where You Want It

The ID500-v2 comes with a movable and detachable Light Stand Adapter and Handle allowing you to mount your light either horizontally or vertically.



### SPECIFICATIONS

Operating Volts:	12v - 14.4v
Wattage:	30w
Brightness:	2.55Klux/50cm
Color Temperature:	5600K
Dimension:	13.8" x 7.5" x 2.7"
Weight (lbs):	5.8

ikan

[www.ikancorp.com](http://www.ikancorp.com)

713-272-8822

# ID500-v2

## 500 LED Studio Light QUICKSTART GUIDE



Operation  
Indicator  
On/Off

### Remote Control Button Functions

Press and hold (A) for 5 seconds to sync remote control to light

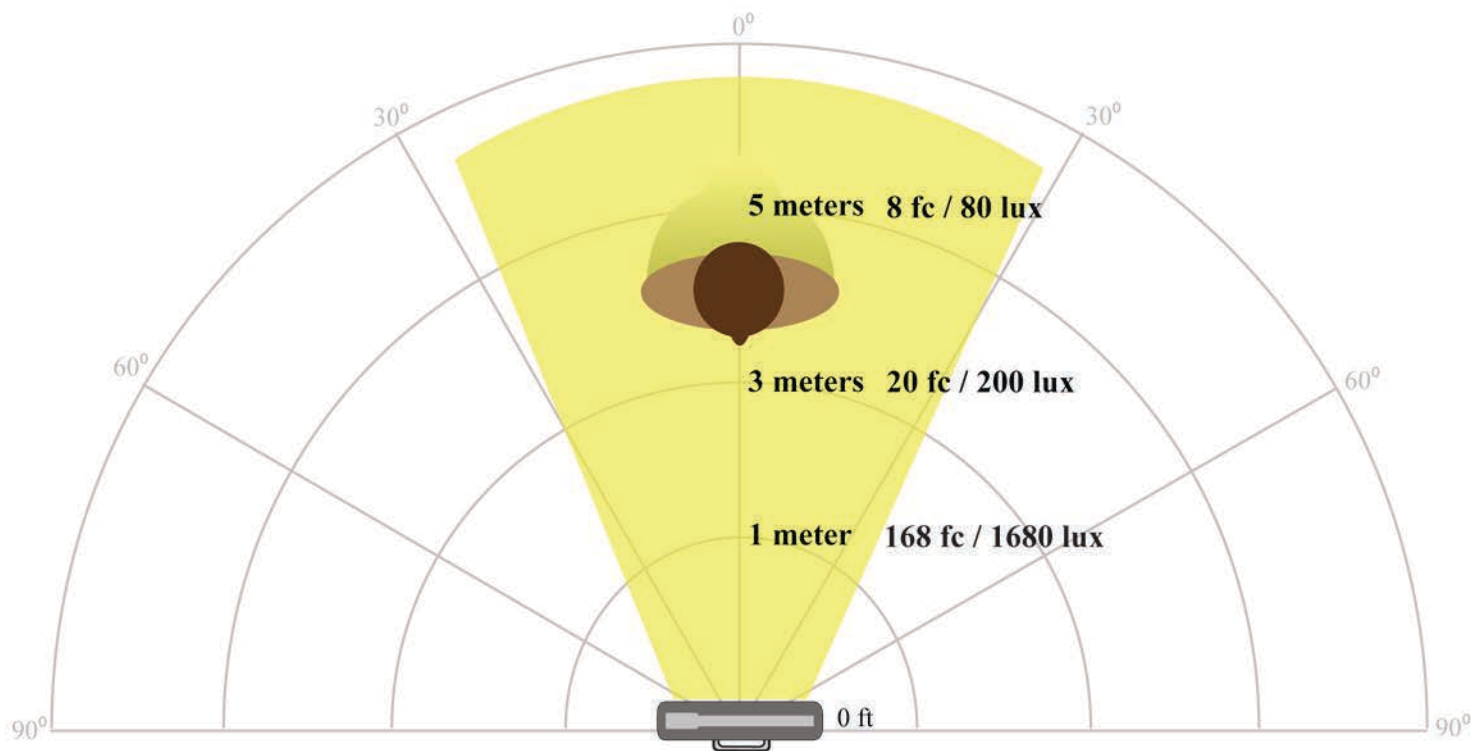
Press (A) to power On/Off

Hold down (C) to increase light intensity

Hold down (D) to decrease light intensity

Press and hold (B) for 5 seconds to enable/disable sound

### ID 500 LUX Drop Off



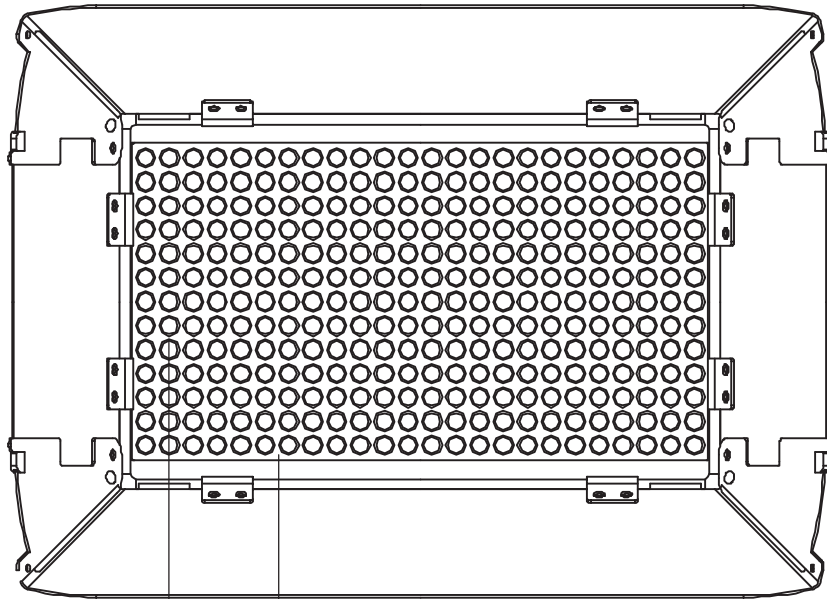
ikan

[www.ikancorp.com](http://www.ikancorp.com)

713-272-8822

# iLED312-v2

## On-Camera Dual Color LED Light QUICKSTART GUIDE



① Wide Angle LEDs

② Diffusion Filter



**Warning:**

- Do not block the vents or look directly at the LED light while its on.
- The body of the light might get hot, after prolong use.

①

②

③ Release Knob

④ Battery Release

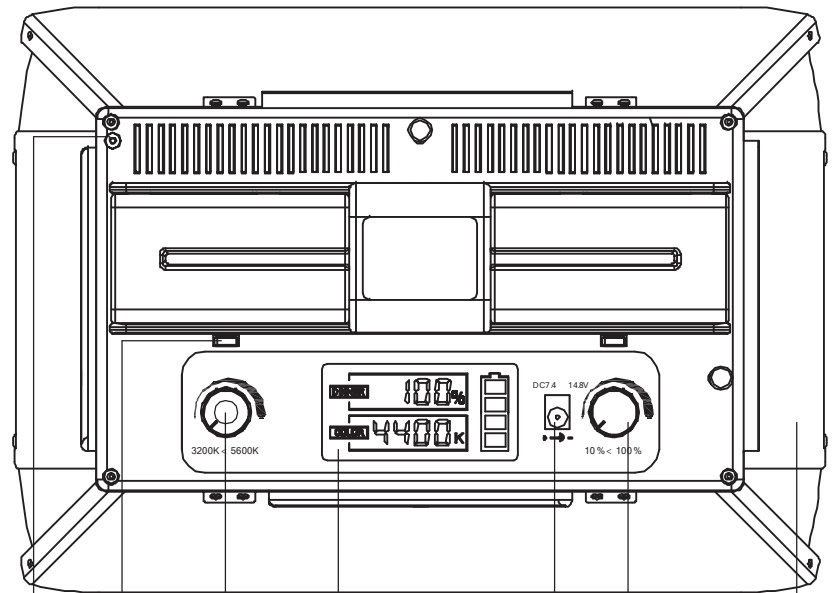
⑤ Variable Color Temperature

⑥ LCD Display

⑦ DV Power

⑧ Built-In Dimmer

⑨ Barndoors



③

④

⑤

⑥

⑦

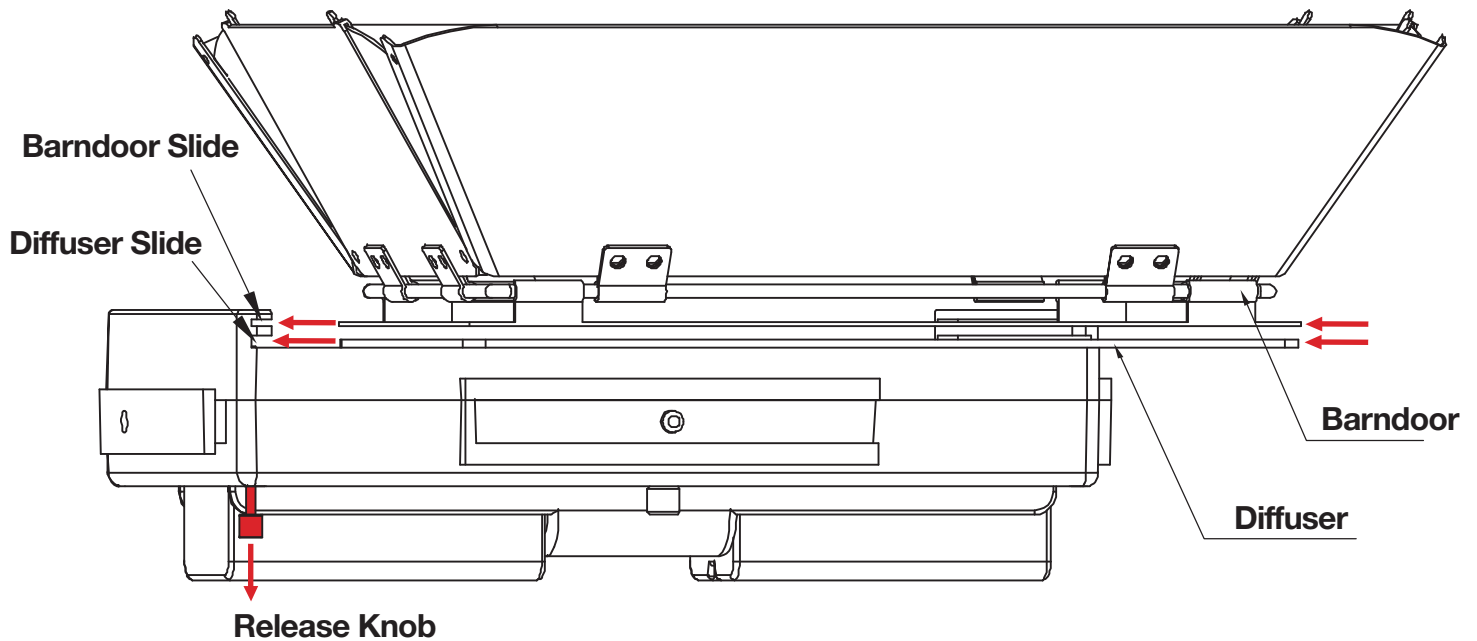
⑧

⑨

ikan

# iLED312-v2

## On-Camera Dual Color LED Light QUICKSTART GUIDE

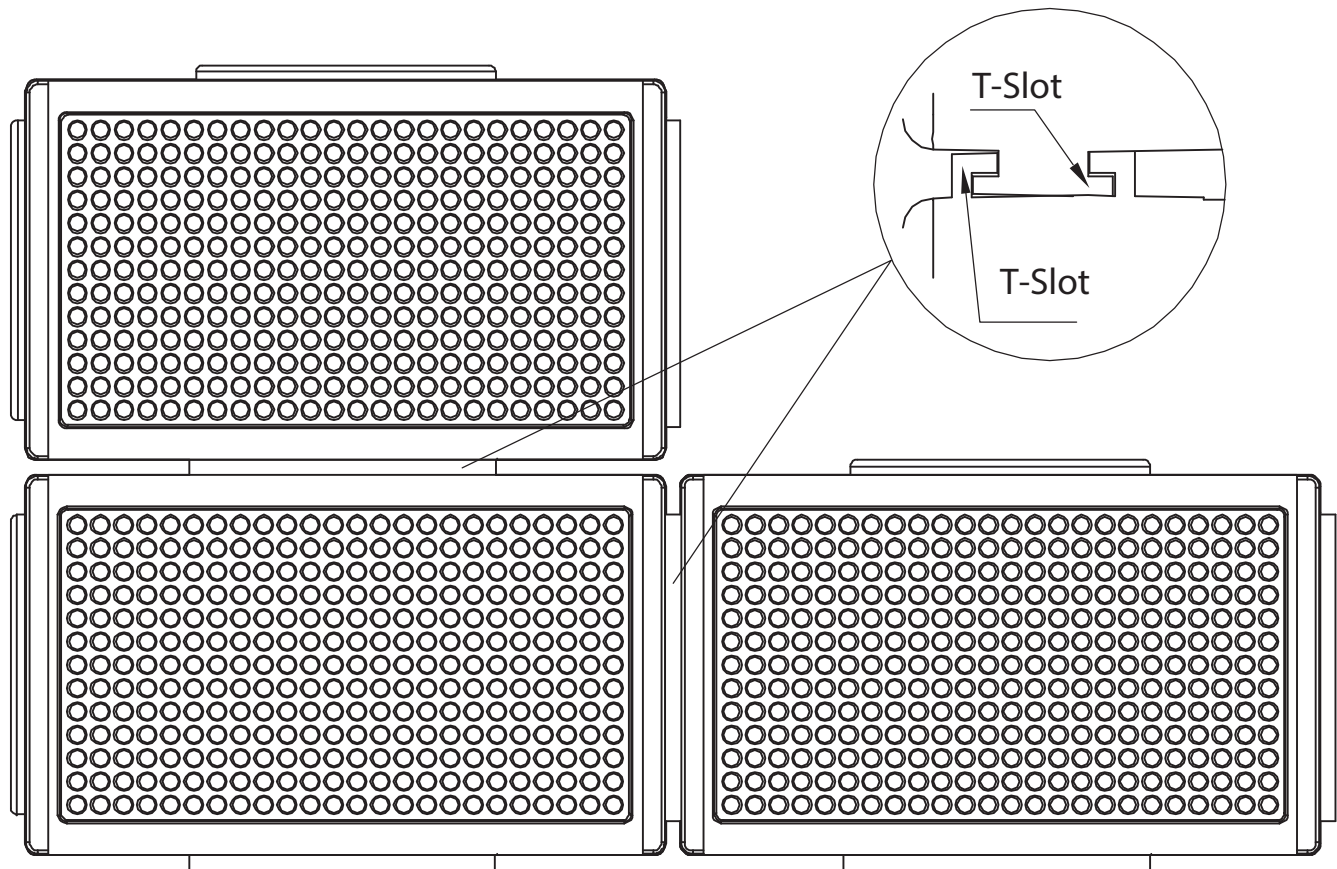


### ATTACHING THE BARNDOOR

The iLED312-v2 light can attach quickly and easily to barndoors. Simply slide the barndoor along the diffuser slide until it locks into place. To release, pull down the knob and slide the barndoor out.

# iLED312-v2

## On-Camera Dual Color LED Light QUICKSTART GUIDE



### T-SLOT

The iLED312-v2 light features T-slots on both the top and bottom and on the sides for easy attachment of multiple 312 lights.

#### SPECIFICATIONS:

Bulb Type: 312 LEDs

Brightness: 6800 lux / 50cm

Color Temperature: 3200 K - 5600 K

Voltage: 7.4V-14.8V

Weight (kg): 0.35

Dimension (mm): 190 x 115 x 35

ikan

[www.ikancorp.com](http://www.ikancorp.com)

713-272-8822