

iLED312-v2-KIT

iLED312-v2 Three Point Light Kit QUICKSTART GUIDE



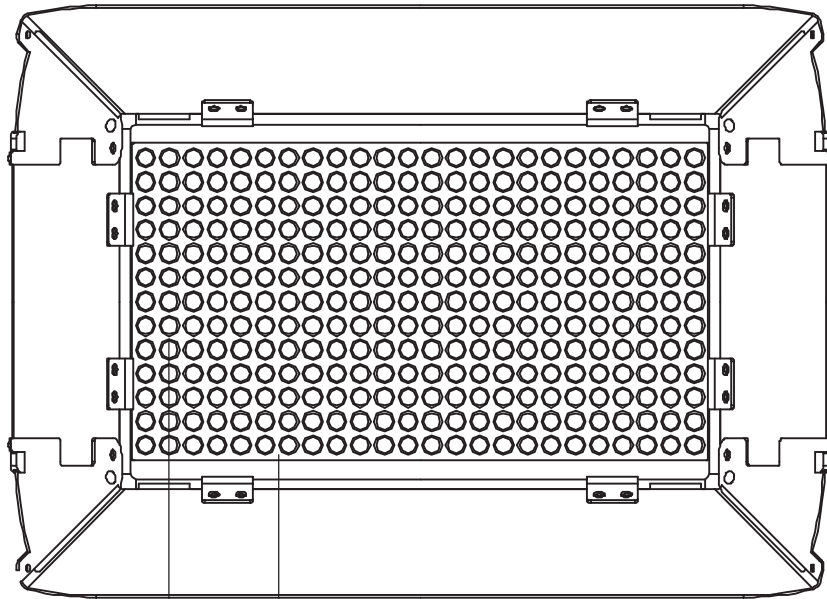
What's included

- 3 x iLED312-v2 LED Lights w/ Barndoors
- 3 x Light Stands
- 3 x Light Diffusers
- 3 x A/C Power Adapters
- 6 x Sony "L" Series Style DV Batteries
- 3 x Dual Battery Chargers
- 1 x Carrying Case

Checked by

iLED312-v2

On-Camera Dual Color LED Light QUICKSTART GUIDE



- ① Wide Angle LEDs
- ② Diffusion Filter

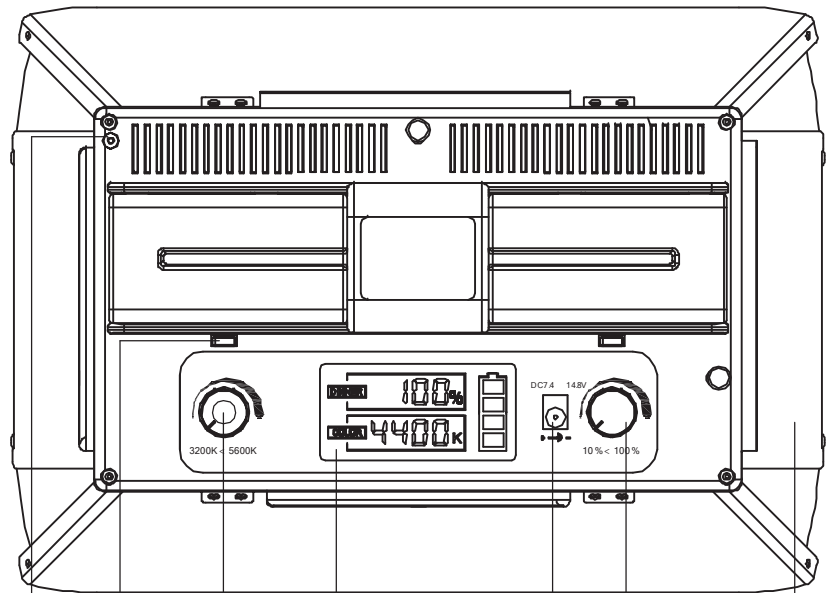


Warning:

- Do not block the vents or look directly at the LED light while its on.
- The body of the light might get hot, after prolong use.

- ①
- ②

- ③ Release Knob
- ④ Battery Release
- ⑤ Variable Color Temperature
- ⑥ LCD Display
- ⑦ DV Power
- ⑧ Built-In Dimmer
- ⑨ Barndoors

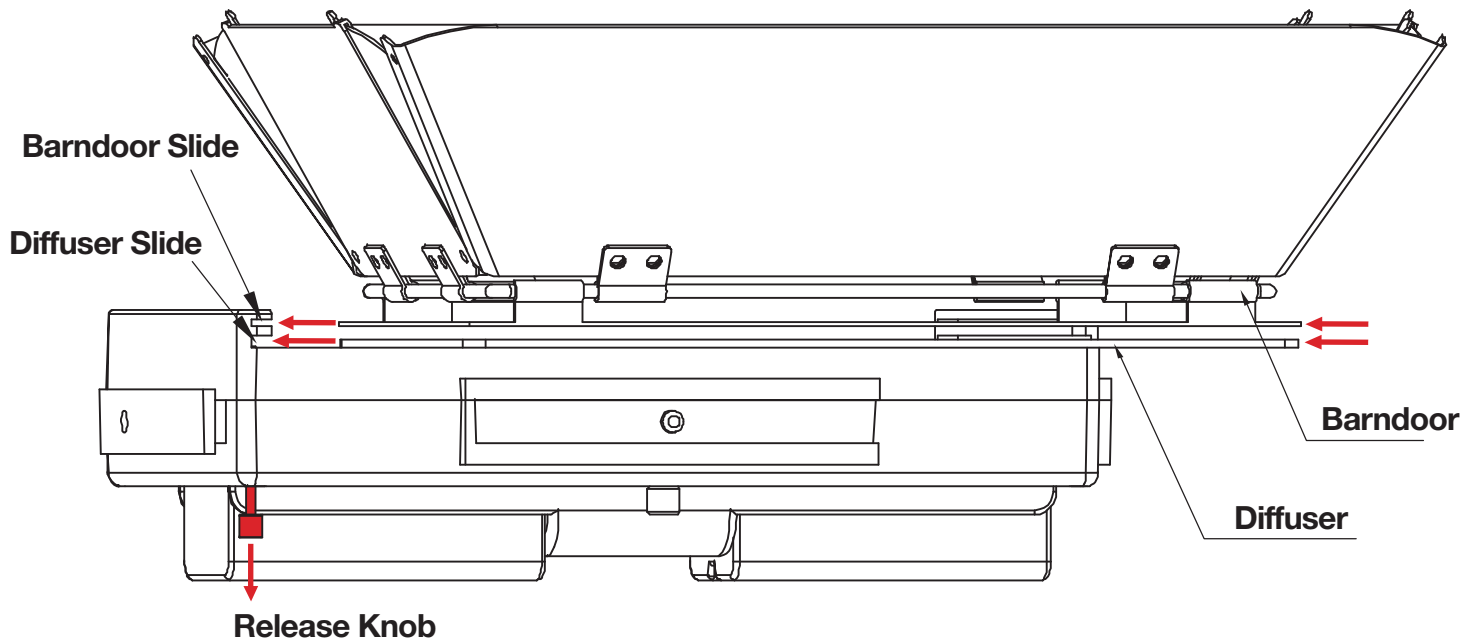


- ③
- ④
- ⑤
- ⑥
- ⑦
- ⑧
- ⑨

ikan

iLED312-v2

On-Camera Dual Color LED Light QUICKSTART GUIDE

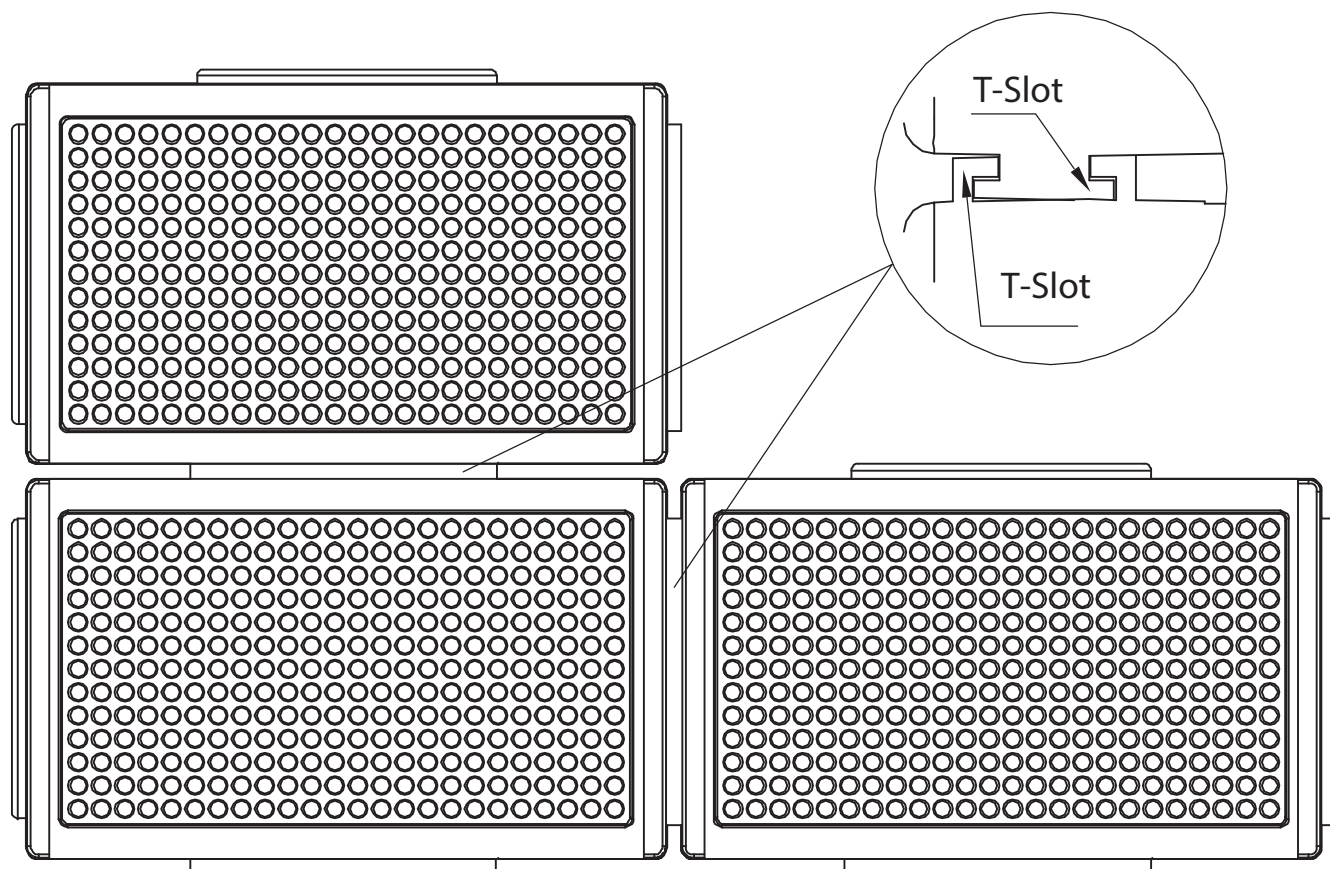


ATTACHING THE BARNDOOR

The iLED312-v2 light can attach quickly and easily to barndoors. Simply slide the barndoor along the diffuser slide until it locks into place. To release, pull down the knob and slide the barndoor out.

iLED312-v2

On-Camera Dual Color LED Light QUICKSTART GUIDE



T-SLOT

The iLED312-v2 light features T-slots on both the top and bottom and on the sides for easy attachment of multiple 312 lights.

SPECIFICATIONS:

Bulb Type: 312 LEDs

Brightness: 6800 lux / 50cm

Color Temperature: 3200 K - 5600 K

Voltage: 7.4V-14.8V

Weight (kg): 0.35

Dimension (mm): 190 x 115 x 35

ikan

www.ikancorp.com

713-272-8822