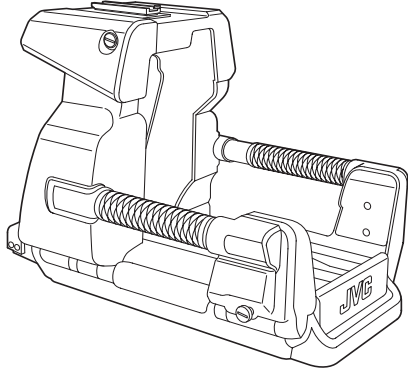


JVC

STUDIO ADAPTER

KA-790G

INSTRUCTIONS



LST1095-001A

Please read the following before getting started:

Thank you for purchasing this JVC product. Before operating this unit, please read the instructions carefully to ensure the best possible performance.

Information for Users on Disposal of Old Equipment [European Union]



Attention:

This symbol is only valid in the European Union.

This symbol indicates that the electrical and electronic equipment should not be disposed as general household waste at its end-of-life. Instead, the product should be handed over to the applicable collection point for the recycling of electrical and electronic equipment for proper treatment, recovery and recycling in accordance with your national legislation.

By disposing of this product correctly, you will help to conserve natural resources and will help prevent potential negative effects on the environment and human health which could otherwise be caused by inappropriate waste handling of this product. For more information about collection point and recycling of this product, please contact your local municipal office, your household waste disposal service or the shop where you purchased the product. Penalties may be applicable for incorrect disposal of this waste, in accordance with national legislation.

(Business users)

If you wish to dispose of this product, please visit our web page <http://www.jvc.eu> to obtain information about the take-back of the product.

[Other Countries outside the European Union]

If you wish to dispose of this product, please do so in accordance with applicable national legislation or other rules in your country for the treatment of old electrical and electronic equipment.

Dear Customer,

This apparatus is in conformance with the valid European directives and standards regarding electromagnetic compatibility and electrical safety.

European representative of Victor Company of Japan, Limited is:
JVC Technical Services Europe GmbH
Postfach 10 05 04
61145 Friedberg
Germany

Sehr geehrter Kunde, sehr geehrte Kundin,

dieses Gerät stimmt mit den gültigen europäischen Richtlinien und Normen bezüglich elektromagnetischer Verträglichkeit und elektrischer Sicherheit überein.

Die europäische Vertretung für die Victor Company of Japan, Limited ist:
JVC Technical Services Europe GmbH
Postfach 10 05 04
61145 Friedberg
Deutschland

FOR USE IN CHINA ONLY

《电子信息产品污染控制管理办法》规定的表示内容

关于环保使用期限



环保使用期限

●此图标表示了中国《电子信息产品污染控制管理办法》规定的环保使用期限。只要用户在使用本产品时遵守注意事项中的各项规定，从制造日期开始到此图标标出的期限为止（环保使用期限）既不会污染环境也不会产生对人体有害的物质。

关于产品中的有毒、有害物质

零件名称	有毒或有害物质、元素					
	铅 (Pb)	水银 (Hg)	镉 (Cd)	六价铬 (Cr6+)	多溴联苯 (PBB)	多溴二苯醚 (PBDE)
机箱	x	o	o	x	o	o
其他附件	x	o	o	x	o	o

o : 此零件中的每个均匀材料所含有的有毒、有害物质的量在SJ/T 11363-2006标准规定的范围之内。
x : 此零件中至少有一种均匀材料含有有毒、有害物质的量超过了SJ/T 11363-2006标准的规定。

Transportation

Do not drop or hit this unit against a hard object when transporting.

Maintenance

■ Wipe the external cabinet of the unit with a soft cloth. Do not wipe the body with benzene or thinner. Doing so may cause the surface to melt or turn cloudy. When it is extremely dirty, soak the cloth in a solution of neutral detergent, wipe the body with it, and then use a clean cloth to remove the detergent.

Specifications

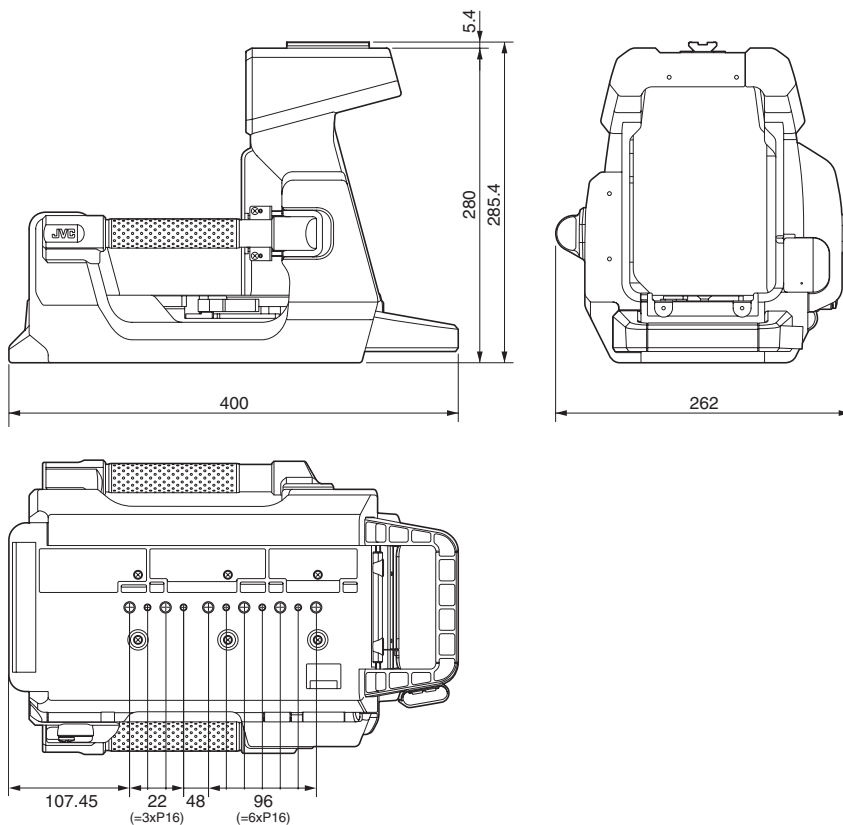
General

Mass	: Approx. 5.4 kg
Allowable operating temperature	: 0 °C to 40 °C (32 °F to 104 °F)
Allowable operating humidity	: 30 % RH to 80 % RH
Allowable storage temperature	: -20 °C to 60 °C (-4 °F to 122 °F)

Supplied Accessories

Instructions	1
Warranty Card (For USA and Canada)	1

Dimensional Outline Drawing (Unit: mm)



* The specifications and appearance of this product are subject to changes for further improvement without prior notice.

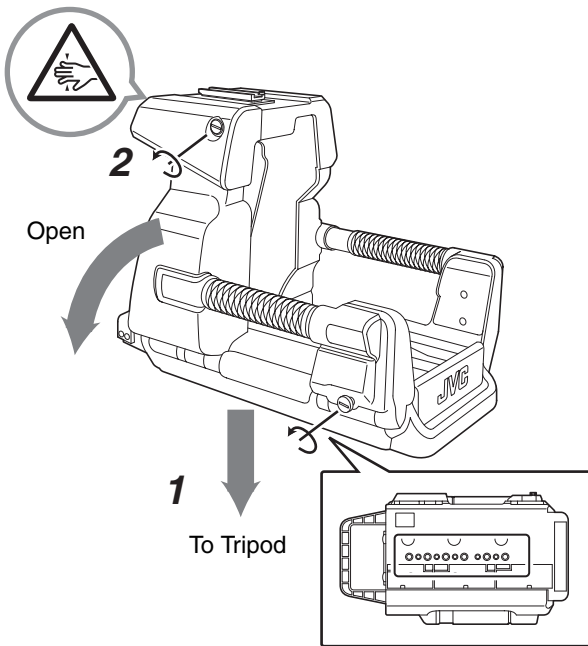
Installation

Memo :

- Other than when attaching or detaching the camera, be sure to tighten the two screws on the sides. It could be dangerous especially during transportation when it is more unstable. Make sure that the screws are fixed in place before transporting.
- Be careful not to get your fingers caught when opening and closing this unit.
- When transporting this unit by itself or when a camera is loaded, be sure to hold the bars on both sides of this unit. Do not hold the handle on the camera when transporting. This unit may fall off from the camera and cause injuries.

1 Mount this unit on your tripod using a suitable mounting hole.

2 Loosen the two screws on the sides and open this unit.

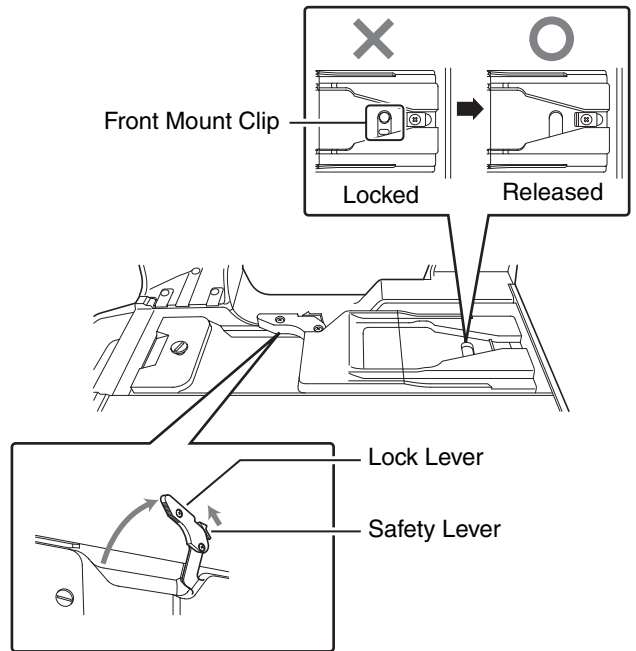


Note :

- For your safety, use a tripod that is able to withstand a load of 20 kg and above.

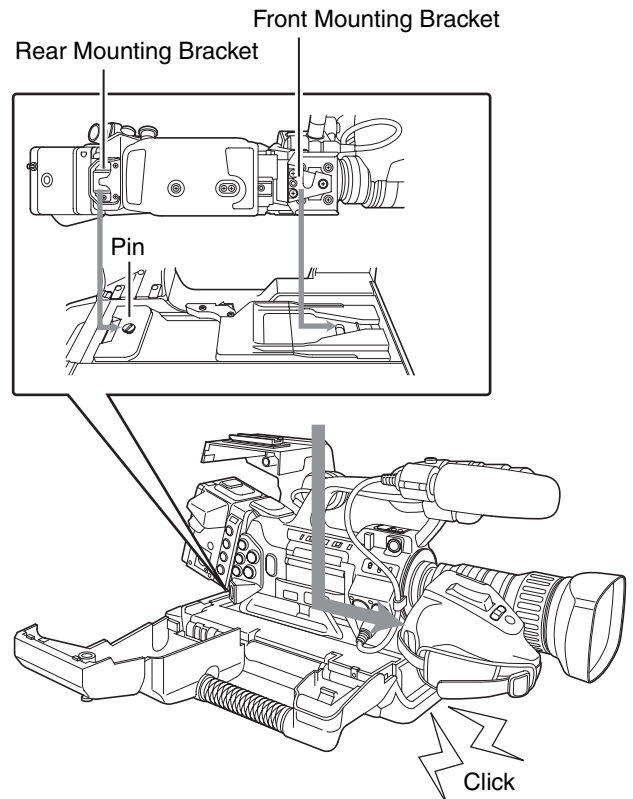
3 Check that the front mount clip is not sticking out.

If the clip is sticking out, pull the lock lever while pressing the safety lever to release the lock.



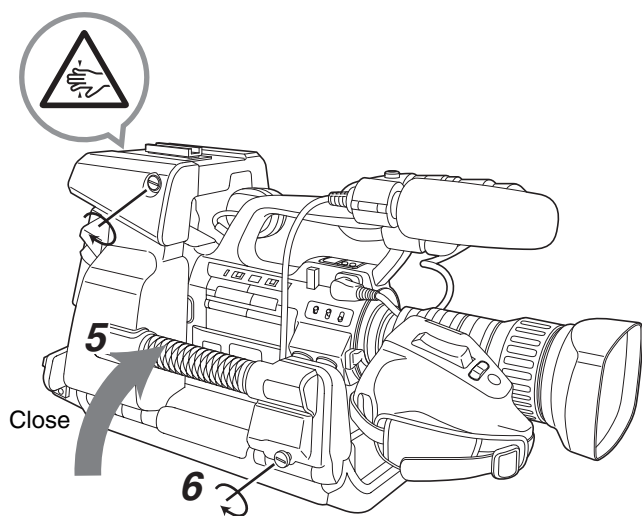
4 Align the mounting bracket with the pin position and slide the camera in.

Attach firmly until it clicks into place.



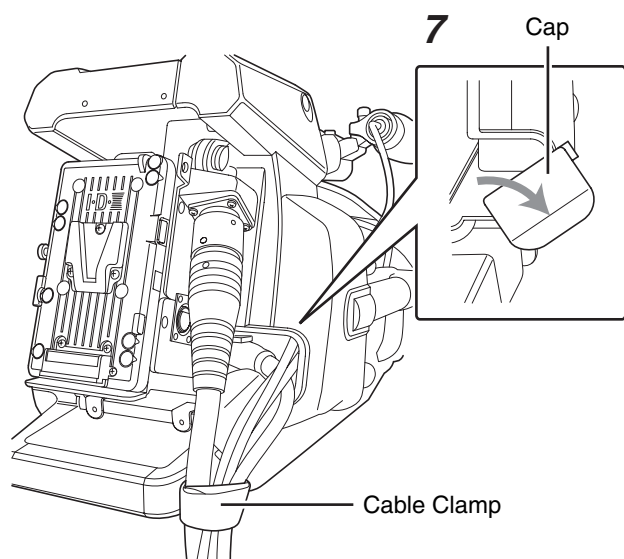
5 Connect the cables and close this unit.

6 Tighten the two screws on the sides firmly.

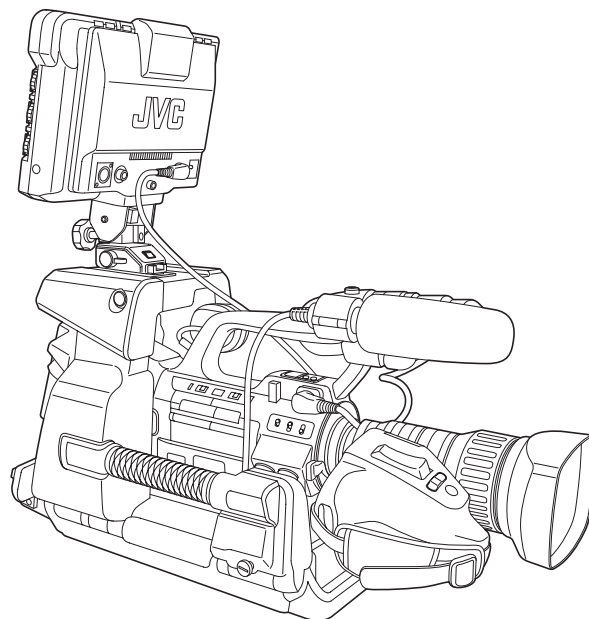


7 Bundle the cables.

If necessary, remove the cap and bundle the cables with a cable clamp.



8 Attach the VF-HP790G, accessories, etc.



Memo : _____
●For details, refer to the [INSTRUCTIONS] of VF-HP790G.