

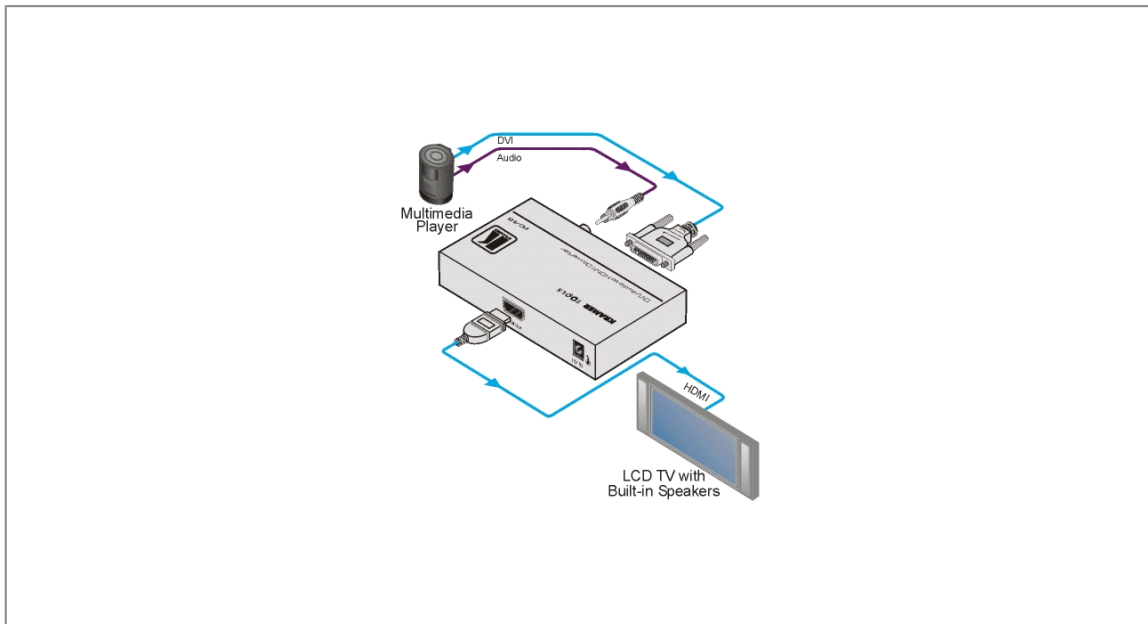


FC-48

DVI & S/PDIF Audio to HDMI Format Converter



The **FC-48** is a format converter for DVI-D video and S/PDIF audio signals. It converts the DVI and embeds the audio to an HDMI signal.





FC-48

FEATURES

- Max. Data Rate - 1.65Gbps.
- HDTV Compatible.
- HDCP Compliant.
- Input - DVI-D signal (on a DVI-I connector).
- Compact Kramer TOOLS™ - 3 units can be rack mounted side-by-side in a 1U rack space with the optional RK-3T rack adapter.

TECHNICAL SPECIFICATIONS

INPUT:	1 DVI-D, 1.2Vpp on a DVI Molex 24-pin female connector; DDC signal 5Vpp; 1 S/PDIF (digital audio) on an RCA connector.
OUTPUTS:	HDMI connector.
OPERATION FREQUENCY:	Supports up to 1.65Gbps.
COMPLIANCE WITH HDMI STANDARD:	Supports DVI 1.0, HDMI, and HDCP.
INDICATOR LED:	ON.
POWER SOURCE:	12V DC, 190mA.
DIMENSIONS:	12cm x 7.2cm x 2.4cm (4.73" x 2.83" x 0.95") W, D, H.
WEIGHT:	0.3kg (0.67lbs) approx.
ACCESSORIES:	Power supply, bracket installation kit.
OPTIONS:	RK-3T 19" rack adapter.