

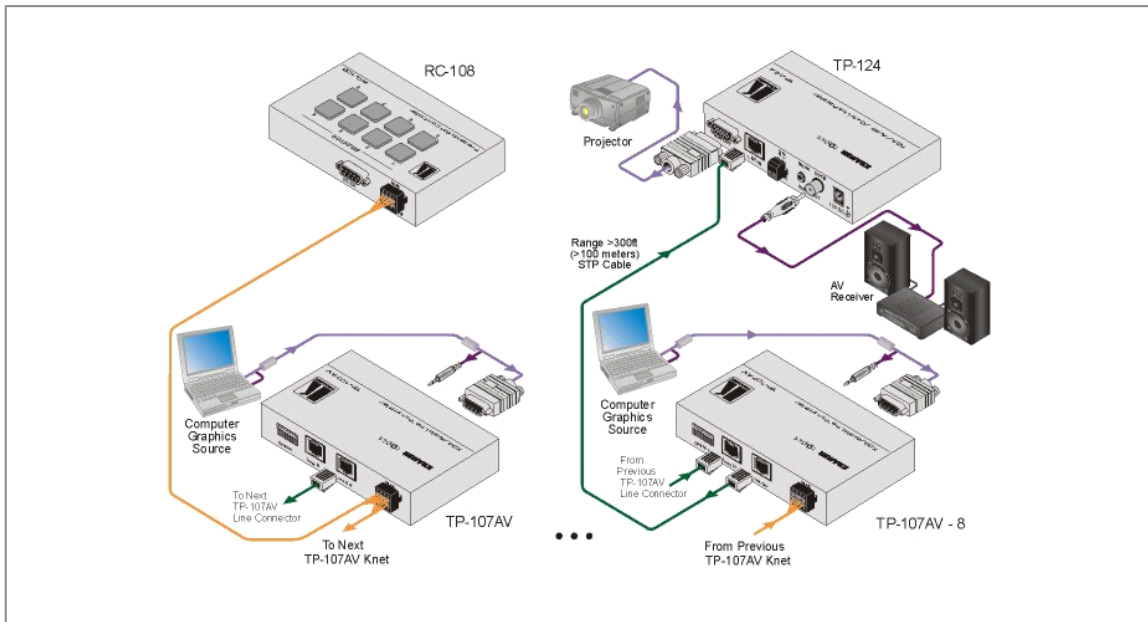


RC-108

8-Button Presentation Controller



The **RC-108** is a presentation controller for twisted pair transmitters. The unit can switch up to 8 sources that are interconnected in series through looping inputs to a single twisted pair receiver.





RC-108

FEATURES

- **System Interconnect** - Connects compatible twisted pair transmitters in series using looping inputs (and K-Net™ control to the RC-108) to a single twisted pair receiver. Multiple transmitters to a single receiver can be connected to a single RC-108 as long as the total number of transmitters does not exceed 8.
- **Compatible Models** - All transmitters must have a looping twisted pair input and K-Net control, for example, TP-107, TP-107AV and TP-107AVR.
- **Flexible Control** - Front panel, K-Net & RS-232.
- **K-Net Control Channel** - Power and control data provided over a single cable.
- **K-Net Selectable Termination.**
- **Desktop Size.**

TECHNICAL SPECIFICATIONS

CONTROLS: RS-485, RS-232.

DIMENSIONS: 12cm x 7.0cm x 2.4cm (4.7" x 2.7" x 1.0") W, D, H.

WEIGHT: 0.3kg (0.66lbs) approx.