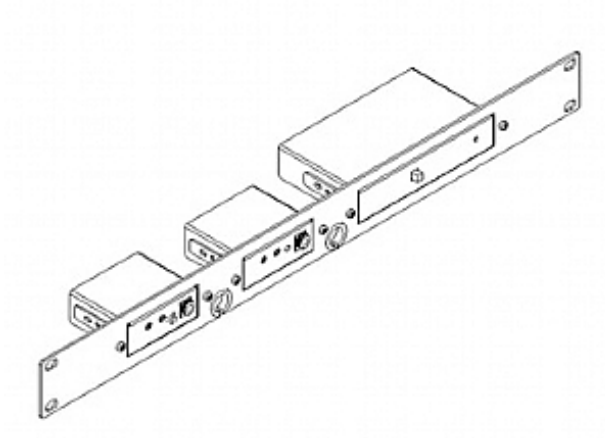




RK-1T2PT

19-inch Rack Adapter for TOOLS™ & Pico TOOLS™



19-inch rack adapter for mounting 1 Kramer TOOLS™ and 2 Kramer Pico TOOLS™ into a 1U rack space.



RK-1T2PT

FEATURES

- **Compatibility** - Models compatible with the RK-1T2PT are also compatible with racks: RK-4PT & RK-2T1PT (Pico TOOLS); RK-3T, RK-6T, RK-9T, RK-2T1PT & RK-T2SB (TOOLS).