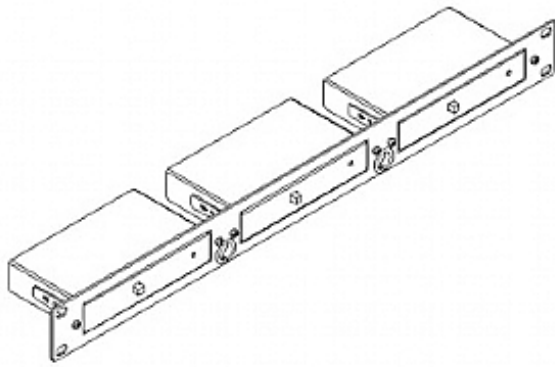




RK-3T

19-Inch Rack Adapter for TOOLS™



19-inch rack adapter for mounting 3 Kramer TOOLS™ into a 1U rack space.



RK-3T

FEATURES

- **Compatibility** - Models compatible with the RK-3T are also compatible with racks: RK-6T, RK-9T, RK-1T2PT, RK-2T1PT & RK-T2SB.