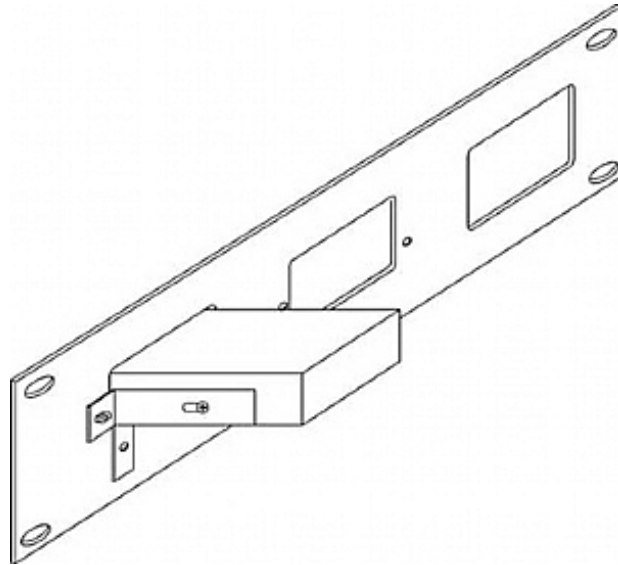




## **RK-SM**

19-Inch Rack Adapter for Selected Desktop Models

---



19-inch rack adapter for mounting 3 desktop models into a 2U rack space.



**KRAMER ELECTRONICS, Ltd.**  
[www.kramerelectronics.com](http://www.kramerelectronics.com)

RK-SM

---