



TP-120

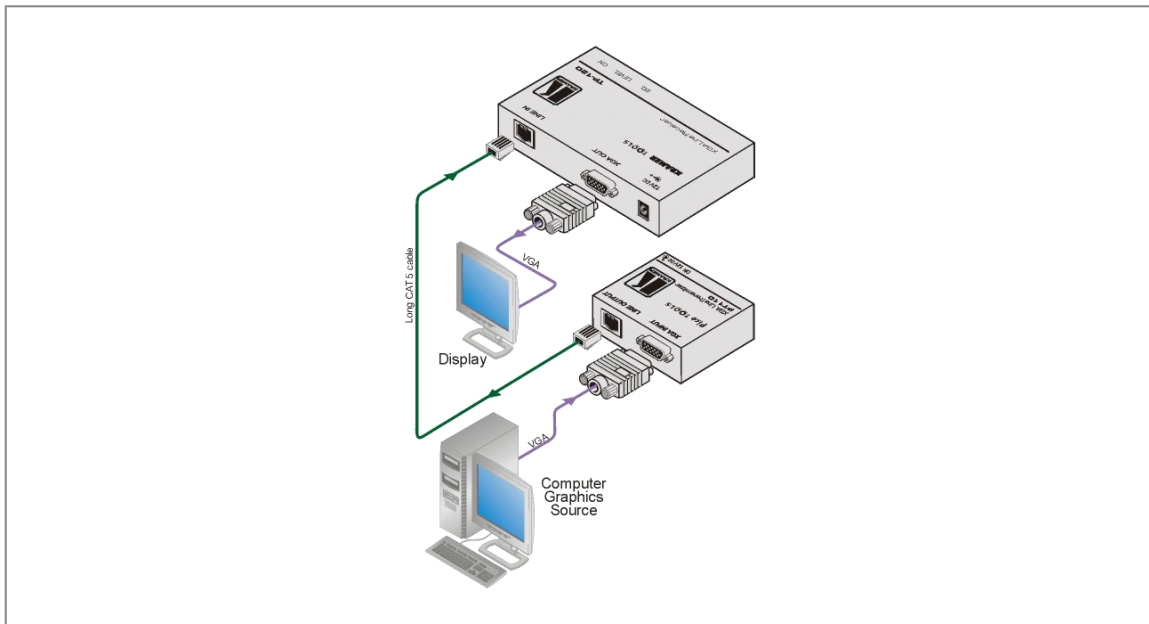
Computer Graphics Video over Twisted Pair Receiver



Compatible with HDTV component video signals when used with a breakout cable such as the Kramer C-GM/3RVP.



The **TP-120** is a twisted pair receiver for computer graphics video signals. When used in conjunction with the **PT-110** twisted pair transmitter (or other compatible Kramer transmitter), it converts a twisted pair signal back into a computer graphics video signal.





TP-120

FEATURES

- Max. Resolution - WUXGA & 1080p.
- HDTV Compatible.
- Twisted Pair Input - RJ-45.
- Level (Gain) and EQ (Peaking) Controls.
- System Range - Up to 100m (320ft). Greater distances possible depending on resolution and cable.
- Cable - UTP (unshielded twisted pair) or STP (shielded twisted pair) such as CAT 5.
- Power Connect™ System - A single connection to the transmitter or the receiver powers both units when the devices are within 150ft (50m) of each other.
- Compact Kramer TOOLS™ - 3 units can be rack mounted side-by-side in a 1U rack space with the optional RK-3T rack adapter.

TECHNICAL SPECIFICATIONS

INPUT:	1 RJ-45 line in.
OUTPUT:	1 VGA/UXGA on a 15-pin HD connector.
MAX. OUTPUT LEVEL:	1.4Vpp.
MAX. RESOLUTION:	WUXGA & 1080p.
S/N RATIO:	80dB.
CONTROLS:	-10.3dB to +1.7dB 60m, level; 0dB to +35dBu 100m, EQ.
COUPLING:	AC.
POWER SOURCE:	12V DC, 160mA.
DIMENSIONS:	12cm x 7.5cm x 2.5cm (4.7" x 2.95" x 0.98") W, D, H.
WEIGHT:	0.3kg (0.66lbs) approx.
ACCESSORIES:	Power supply.
OPTIONS:	RK-3T 19" rack adapter.