

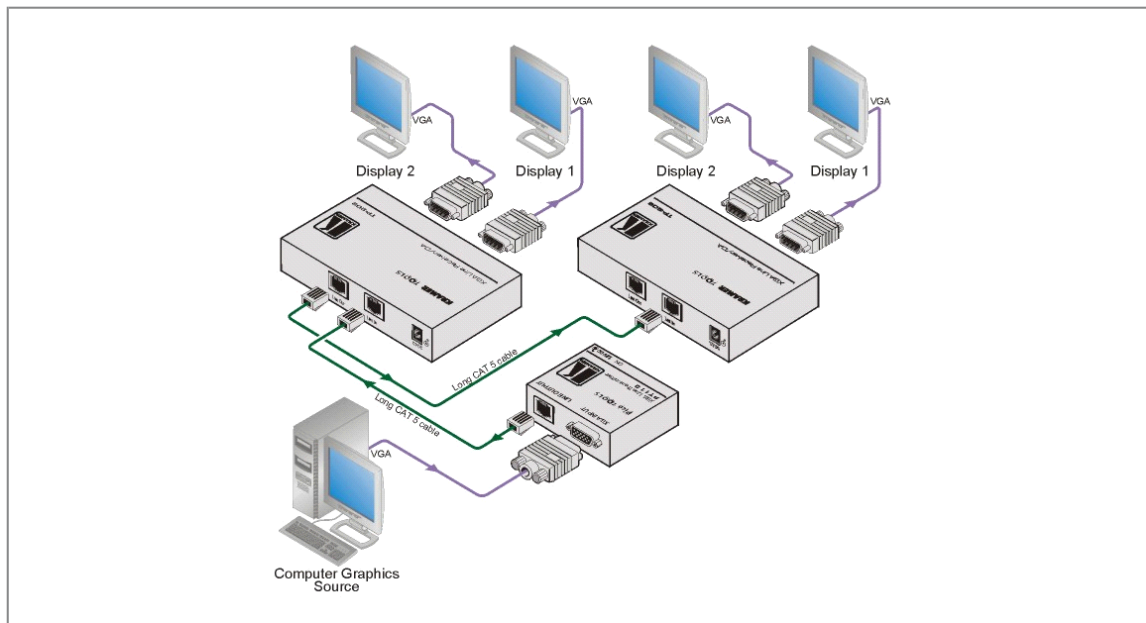


## TP-202

### Computer Graphics Video over Twisted Pair Transceiver



The **TP-202** is a twisted pair branching receiver for computer graphics video signals with resolutions from VGA up to UXGA and higher or HDTV signals. It takes a twisted pair signal and converts it into a computer graphics video signal or HDTV signal available on two 15-pin HD outputs, and simultaneously re-transmits the original twisted pair signal to another compatible receiver.





## TP-202

---

### FEATURES

---

- **HDTV Compatible.**
- **Max. Resolution - WUXGA & 1080p.**
- **Long System Range - More than 100m (300ft).**
- **Expandable - Cascades up to 6 units.**
- **Cable - For standalone, use UTP (unshielded twisted pair) cable such as CAT 5.**
- **Sync Polarity Settings - H & V switches for improved display compatibility.**
- **Level (Gain) and EQ (Peaking) Controls - Recessed to prevent unintentional adjustment.**
- **Power Connect™ System - A single connection to the transmitter or the receiver powers both units when the devices are within 150ft (50m) of each other.**
- **Compact Kramer TOOLS™ - 3 units can be rack mounted side-by-side in a 1U rack space with the optional RK-3T rack adapter.**

### TECHNICAL SPECIFICATIONS

---

INPUT:	1 CAT 5 on an RJ-45 connector.
OUTPUT:	1 CAT 5 on an RJ-45 connector; 2 XGA on 15-pin HD (F) connectors.
DIFF. GAIN (PAIR):	2.8%.
K-FACTOR:	0.1%.
MAX. RESOLUTION:	WUXGA & 1080p.
CONTROLS:	Level: -9.6dB to +2.3dB; Equalization: 0dB to 36.3dB @50MHz.
POWER SOURCE:	12V DC, 525mA maximum current.
WEIGHT:	0.3kg (0.67lbs) approx.
ACCESSORIES:	Power supply.
OPTIONS:	RK-3T 19" rack adapter.