

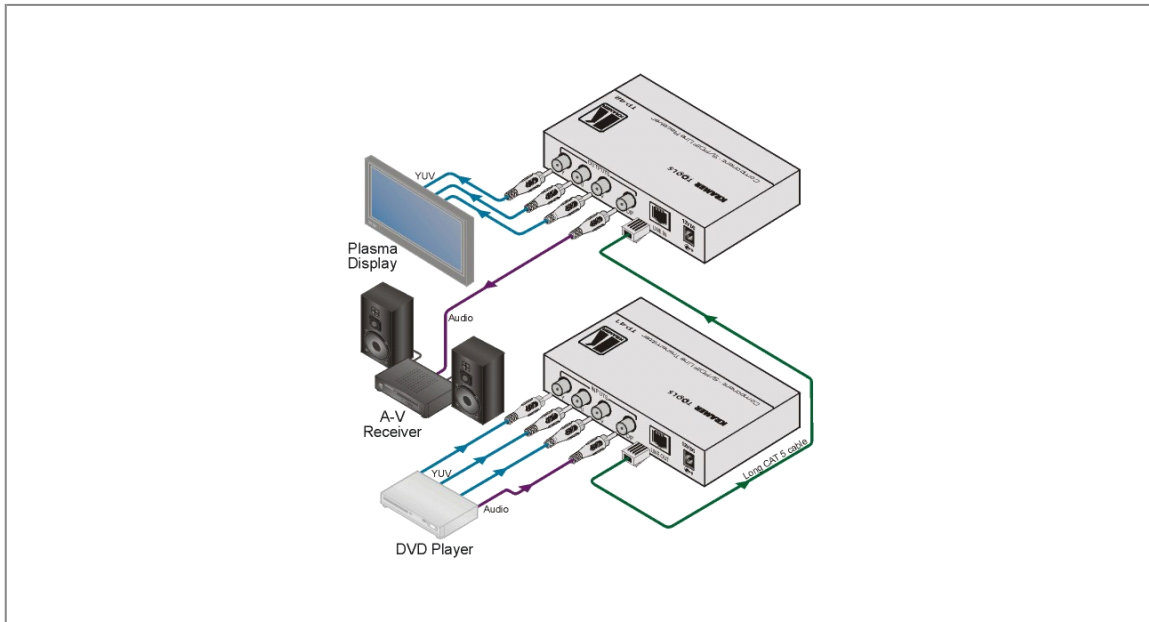


TP-42

Component Video & S/PDIF Audio over Twisted Pair Receiver



The **TP-42** is a twisted pair receiver for component video (YUV) and S/PDIF audio signals. The **TP-41** transmitter converts component video (YUV) and S/PDIF audio signals into a twisted pair signal and the **TP-42** converts the twisted pair signal back into component video (YUV) and S/PDIF audio signals.





TP-42

FEATURES

- HDTV Compatible.
- Max. Resolution - 1080i.
- Level (Gain) and EQ (Peaking) Controls.
- System Range - Up to 100m (320ft).
- Cable - UTP (unshielded twisted pair) or STP (shielded twisted pair) such as CAT 5.
- Compact Kramer TOOLS™ - 3 units can be rack mounted side-by-side in a 1U rack space with the optional RK-3T rack adapter.

TECHNICAL SPECIFICATIONS

INPUT:	1 RJ-45 CAT 5 shielded connector (line in).
OUTPUTS:	1 set of component video (Y, U, V) on RCA connectors; 1 S/PDIF (digital audio) on an RCA connector.
MAX. OUTPUT LEVEL:	Video: 2.1Vpp.
MAX. RESOLUTION:	1080i.
DIFF. GAIN:	0.15%.
DIFF. PHASE:	0.68Deg.
K-FACTOR:	0.8%.
S/N RATIO:	Video: 78dB; Audio: 78.4dB.
CROSSTALK (all hostile):	Video: -55dB; Audio: -50.5dB.
CONTROLS:	YUV level: -0.7dB to +0.8dB; YUV equalization: 0 to +7.5dB; S/PDIF level: -0.5dB to +1.2dB; S/PDIF equalization: 0 to +7.8dB.
COUPLING:	DC.
POWER SOURCE:	12V DC, 82mA.
DIMENSIONS:	12cm x 7.5cm x 2.5cm (4.7" x 2.95" 0.98") W, D, H.
WEIGHT:	0.3kg (0.67lbs) approx.
ACCESSORIES:	Power supply.
OPTIONS:	RK-3T 19" rack adapter.