

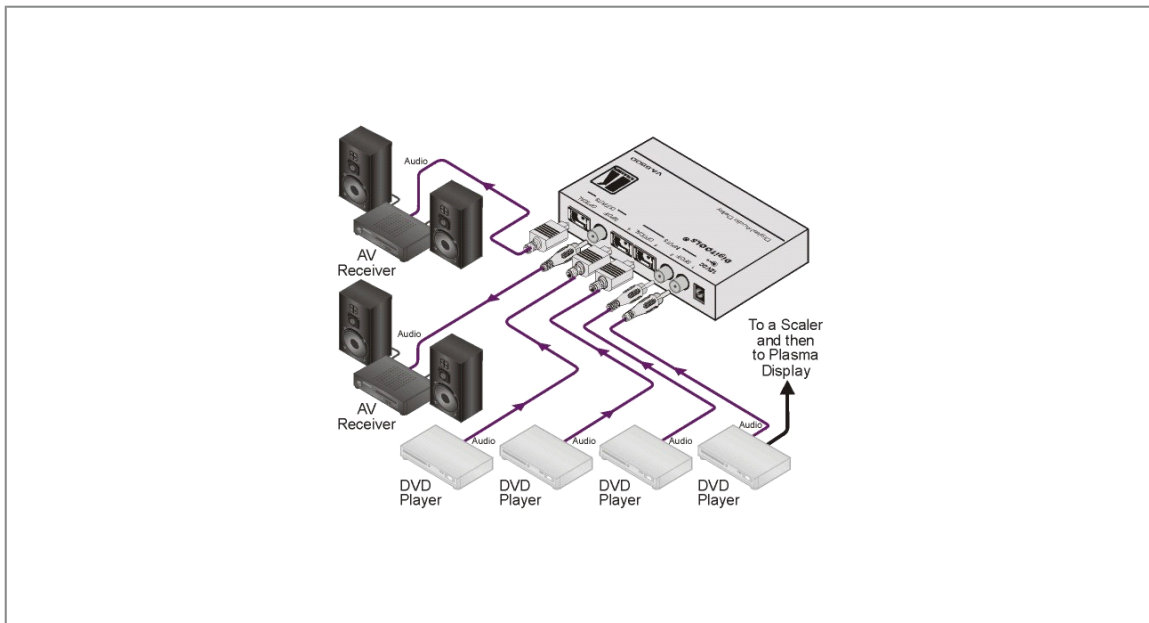


VA-680D

Professional Digital Audio Delay



The **VA-680D** is a high-performance audio delay for S/PDIF and optical audio signals. It synchronizes the audio and video signals when they are not in sync, as is often the case in systems with heavy digital processing of the video signal such as scalers.





VA-680D

FEATURES

- **Multi-Function Performance** - Digital audio delay, format conversion, and 4-input switching.
- **Multi-Format** - EIAJ CP1201, IEC-60958, AES & S/PDIF.
- **Multiple Sampling Rates** - 32kHz to 96kHz.
- **Wide Range of Programmable Delay** - 0 to 999 milliseconds in one millisecond increments.
- **Control** - Front panel with LED display.
- **Compact DigiTOOLS®** - 3 units can be rack mounted side-by-side in a 1U rack space with the optional RK-3T rack adapter.

TECHNICAL SPECIFICATIONS

INPUTS:	2 S/PDIF inputs on RCA connectors; 2 TOSLINK® inputs on optical connectors.
OUTPUTS:	1 S/PDIF on an RCA connector; 1 TOSLINK® optical connector.
AUDIO SIGNAL COMPATIBILITY:	Digital audio (S/PDIF): All current broadcast/DVD standards, including Dolby Digital, EX, DTS, ES and PCM. Audio sample rates of 32kHz, 44.1kHz, 48kHz (standard DVD) and 96kHz (DTS 96/24).
AUDIO DELAY CAPABILITIES (DIP-SWITCH SETTINGS):	0-999ms for 32kHz sample rate signals; 0-740ms for 44.1kHz sample rate signals; 0-680ms for 48kHz sample rate signals; 0-340ms for 96kHz sample rate signals; 4 user programmable presets (1 per input).
POWER SOURCE:	12V DC, 300mA.
DIMENSIONS:	12cm x 7.5cm x 2.5cm (4.7" x 2.95" x 0.98") W, D, H.
WEIGHT:	0.3kg (0.67lbs) approx.
ACCESSORIES:	Power supply, mounting bracket.
OPTIONS:	RK-3T 19" rack adapter.