

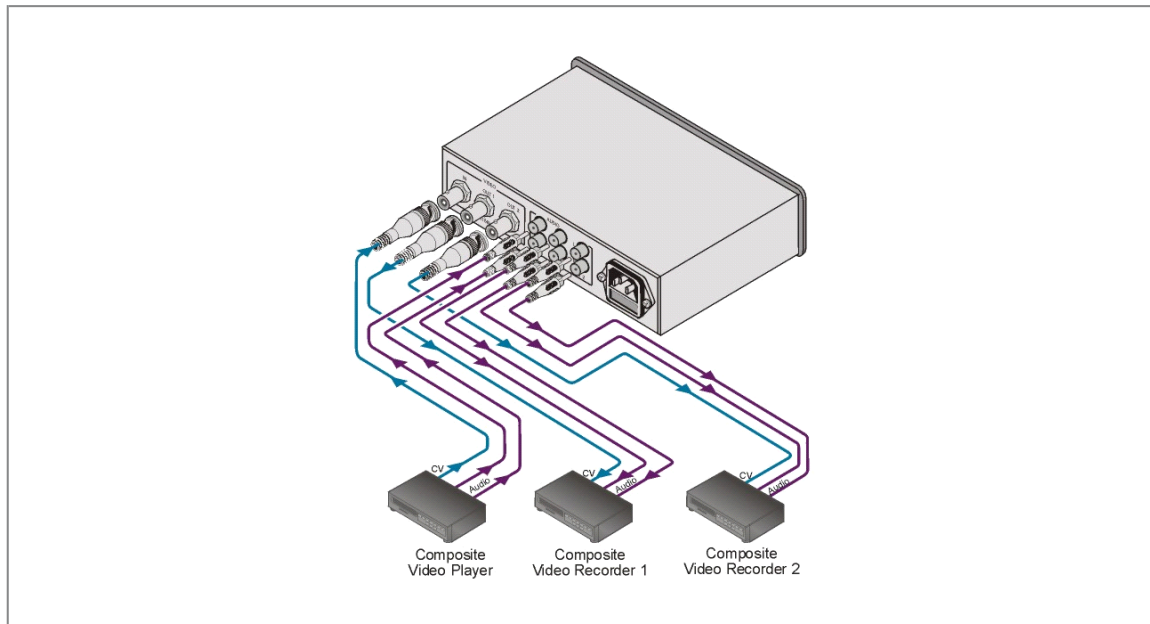


## VM-2N

### 1:2 Composite Video & Stereo Audio Distribution Amplifier



The **VM-2N** is a high-performance distribution amplifier for composite or SDI video and unbalanced stereo audio signals. It inputs one signal, provides correct buffering and isolation and distributes the signal to two identical outputs.





## VM-2N

---

### FEATURES

---

- **High Bandwidth** - 400MHz (-3dB).
- **Desktop Size** - Compact size. 2 units can be rack mounted side-by-side in a 1U rack space with the optional RK-1 adapter.

### TECHNICAL SPECIFICATIONS

---

INPUT:	1 composite video: DC coupled. 1Vpp/75Ω on a BNC connector; 1 audio: stereo/balanced mono. +4dBu/50kΩ on RCA connectors.
OUTPUT:	2 composite video: 1Vpp/75Ω on BNC connectors. 2 audio: stereo/balanced mono, +4dBu/50Ω on RCA connectors.
MAX. AUDIO LEVEL (-3dB):	22dBu.
VIDEO BANDWIDTH:	Exceeding 400MHz.
AUDIO BANDWIDTH:	>100kHz (1db).
DIFFERENTIAL GAIN:	<0.05%.
DIFFERENTIAL PHASE:	0.1Deg.
K-FACTOR:	<0.05%.
S/N RATIO:	Better than 85dB (audio), 75dB (video).
SDI EFF. RANGE:	Up to 50m.
AUDIO THD+N:	0.017%.
POWER SOURCE:	230V AC/50Hz, (115V AC USA), 4.6VA.
WEIGHT:	0.620kg (1.3lbs) approx.
DIMENSIONS:	16.5cm x 12cm x 4.5cm (6.5" x 4.7" x 1.8") W, D, H.
ACCESSORIES:	Power cord.
OPTIONS:	RK-1 19" rack adapter.