

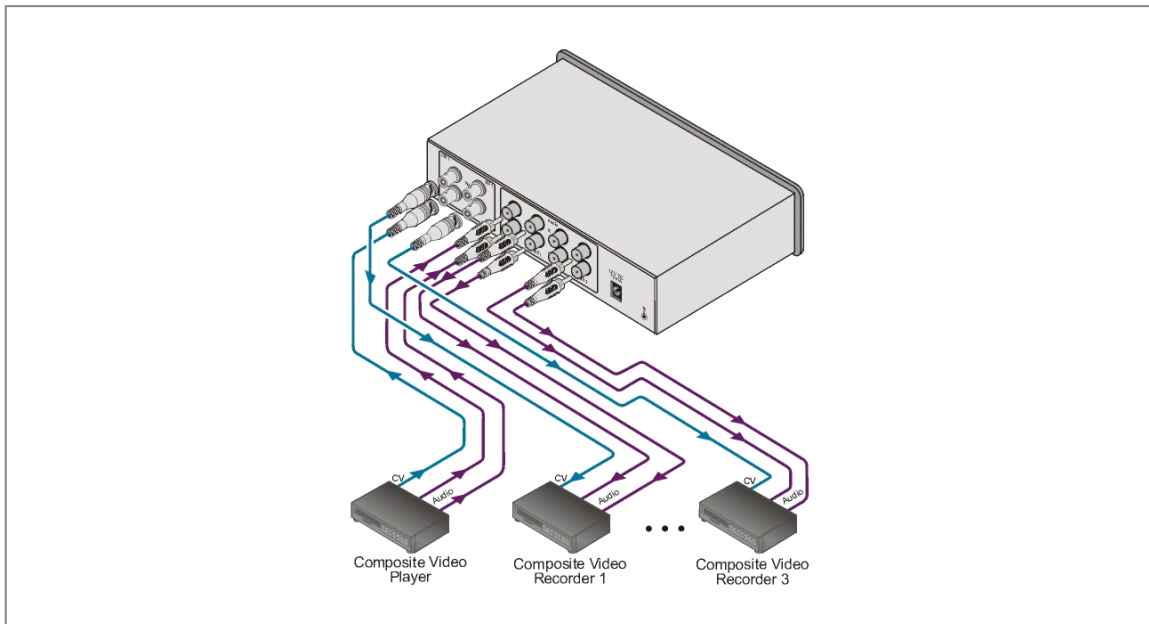


VM-30AVB

1:3 Composite Video & Stereo Audio Distribution Amplifier



The **VM-30AVB** is a compact distribution amplifier for composite or SDI video and unbalanced stereo audio signals. It provides controls to compensate for signal losses inherent in long cable runs.





VM-30AVB

FEATURES

- High Bandwidth - 430MHz at -3dB.
- Video on BNC Connectors.
- Audio Level Control.
- Level (Gain) and EQ (Peaking) Controls.
- Desktop Size - Compact size. Two units can be rack mounted side-by-side in a 1U rack space with the optional RK-1 adapter.

TECHNICAL SPECIFICATIONS

INPUTS:	1 video, 1 Vpp/75Ω on a BNC connector; 1 audio stereo, 1Vpp/70kΩ on RCA connectors.
OUTPUTS:	3 video, 1 Vpp/75Ω on BNC connectors; 3 audio stereo, 1Vpp/150Ω on RCA connectors.
MAX. OUTPUT LEVEL:	Video: 2Vpp; audio: 5.4Vpp.
BANDWIDTH (-3dB):	Video: 430MHz, audio: 100kHz.
DIFF. GAIN:	0.04%.
DIFF. PHASE:	0.07Deg.
K-FACTOR:	0.05%.
S/N RATIO:	Video: 73dB, audio: 83dB.
CONTROLS:	Video level: -1.1 to +1.8dB, EQ.: 0 to +4.6dB @5.8MHz; Audio level: -66 to +16dB.
COUPLING:	AC.
AUDIO THD+NOISE:	0.3%.
AUDIO 2nd HARMONIC:	0.02%.
POWER SOURCE:	12V DC, 50mA typical.
DIMENSIONS:	16.5cm x 12cm x 4.5cm (6.5" x 4.7" x 2.8") W, D, H.
WEIGHT:	0.65kg (1.4lbs) approx.
ACCESSORIES:	12V DC power supply, brackets for stacking multiple units.
OPTIONS:	RK-1 19" rack adapter.