



VP-350

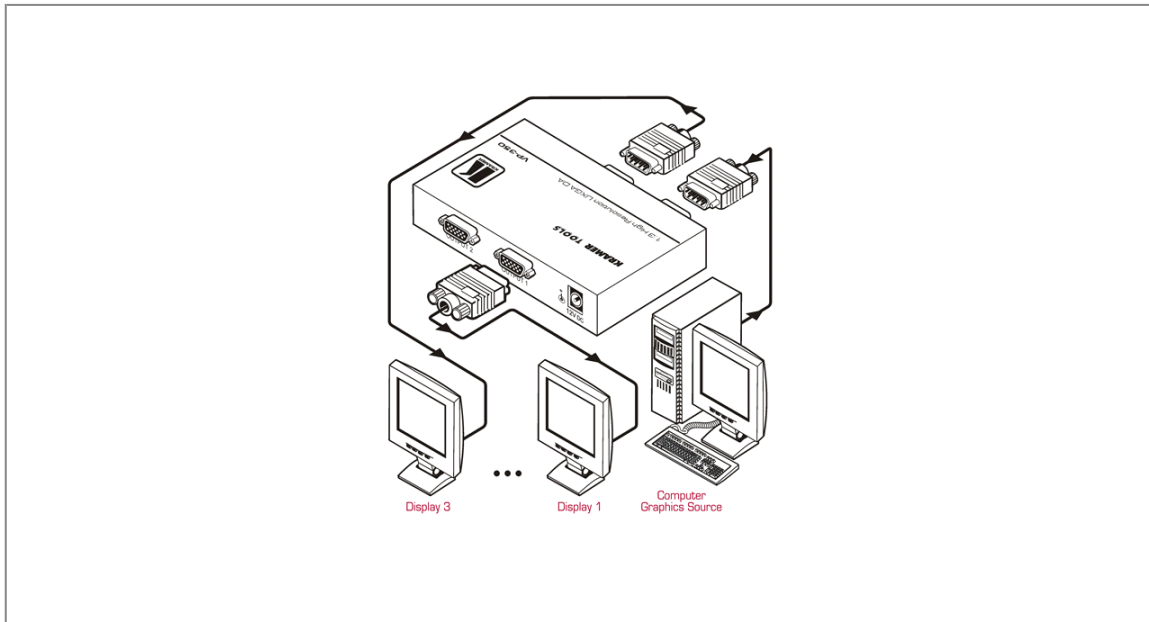
1:3 Computer Graphics Video Distribution Amplifier



Compatible with HDTV component video signals when used with a breakout cable such as the Kramer C-GM/3RVF.



The VP-250, **VP-350** and VP-450 are high-performance distribution amplifiers for computer graphics video signals with resolutions ranging from VGA through UXGA and higher. They take one input, provide correct buffering and isolation, and distribute the signal to two, three and four identical outputs.





VP-350

FEATURES

- High Bandwidth - 420MHz (-3dB).
- HDTV Compatible.
- ID Bit Control.
- Advanced Sync Processing - Ensures compatibility with a wide range of computers.
- Selectable Sync Input Impedance - 75Ω (analog), 510Ω (TTL).
- AC/DC Coupling Selection - Individually for R, G & B signals.
- 3ft 15-pin HD Cable Included.
- Compact Kramer TOOLS™ - 3 units can be rack mounted side-by-side in a 1U rack space with the optional RK-3T rack adapter.

TECHNICAL SPECIFICATIONS

INPUT:	1 XGA on a 15-pin HD (F) connector.
OUTPUT:	2/3/4 XGA on 15-pin HD (F) connectors.
MAX. OUTPUT LEVEL:	2.3Vpp.
BANDWIDTH:	>400MHz.
DIFF. GAIN:	0.04%.
DIFF. PHASE:	0.03Deg.
K-FACTOR:	<0.05%.
S/N RATIO:	81dB.
CONTROLS:	AC/DC selectors for R, G, B via 3 switches; pair of switches for analog/TTL selection syncs on the underside; ID Bit switch on the underside.
COUPLING:	DC/AC by selection.
POWER SOURCE:	12V DC, 125mA.
DIMENSIONS:	12cm x 7.15cm x 2.76cm (4.7" x 2.8" x 1.08") W, D, H.
WEIGHT:	0.3kg (0.67lbs) approx.
ACCESSORIES:	Power supply, mounting bracket.
OPTIONS:	RK-3T 19" rack adapter.