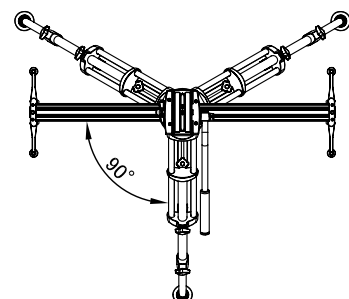
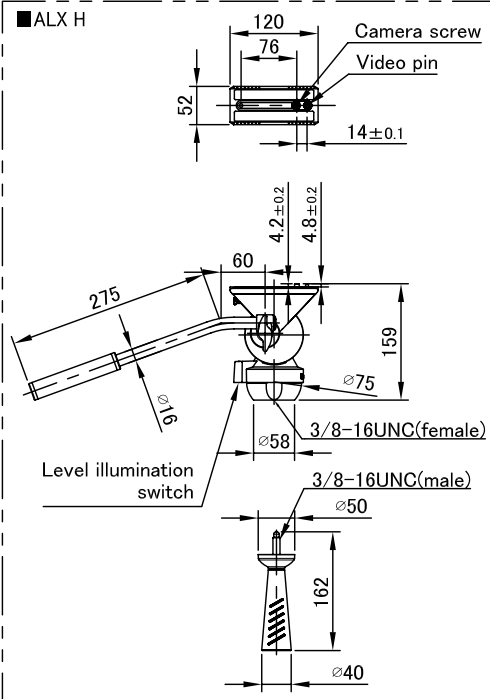


|   |   |                 |  |
|---|---|-----------------|--|
| System                                    | ALX H (Head) + ALX T (Tripod) + RC-20 (Carrying case) + ALX S8 (Slider) + ALX S8 Case |                 |  |
| Payload                                   | 4 kg / 9.0 lb   | Tilt angle      | +90° / -80°  |
| Weight                                    | 5.8kg / 12.8 lb   | Pan angle       | 360°   |
| Height                                    | ① H : 1720 mm W : 855 mm ( ※Reference )(※1)   | Counterbalance  | FIX  |
|   | ② H : 820 mm W : 635 mm ( " ) (※1)  |                 | ---  |
| Folded length                             | ③ L : 895 mm ( " )  | Drag mode       | FIX  |
| Camera plate<br>(Sliding range)           | Sliding plate   | Head base       | Ball $\varnothing 75$ mm / Flat base with 3/8" female thread |
|   | $\pm 40$ mm / $\pm 1.6$ "   | Section         | 2 STAGE  |
| Plate attachment<br>(Screw sliding range) | 1/4-20UNC screw with video pin  | Tripod fixation | Fixing lock knob   |
| Spare screw                               | 76 mm / 3"  | Spreader        | Mid-level spreader (Telescopic) *Unremovable                 |
|   | 3/8-16UNC screw   | Pan handle      | Unique pan handle (Non-telescopic)                           |
|   | Equipped on the top of the head (beneath sliding plate)                               | Case material   | Nylon, Polyester, TPE, PE, PP, POM, EPE                      |

### Remarks

ALX S8 Payload : For table top 15 kg / 33.0 lb

### Exterior Dimensions (mm)



※Reference

