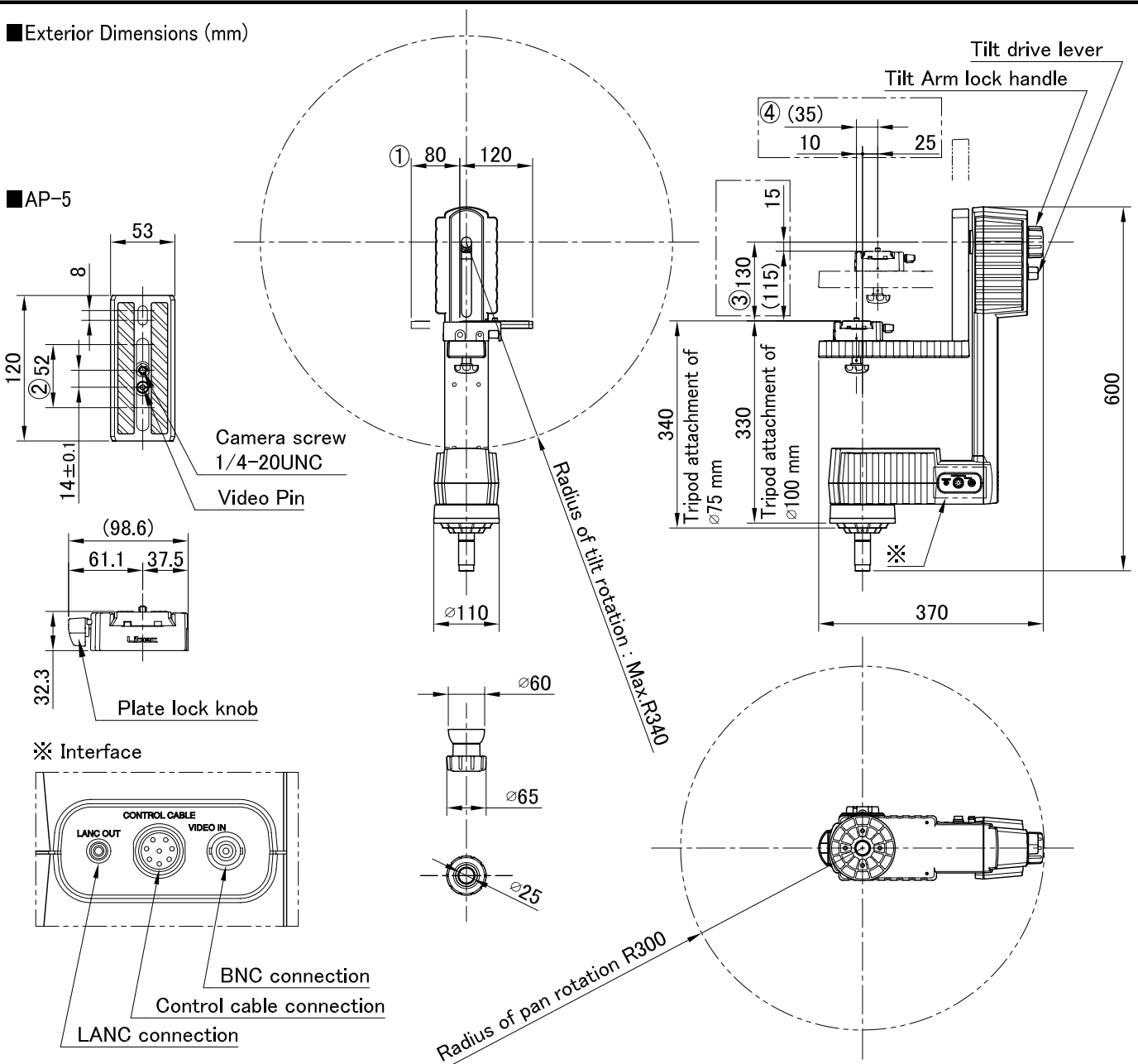


System	REMO30 (Remote head) ※ Including AP-5 (Adapter plate)		
Payload	5kg / 11lb	Max. rotation speed	Fast : 9 sec/360° , Slow : 51 sec/360°
Max width	250 mm / 9.8"		(Pan & Tilt)
Weight	4.5 kg / 10 lb (Including bowl clamp)	Radius of tilt rotation	Max. R340 mm
Positioning range for camera	① 80 mm (AP-5 : Sliding range of sliding plate)	Radius of pan rotation	R300 mm
	② 52 mm (Within the slot)	Tilt drive	On / Off select of tilt drive lever
	③ 115 mm (Weight 5 kg, CG140 mm of camera)	Operating temperature	-10 °C ~ 40°C
	※Center to tilt rotation : 15mm ~ 130mm	Operating humidity	Below 60%
	④ 35 mm (Lens offset)	Extendable cable	Standard 5 m, max. 30 m of 6 connected cables
	※Center to pan rotation : (In)10 mm ~ (out)25 mm	Head attachment	For both $\phi 75$ mm and $\Phi 100$ mm
Camera screw	Type:1/4-20UNC screw with video pin	Interface	LANC connection
Spare screw	Type:1/4-20UNC , 3/8-16UNC screws		BNC connection
	Equipped on the AP-5 (Beneath the sliding plate)		Control cable connection

Remarks

■ Exterior Dimensions (mm)



Weight	0.7 kg / 1.5 lb	Power	AC / DC adapter (DC12V-2A)
Clamping width	$\phi 15 \text{ mm} \sim \phi 30 \text{ mm} / 0.6'' \sim 1.18''$	(2 source of power)	V - mount battery
Direction control	3 position for pan & tilt (Forward, Reverse, Disable)	Interface	AC / DC adapter connection
Speed control	Changing pan & tilt speed dial		LANC connection
	Moving the Joystick angle will vary the speed		BNC connection
Joystick	Continuous control for speed / direction		Control cable connection

Remarks

■ Exterior Dimensions (mm)

