

System	RHP85 ( Head ) + T103B ( Tripod ) + SP-6B ( Floor spreader ) + RC-80 ( Carrying case )		
Payload	25 kg / 55 lb	Tilt angle	+90° / -70° ( Limited to ±40° with maximum counterbalance )
Weight	11.6 kg / 25.5 lb	Pan angle	360°
Height	① H : 1915 mm W : 730 mm (※Reference)	Counterbalance	Range : 9~20 kg / 20~44 lb (CG125mm)
	② H : 795 mm W : 1110 mm ( " )		System : Continuous
Folded length	③ L : 1010 mm ( " )	Drag mode	7 STEP
Camera plate (Sliding range)	2 Sliding plates ( Standard + Long ) Standard : ±55 mm / ±2.2" , Long : ±85 mm / ±3.3"	Ball diameter	∅100 mm
Plate attachment (Screw sliding range)	Type : 3/8-16UNC × 2 Standard : 102 mm / ±4" , Long : 95 mm / ±3.7"	Section	2STAGE (Material: Aluminum)
Spare screw	Type : 3/8-16UNC × 1	Tripod fixation	Fixing lock knob
	Equipped on the head ( Behind the platform of sliding plate )	Spreader	SP-6B (Telescopic, Removable)
		Pan handle	PH-8B
		Case material	Nylon , Polyester , TPE , PE , PP

### Remarks

Outside diameter of pipe

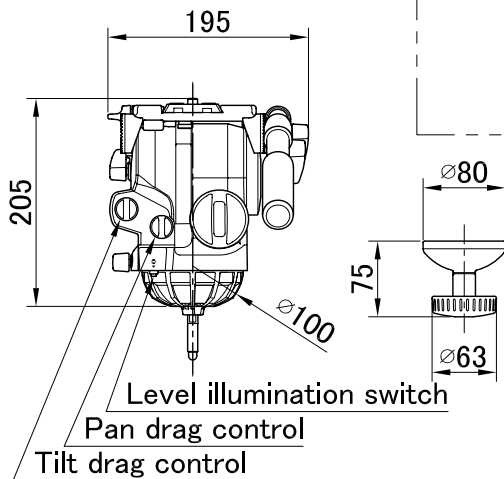
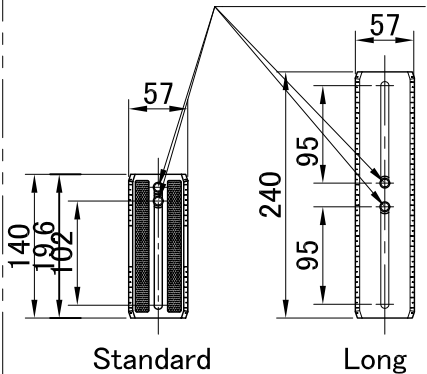
Upper :  $\phi 24$  / Middle :  $\phi 24$  / Lower :  $\phi 20$

### Exterior Dimensions (mm)

#### RHP85

Sliding plate ( 2 Type )

Camera screw



※Reference

