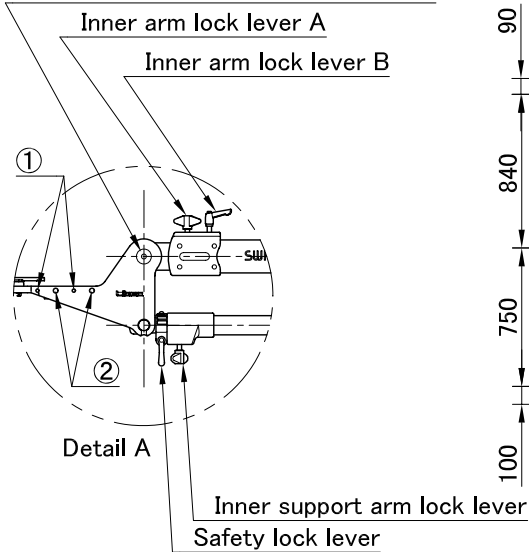


System	SWIFT JIB50 (Jib arm)		
Payload	20 kg / 44 lb (Inner arm at min. length)	Boom friction	Continuous adjustable
	10 kg / 22 lb (Inner arm at max. length)	Pan friction	Continuous adjustable
Weight	16.4 kg / 36 lb	Accessories	Threaded Weight shaft (1 pc)
Ball diameter	Head attachment : $\phi 100$ mm , $\phi 75$ mm (Adapter)		Weight fixing nut (2 pcs)
	Tripod attachment : $\phi 100$ mm		$\phi 75$ mm adapter (1 pc)
Camera internal thread	① 1/4-20UNC (On both side)		Carrying case (1 pc)
	② 3/8-16UNC (On both side)		Fine tuning weight (1 kg \times 1 pc)
Folded size	Length : 1471mm , Height : 356mm , Width : 167mm	Hex key wrench (1 pc)	

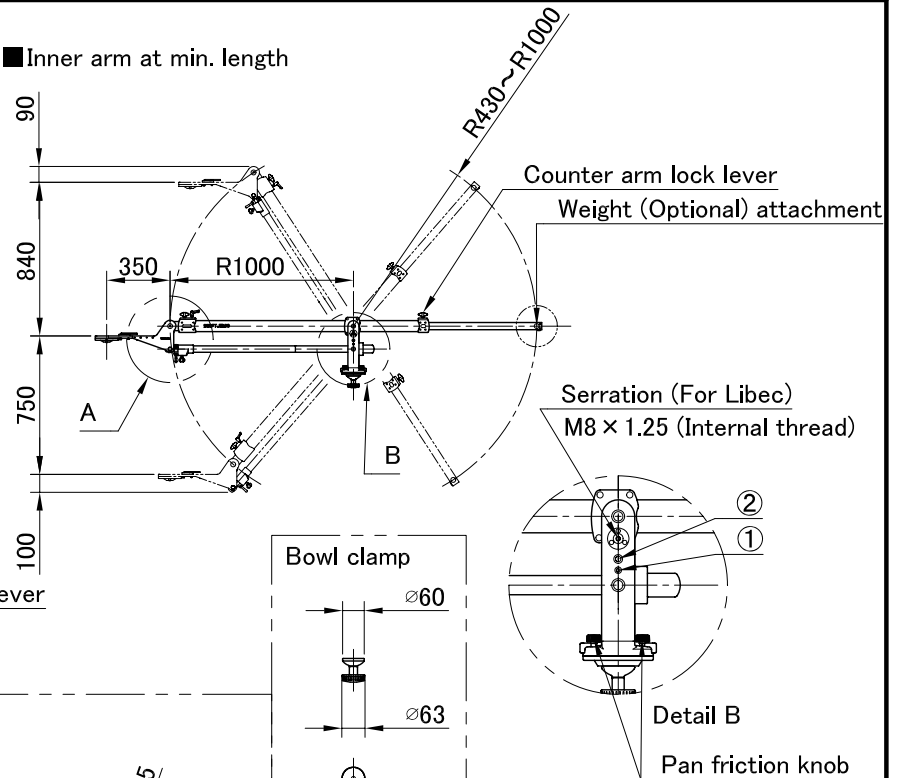
Remarks

■ Exterior Dimensions (mm)

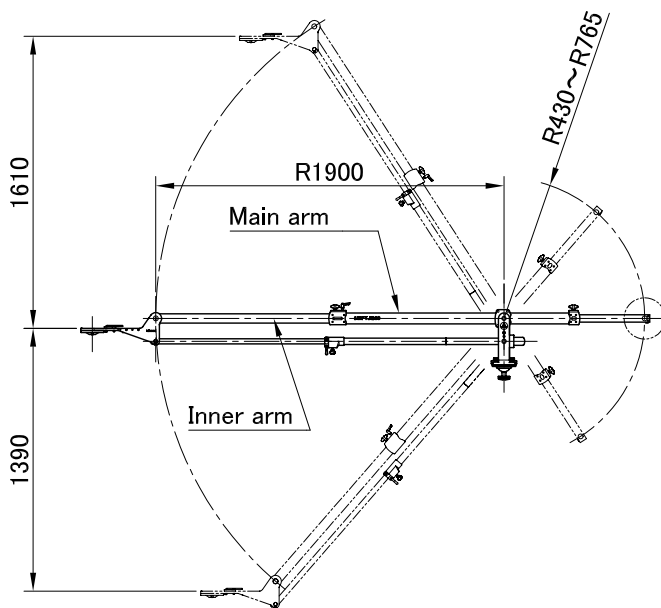
Boom friction knob (On reverse side)



■ Inner arm at min. length



■ Inner arm at max. length



■ Main arm at min. length (300mm movement)

