

D AD 3220 D

SERIES 3000

MiniModules

DISTRIBUTION

Dual Digital Audio Distribution Amp.

Description

The D AD 3220 D is a dual digital audio distribution amplifier designed primarily for broadcast and professional applications. Flexible configurations allow the module to be used in dual 1 > 4 or single 1 > 8 applications. Non reclocking inputs means each AES input can have independent sample rates ranging from 32KHz to 108KHz. All inputs and outputs are transformer coupled (isolated). The module has a built in micro-

controller with local controls, status and alarm indicators and well as internal flash ram for storing setups. Remote control and status monitoring is possible when used with a controller option and LYNX control software.

Key Features

Dual 1 > 4 or single 1 > 8 configurations (selectable).

Balanced digital audio inputs and outputs, with isolation transformers.

Non reclocking inputs supporting 32kHz to 108kHz sample rates (independent for each input channel).

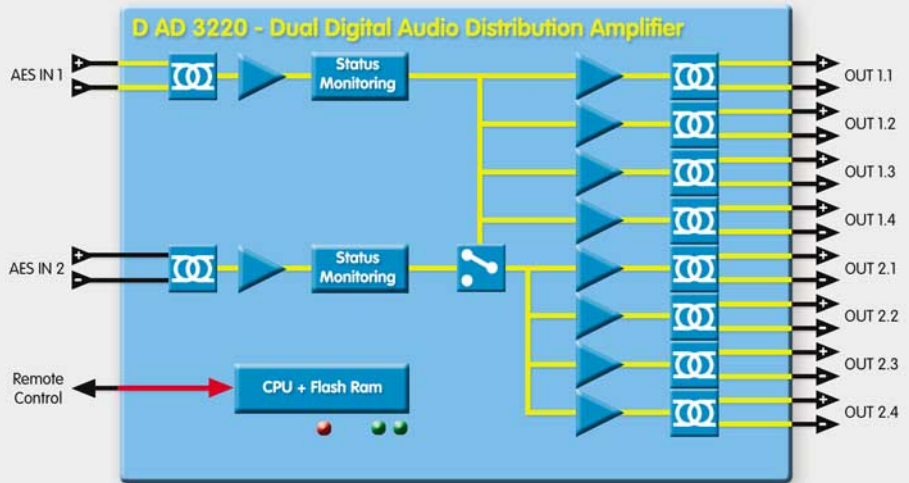
Local DIP-switch, push-button and LED's for local control and status monitoring.

Audio presence detection.

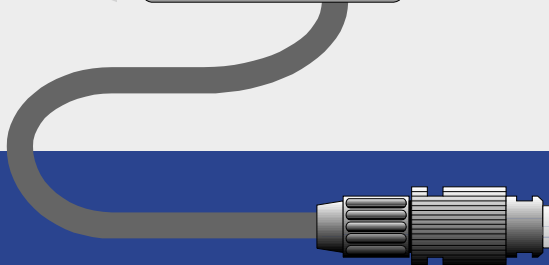
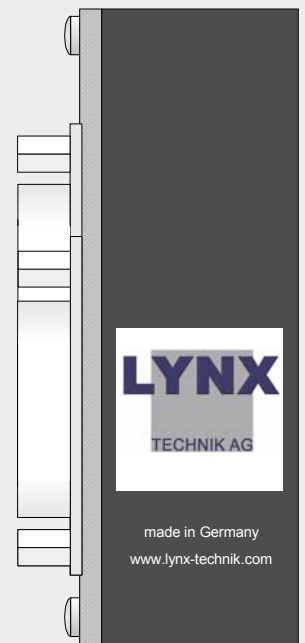
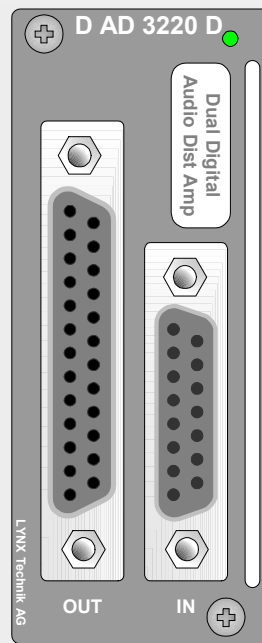
Microprocessor controlled.

Internal flash ram for storing module settings.

Remote control interface.



Actual Size



Dual Digital Audio Distribution Amp.

MiniModules

This module is part of the 3000 series of MiniModules, which offer high quality and flexibility in a very small form factor ideal for applications where space is at a premium. The modules can be used either stand alone using the optional power supply brick or

as part of a tightly integrated space saving system where up to 10 MiniModules can be mounted using the optional R FR 3005 rack frame, with optional expansion for redundant power and remote control using one of the LYNX controllers and control software.

Specifications

INPUTS

| | |
|-----------------|---|
| Signal | 1 or 2 (switchable) balanced (AES3) audio with transformers |
| Input Impedance | 110 Ohms |
| Connection | Sub D 15 pin female connector |
| Return Loss | <25dB (32KHz to 100KHz) |

Outputs

| | |
|------------------|--|
| Signal | 8 x balanced AES 3 audio outputs with transformers |
| Output Impedance | 110 Ohms |
| Connection | Sub D 25 pin female connector |
| Output Level | 4.0 V |

Operating Modes

| | |
|--------|--|
| Dual | 2 audio input channels with 4 outputs each |
| Single | 1 audio input channel with 8 outputs |

Performance

| | |
|-------------------|---|
| Sample Rate | 32kHz to 108kHz (independent for each input channel) |
| Jitter | < 0.025 ui |
| Status Monitoring | AES parity |
| Control | Remote Control of configuration (dual/single), remote monitoring of signal status |

Electrical Specifications

| | |
|-------------------|--|
| Operating Voltage | + 5VDC |
| Power Consumption | 2.5VA |
| Connection | DC input via 5 pin locking bayonet connector |
| Safety | IEC 950/ EN 60950/VDE 0805 |

Mechanical

| | |
|--------|-------------------------------------|
| Size | 85.5mm x 35.3mm x 27mm + connectors |
| Weight | 150g |

Ambient

| | |
|-------------|--|
| Temperature | 5°C to 35°C Maintaining specifications, -20°C to +70°C storage |
| Humidity | Max 80% non condensing |

Options

Power Supply Options

| | |
|--------------------|---|
| R PS 3001 E | External power brick - wall plug style. (Europe) |
| R PS 3001 U | External power brick - wall plug style (USA) |
| R PS 3001-3 | In-line power supply - suitable for all regions |
| R PS 3004 | In-line supply for 4 MiniModules - suitable for all regions |

Mounting Solutions

| | |
|------------------|--|
| R FR 3000 | Wall mounting brackets for individual MiniModules (5 sets) |
| R FR 3004 | Wall mount for 4 MiniModules |
| R FR 3005 | 19" rear rack mount plate for 10 MiniModules |
| R FR 3010 | Central power supply and control chassis |
| R PS 5010 | Redundant power supply for R FR 3010 |

Adapter Cables

| | |
|--------------------|---|
| R PS C 15 | DC power and control extension cable (1.5m) |
| R PS C 25 | DC Power and control extension cable (2.5m) |
| R AC M25-8 | SubD 25 > 8 x male XLR audio adapter cable (1m) |
| R AC MF15-4 | SubD 15 > 2 x male XLR and 2 x female XLR (1m) |

Controllers

| | |
|------------------|---|
| R CT 3000 | Service Adapter and control software for single modules |
| R CT 5020 | Rack Controller and control software |
| R CT 5010 | Rack Bus Expander |
| R CT 5030 | Master Controller |