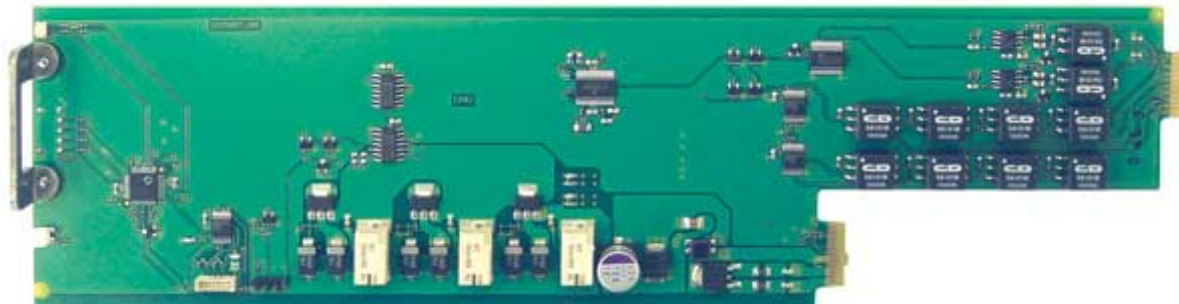


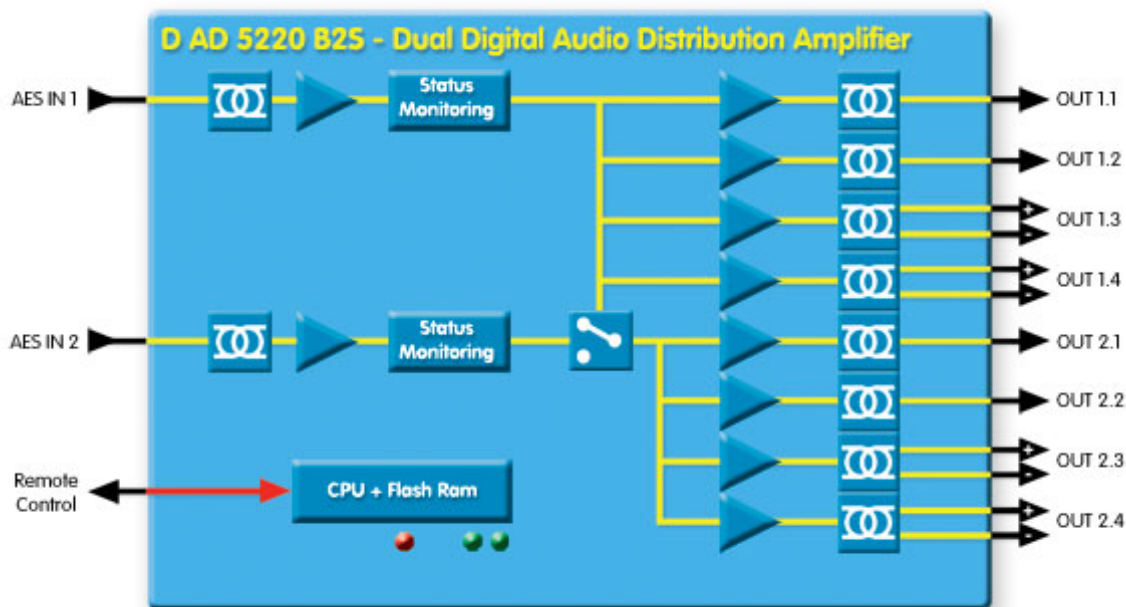
D AD 5220 B2S - Dual AES Distribution Amplifier with Impedance Conversion



Key Features

- Dual mode operation 1>8 or dual 1>4
- Signal presence detection
- Non reclocking
- Supports sample rates between 32KHz and 108KHz (independent for each input channel)
- 2 x unbalanced AES3id (75 Ohm) inputs
- 2 x unbalanced AES3id (75 Ohm) outputs and 2 x AES 3 (110 Ohm) balanced outputs
- Fully isolated transformer coupled inputs and outputs
- Microprocessor controlled with internal flash ram for storing configuration
- Remote control, status monitoring and error reporting possible when used with LYNX control system
- Full SNMP support when used with master controller option
- Hot Swappable

Functional Diagram



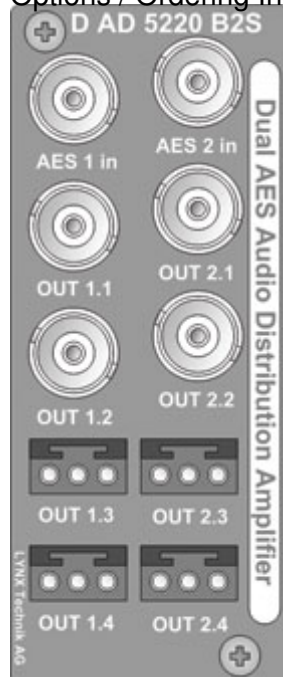
Description

Featuring dual mode operation the DAD 5220 B2S is a flexible and cost effective solution for AES digital audio distribution. The DAD 5220 B2S can be used as a single 1>8 amplifier or a dual channel 1>4 device. Integrated impedance conversion provides 2 x AES 3id (75 Ohm) unbalanced outputs as well as 2 x AES 3 (110 Ohm) balanced outputs. This module is ideally suited for the demanding requirements of broadcast and professional audio applications.

Each AES input can have independent sample rates ranging between 32KHz to 108KHz. All inputs and outputs are isolated using transformers.

Microprocessor control and on board flash ram enable configurations and settings to be stored within the module (through power cycles and module removal). Local control capability is provided via the integrated dip switch. Remote control, status monitoring and error reporting is possible when using the LYNX control system.

Options / Ordering Information



Ordering Information

D AD 5220 B2S - Dual AES Audio Distribution Amplifiers with Impedance Conversion

(AES3id Inputs/outputs on BNC connectors, AES3 balanced outputs on Weco connectors)

(Includes module, rear connection plate and manual on CD)