

Quad AES Audio Deembedder

Description

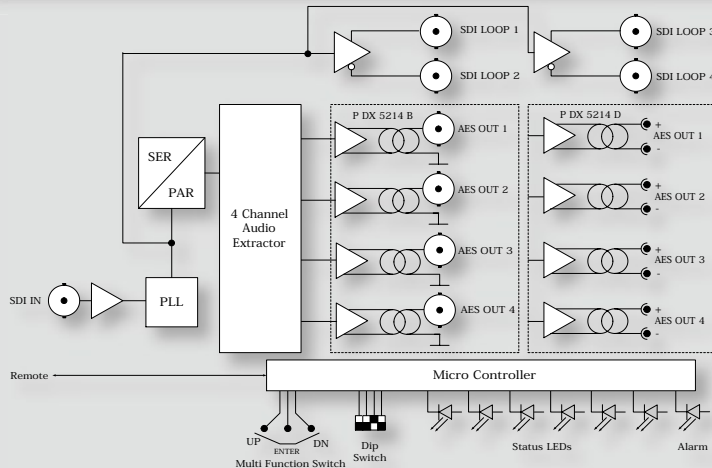
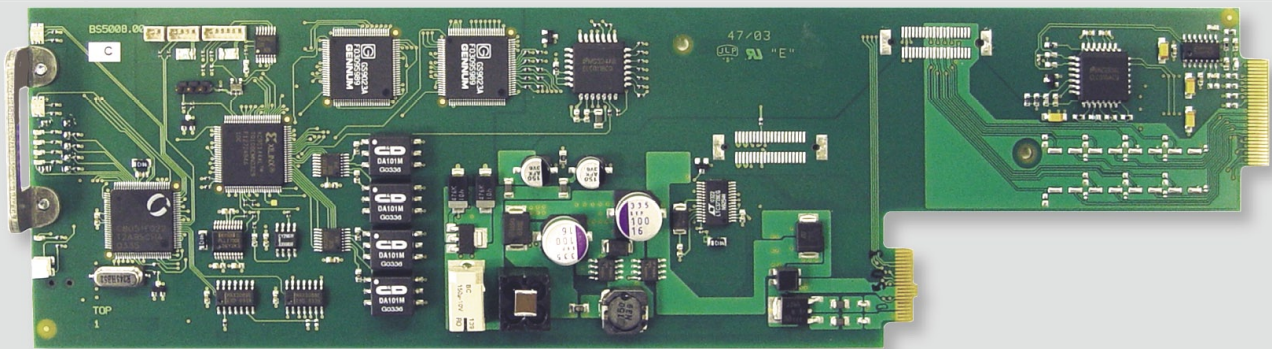
The P DX 5214 is a high quality digital AES audio deembedder which will extract 4 AES streams (2 groups) from the incoming SDI video signal. Two of four audio groups can be selected for deembedding. Featuring dual standard operation, 16:9 and 4:3 compatibility with 20 or 24 bit audio support makes this a versatile solution for any audio deembedding application. Dual backplane options support both single ended AESid and 110 Ohm balanced AES connectivity.

Microprocessor control and on board flash ram enable configurations and settings to be stored within the module (through power cycles and module removal). Local control capability is provided via the integrated dip switch and multifunction switch. Remote control, status monitoring and error reporting is possible when using the LYNX control system.

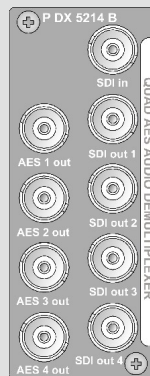
Four re-clocked SDI outputs adds useful 1>4 SDI distribution functionality which could be used for cascading into other deembedders to extract audio from additional embedded groups.

Features

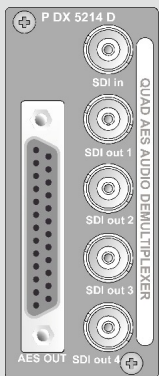
- User selectable audio groups (1-4) for deembedding
- Dual standard operation (525/625) with auto detection
- Supports 16:9 and 4:3 formatted video
- 270Mbit or 360Mbit operation with auto detection
- Supports 8 and 10 bit digital video
- 20 or 24 bit audio
- Four re-clocked outputs of incoming video signal
- Two backplane options supporting single ended AES or balanced AES audio connectivity
- Transformer coupled (isolated) audio outputs
- Remote control, status monitoring and error reporting possible when used with LYNX control system
- Full SNMP support when used with master controller option
- Hot Swappable



P DX 5214 B



P DX 5214 D



Backplane Options

Quad AES Audio Deembedder

Specifications

Video Input	
Signal Type	Serial digital video SMPTE 259M C-D with embedded audio SMPTE 272M-C
No. of inputs	1
Input Impedance	75 Ohms
Connector	BNC
Return loss	> 15dB (270Mbit)
Cable equalization	> 250m using Belden 8281 (270Mbit)
Video Outputs	
No. Of Outputs	4
Signal Type	Serial digital video SMPTE 259M C-D
Connector	BNC
Impedance	75 Ohm
Jitter	< 0.2ui
Return loss	> 15dB (270Mbit)
AES Audio Outputs	
Signal	P DX 5214 B = 4 x AES3id unbalanced (single ended) P DX 5214 D = 4 x AES3 balanced
Connectors	P DX 5214 B = BNC, 75 Ohm P DX 5214 D = Female 25 pin sub D, 110 Ohm balanced
Output level	P DX 5214 B = 1 v peak to peak nominal P DX 5214 D = 4v peak to peak nominal
Added Jitter	< 2ns
Coupling	Transformer (isolated) outputs
Performance	
Control	Local configuration and audio group selection via dip switches and multifunction switch. Full remote control / status monitoring possible when using a LYNX controller option.
Status Monitoring	Module edge LED indicators for a variety of parameters
Electrical Specifications	
Operating Voltage	12 VDC
Power Consumption	< 3W
Safety	IEC 60950/ EN 60950/VDE 0805
Mechanical	
Size	283mm x 78mm
Weight	CardModule 120g, connector plate 50g
Ambient	
Temperature	5°C to 40°C Maintaining specifications
Humidity	90% Max non condensing

Specifications subject to change

Settings and Control

Local Settings	
Group select	1/2/3/4 (Select one of 4 audio groups)
Additional Settings Available from Control System	
No additional settings from control system	

On Board Indicators / LEDs	
SDI status. Present / Not present	
Deembedder Status. AES present / No AES present	
Group selection. One Led for each group (4)	
General Alarm Indicator - 3 color	

Ordering Information

Model #	Part Number	Description	Includes
P DX 5214 B	6155008280	Quad AES Audio Deembedder	CardModule, Rear termination Panel, + Mounting Screws, and Reference Manual
P DX 5214 D	6155008380	Quad AES Audio Deembedder	CardModule, Rear termination Panel, + Mounting Screws, and Reference Manual