

LYNX

Mux/Demux

P MX 5264 B / D

SDTV / HDTV

SERIES 5000

CardModules

SD/HD 4 Channel AES Audio Embedder

Description

The P MX 5264 is a high quality multiformat AES audio embedder which accepts four external AES audio inputs. The input video standard (and format) is automatically detected. A mono input audio crossbar (8x16) is provided to reconfigure audio channels prior to embedding with selectable audio groups (1..4). Each AES input channel has a selectable sample rate converter ensuring compatibility with DolbyE encoded audio streams.

Any existing embedded audio is automatically detected and individual audio groups can be deleted, replaced or passed transparently.

Dual backplane options support both single ended AES3id and balanced AES3 connectivity.

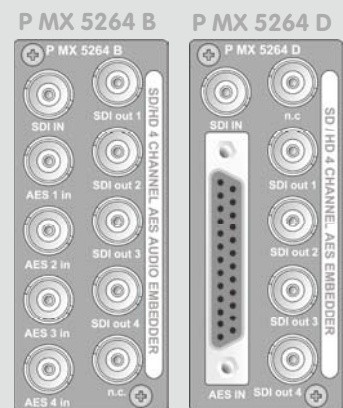
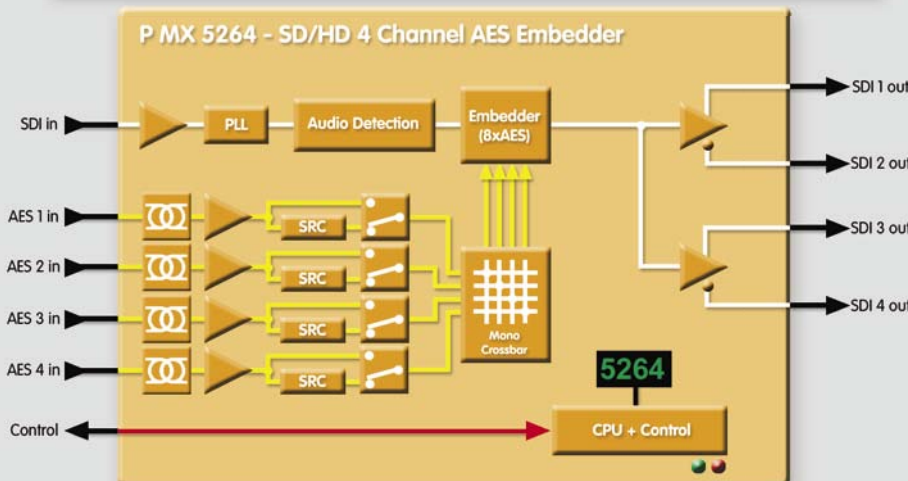
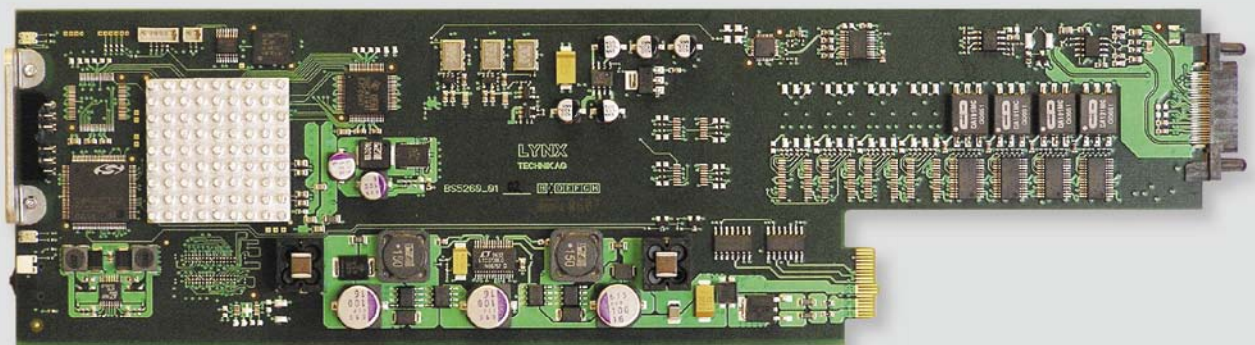
Four re-clocked SD/HD outputs adds useful 1>4 SD/HD distribution functionality which could be used for cascading into additional embedders for the insertion of additional audio channels.

Microprocessor control and on board flash ram enable configurations and settings to be stored within the module (through power cycles and module removal).

Local control capability is provided via the integrated matrix display and multifunction switch. Remote control, status monitoring and error reporting is possible when using the LYNX control system.

Features

- Multi-format SD/HD operation with auto detection
- Selectable sample rate converters on each AES input
- Replace, delete or pass existing embedded audio
- Compatible with DolbyE audio streams
- Integrated 8x16 mono audio crossbar for channel shuffle.
- Black "SDI Sync Frame" with embedded audio when no SDI input connected.
- Four SD/HD video outputs with embedded audio
- Two backplane options supporting single ended AES or balanced AES audio connectivity.
- Transformer coupled (isolated) audio inputs.
- CRC and EDH insertion into SDI stream.
- Remote control, status monitoring and error reporting possible when used with LYNX control system.
- Full SNMP support when used with master controller option
- Hot Swappable.



Backplane Options

MUX / DEMUX P MX 5264

SD/HD 4 Channel AES Audio Embedder

Specifications

Video Input

Signal Type	Serial digital video SMPTE, 292M, 344M, 259M C-D with automatic video format and standard detection
Supported formats	SDTV: 525 59.94Hz / 625 50Hz HDTV: 1080i 59.94Hz / 1080i 60Hz / 1080i 50Hz / 720P 59.94Hz / 720P 60Hz / 720P 50Hz (Field upgradable for additional format support)
No. of inputs	1
Input Impedance	75 Ohms
Connector	BNC
Return loss	> 15dB (270Mbit) > 10dB (1.485GHz)

Video Outputs

No. Of Outputs	4
Signal Type	Serial digital video SMPTE, 292M, 344M, 259M
Output format	Follows input format. (or black SDI Sync Frame frame with manually selected format)
Connector	BNC
Impedance	75 Ohm
Jitter	< 0.2ui (270Mbit) < 0.25ui (1.485Gbit)
Return loss	> 15dB (1.5GHz)

AES Audio Inputs

Signal	P MX 5264 B = 4 x AES3id unbalanced (single ended) P MX 5264 D = 4 x AES3 balanced
Connectors	P MX 5264 B = BNC, 75 Ohm P MX 5264 D = Female 25 pin sub D, 110 Ohm balanced
Input level	P MX 5264 B = 1 v peak to peak nominal P MX 5264 D = 4v peak to peak nominal
Added Jitter	< 2ns
Coupling	Transformer (isolated) inputs

Audio Processing

Audio group delete	Delete / replace or pass any existing embedded audio
Channel shuffle	Mono input crossbar (8x16)

Performance

Cable equalization	Up to 250m using Belden 8281 (270Mbit) Up to 140m using Belden 1694A (1.485GHz)
Control	Local configuration and audio group selection via dip switches and local matrix display. Full remote control / status monitoring possible when using a LYNX controller option.
Status Monitoring	Module edge LED indicators for a variety of parameters

Electrical Specifications

Operating Voltage	12 VDC
Power Consumption	< 6.5W
Safety	IEC 60950/ EN 60950/VDE 0805

Mechanical

Size	283mm x 78mm
Weight	CardModule 120g, connector plate 50g

Ambient

Temperature	5°C to 40°C Maintaining specifications
Humidity	90% Max non condensing

Specifications subject to change

Settings and Control

Local Settings

Group delete	Select audio group for deletion
Crossbar config	Assign audio. <i>Note: AES (stereo) crossbar in local</i>
Test format select	Select format for "black" SDI sync frame
Group select	Select audio group for embedding 1/2/3/4
Sample Rate Converters	Select ON/OFF for each AES input
Restore factory defaults	YES/NO

Additional Settings Available from Control System

Mono Crossbar	Access to mono crossbar functionality
---------------	---------------------------------------

On Board Indicators / LEDs

SDI input status.	Present / Not present
AES input Status.	AES present / No AES present
General Alarm Indicator	- 3 color

Ordering Information

Model #	Part Number	Description	Includes
P MX 5264 B	6155025264	SD/HD 4 Channel AES Audio Embedder (BNC)	CardModule, Rear termination Panel, + Mounting Screws, and Reference Manual
P MX 5264 D	6155035264	SD/HD 4 Channel AES Audio Embedder (SubD)	CardModule, Rear termination Panel, + Mounting Screws, and Reference Manual