

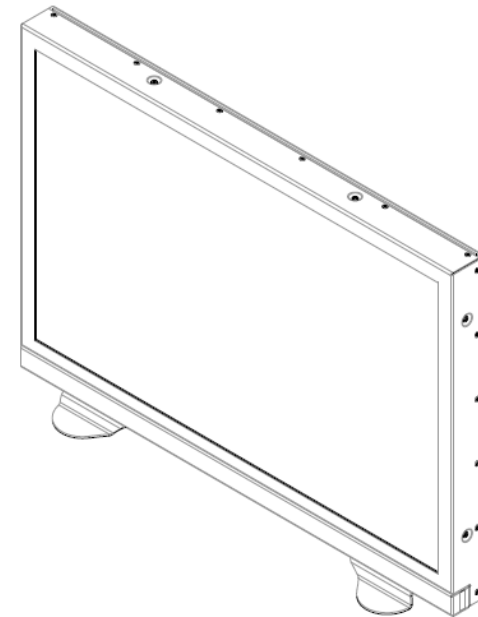
Warranty

Marshall Electronics warrants to the first consumer that this LCD monitor or accessory will, under normal use, be free from defects in workmanship and materials, when received in its original container, for a period of one year from the purchase date. This warranty is extended to the first consumer only, and proof of purchase is necessary to honor the warranty. If there is no proof of purchase provided with a warranty claim, Marshall Electronics reserves the right not to honor the warranty set forth above. Therefore, labor and parts may be charged to the consumer. This warranty does not apply to the product exterior or cosmetics. Misuse, abnormal handling, alterations or modifications in design or construction void this warranty. *It is considered normal for a minimal amount of pixels, not to exceed three, to fail on the periphery of the display active viewing area.* Marshall Electronics reserves the option to refuse service for display pixel failure if deemed unobtrusive to effective use of the monitor by our technicians. No sales personnel of the seller or any other person is authorized to make any warranties other than those described above, or to extend the duration of any warranties on behalf of Marshall Electronics, beyond the time period described above. Due to constant effort to improve products and product features, specifications may change without notice.

Marshall Electronics

QV261A-HDSDI

26" Desktop Quad Viewer



Quick-Start Guide

Visit www.LCDRACKS.com for Complete Instructions

Using the QV261A-HDSDI

Connect the 24 VDC XLR Power Supply to the monitor



Pin number	Signal
1	GNND
2, 3	—
4	24V

IMPORTANT: If using a power source other than the included power supply, be sure that the polarity of the DC input is correct

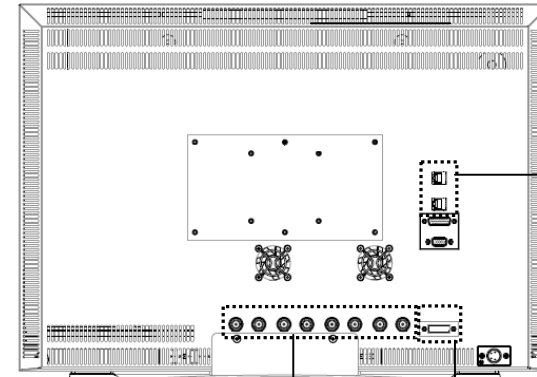


Optional Desktop Stand for the QV261A-HDSDI

Optional Accessories

- V-ST23-32 – Desktop Stand (shown above)
- VP-LCD171H-ST-01 – VESA stand with pivot and tilt

Video Inputs



RS-422/485 Ports

The QV261A-HDSDI has RS-422/485 ports that can remotely control various QV functions such as layout, aspect ratio and more via the Marshall Electronics NCB-2010.

HD/SDI Inputs / Outputs

The QV261A-HDSDI has four HD/SDI Inputs and four HD/SDI active Loop Outs.

DVI-I Input

The QV261A-HDSDI has one DVI-I input that can accept VESA PC Formats, Digital Video and Analog Video in a variety of formats and frame rates.

Viewing Video

