

MA-808 Portable Wireless PA System

Introduction

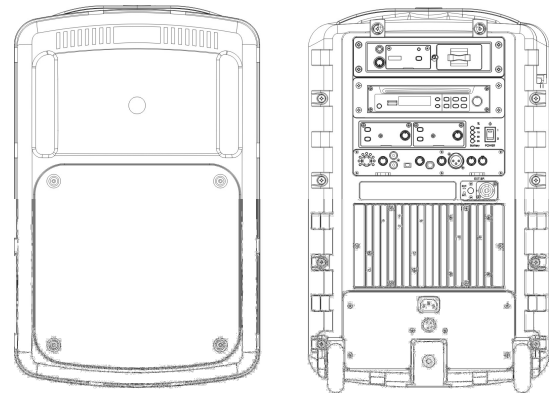
MA-808 is MIPRO's flagship portable wireless PA system and brings a host of impressive features and functionalities. MA-808 delivers unparalleled audio performance and craftsmanship. The rugged one-piece speaker cabinet houses a high efficient class-D/AB amplifiers that drive high sensitivity two-way loudspeakers and limiter circuitry reduces distortion and increases intelligibility for guaranteed powerful and clear sound.

It offers an ideal public address solution for large crowds.

Ideal applications include: Schools, Places of worship, Presentations, seminars and meetings, Shopping center & trade show presentations and promotions, Aerobic & fitness centers, Parades & fetes, Street performers, Recreational & social activities, Hobby & leisure clubs, Weddings & funeral services, Auctions.

Key Features

- Rugged 1-piece molded enclosure houses 1.5 " titanium compression driver & 10 " neodymium woofer.
- 190-watt power of loud and clear sound via high efficient high dynamic bi-amplified system.
- Industry's only digital master volume control can be adjusted manually or wirelessly via a ACT-30Hr transmitter microphone.
- Industry first retractable handle and sturdy wheels for easy transport.
- Built-in storage compartment for 2 handheld or bodypack transmitters.
- Amplification from both wired and wireless microphones, MP3/CD players, etc.
- A voice priority feature that mutes the music when wireless microphone is used.
- Up to 4 diversity receiver modules can be installed for reliable, extended reception range.
- One-touch Scan & ACT sync buttons for fast and easy channel set-up.
- Built-in AC switching power supply/charger for universal usage and fast battery charge.
- A smart 4-segment battery meter for accurate battery reading and charging status.
- Industry's only MTM-90 wireless interlinking transmitter option to interlink multiple MA-708 wirelessly to extend transmission range and expand coverage without the mess of bulky speaker cables.
- AC and rechargeable battery operation.



Transmitters & Microphones

ACT-30H	Handheld Transmitter
ACT-30Hr	Remote Volume Control Handheld Transmitter
ACT-30T	Bodypack Transmitter
MM-107	Hypercardioid Dynamic Microphone

Accessories

MB-70	Sealed Lead-acid Rechargeable Battery. (12V, 4.5AH)
SC-80	Storage Cover Bag
MS-70	Tripod Speaker Stand
MA-808EXP	Passive Extension Speaker
MRM-70-R	Single-Channel Diversity Receiver Module
MRM-72	Dual-Channel Diversity Receiver Module
MTM-90	Wireless Interlinking Transmitter
CDM-2	CD/USB Player Module
DPM-3	Digital Audio Recorder Module

Technical Specifications

Portable PA	
Max. Power Output	267-Watt: 190-Watt (woofer) 77-Watt (tweeter)
Amplifier	Class D & Class AB
T.H.D.	<1%
Frequency Response	50Hz~18kHz
Speaker	Tweeter: 1.5" Compression Driver; Woofer: 10" Neodymium
Audio Inputs	Wired: XLR× 1 & 6.3mm (1/4")× 1; Wireless: UP to 4 wireless microphones; Audio Player: CDM-2 or DPM-3; Line-In: Unbalanced RCA jack
Audio Output	Unbalanced line RCA jack
Extension Speaker	Speakon output
Master Volume Control	Manually or Wirelessly via ACT-30Hr
Controls	Tone, Voice Priority & Echo on wireless mics
Storage	2 handheld or bodypack transmitters
Installation	Speaker stand, flat surface or retractable handle & wheels
Power Supply	AC: Built-in 100-240V AC switching power supply DC & Battery: 24~32DC, 12V/4.5AH rechargeable gel cell battery
Charge Time	Up to 8 hours (automatic charging management)
Stand-by Time	Up to 6 hours
Battery Indicator	4-level Indicator (25/50/75/100%)
Color	Black, White
Dimensions	360(W)× 560(H)× 350(D)mm / 14.2(W)×22(H)×13.8(D)"
Weight	Approx. 20.5kg / 45lbs (batteries included)
Wireless System (optional)	
Receiver	MRM-70 or MRM-72
Max. Receiver	Up to 4
Interlinking Transmitter	MTM-90
Installation	Plug-in Module
Antenna	Built-in
Audio Player (optional)	
Model	CDM-2 or DPM-3
Installation	Plug-in Module



MIPRO Electronics Co., Ltd

Headquarters: 814 Pei-kang Road, Chiayi, 60096, Taiwan
Tel: +886.5.238.0809 | Fax: +886.5.238.0803
www.mipro.com.tw | mipro@mipro.com.tw