



Small, Lightweight yet Reliable 6.35-mm Digital Cassette MP Tape for Versatile Applications

The DVCPRO digital cassette tape brings an exceptionally compact size and high reliability to wide range of professional applications like broadcasting or program production.

This 6.35-mm-wide metal particle digital tape — the world's smallest and lightest — incorporates newly developed high-output metal magnetic particles that have made downsizing possible while delivering superb picture and sound quality. The DVCPRO cassette tape also boasts excellent tape transport stability and outstanding

durability. The medium DVCPRO cassette tape offers up to 66 minutes of recording time (with AJ-P66MP), and L-size cassette tape offers up to 184 minutes (with AJ-5P92LP) in studio applications*.

Besides, AJ-HP126EXG can offer more than 2 hours of recording time in High Definition. In addition this reliable digital tape offers higher operating efficiency. These features make the new DVCPRO cassette tape ideal for any applications where high reliability and low operating costs are a must.

* in 25M mode.



Outstanding Picture Quality and Durability in a Small Cassette Tape

The World's Most Compact Digital Video Cassette for Broadcasting

The ultracompact DVCPRO cassette is just 1/4 the overall size and 1/6 the weight of the standard 1/2-inch cassette tape used in news gathering, yet it offers twice the recording time — 66 minutes. This combination of smaller size and longer recording time means extra flexibility in the field. The DVCPRO general-purpose cassette tape lineup also includes a tape with 184 minutes* of recording time for editing use. In both news gathering and editing, compact dimensions and extended recording time give DVCPRO cassette tapes a big edge in convenience.

* AJ-5P92LP/in 25 M mode

MP Tape Technology Achieves Higher Output, Lower Noise

The DVCPRO cassette tape delivers significantly higher output and lower noise than conventional MP tape. The key is a newly developed ultra-fine metal magnetic particle that's less than half the size of previous metal particles but has 70% more energy. With remanent magnetization of 370 mT (3,700 Gauss) and coercivity of 183 kA/m (2,300 Oe), DVCPRO tape achieves output that's 5 dB higher than previous tape. The high-energy particles are mounted in an extremely dense pattern on tape with an ultra-thin 0.2 micron magnetic coating — the thinnest ever in a broadcast-use metal tape. The result is an exceptionally advanced tape with the low-noise, high-frequency characteristics needed in high-density digital recording.

Smooth Tape Transport, Excellent Durability and Reliability

An ultra-flat base film and advanced calendaring techniques give DVCPRO tape an ultra-smooth magnetic layer surface that eliminates spacing loss and micro-dropouts. This results in both low error rates and a higher C/N ratio, even in the high-frequency band. DVCPRO tape also features a new type of binder using a high-polymer that helps protect the magnetic layer and assure excellent durability, even with repeated usage and still playback. This means exceptional reliability in the most demanding environments and after long periods of storage.

Durable Cassette Shell

A tough cassette shell and sealed structure assure durability and prevent entry of dust or other particles into the cassette. The cassette also features a reel-lock mechanism that prevents tape sagging and a slide-type erase-prevention mechanism to protect against mishaps.

High Cost-Performance

High-quality DVCPRO metal tapes are more cost effective. Their smaller size can mean lower costs in other areas, too, thanks to their easy portability in the field and minimal storage requirements after editing. This all adds up to higher performance with lower operating costs.

Line-Up

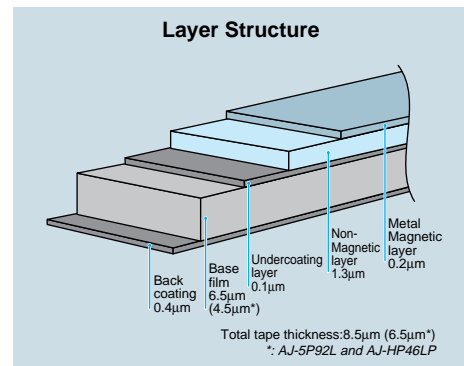
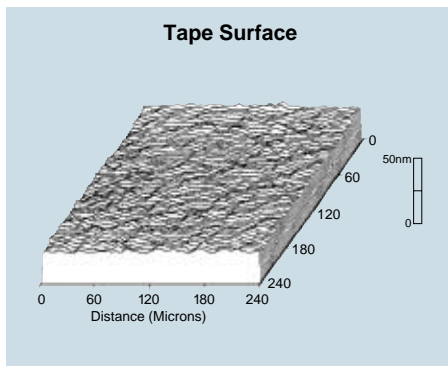
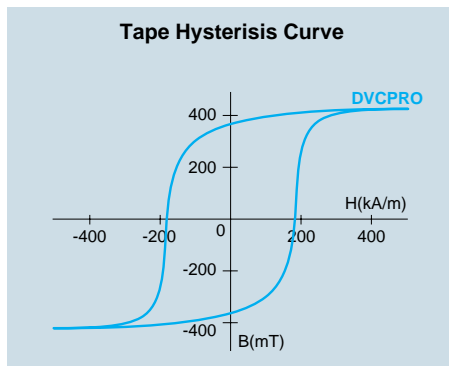
Model No.	Recording/Playback Time				Length
	25M	50M	HD	HD-LP	
AJ-HP126EXG	—	—	—	126 min.	513 m
AJ-HP92ELG	—	—	46 min.	92 min.	377 m
AJ-HP64ELG	—	—	32 min.	64 min.	263 m
AJ-HP23LP	—	—	23 min.	46 min.	190 m
AJ-5P92LP	184 min.*	92 min.	—	—	377 m
AJ-P126LP	126 min.	63 min.	—	—	259 m
AJ-P94LP	94 min.	47 min.	—	—	194 m
AJ-P66LP	66 min.	33 min.	—	—	137 m
AJ-P34LP	34 min.	17 min.	—	—	72 m
AJ-P66MP	66 min.	33 min.	—	—	137 m
AJ-P46MP	46 min.	23 min.	—	—	96 m
AJ-P33MP	33 min.	16 min.	—	—	70 m
AJ-P24MP	24 min.	12 min.	—	—	51 m
AJ-P12MP	12 min.	6 min.	—	—	27 m
AJ-CL12LP	Cleaning Tape (12min.)				27m
AJ-CL12MP	Cleaning Tape (12min.)				27m

When recording in the DVCPRO50 format onto a DVCPRO tape, the recording time will be half that indicated on the cassette.
 * For AJ-HP126EXG cassette tape, use a VTR supporting DVCPRO HD-LP format.
 ** For AJ-5P92LP cassette tape, use a VTR supporting DVCPRO (25 Mbps) 184 minutes tapes.

Specifications

Magnetic Layer	Metal particle
Base Film	Super Smooth Film
Back Coat	Durable and Smooth Back Coating
Tape Width	6.35 mm
Thickness	
Total Tape Thickness	8.5 µm (6.5 µm)*
Metal Magnetic Layer	0.2 µm (0.2 µm)*
Non-Magnetic Layer	1.3 µm (1.3 µm)*
Undercoating Layer	0.1 µm (0.1 µm)*
Base Film	6.5 µm (4.5 µm)*
Back Coating Layer	0.4 µm (0.4 µm)*
Magnetic Characteristic	
Coercivity	183 kA/m
Squareness	0.86
Retentivity	370 mT

* AJ-5P92LP and AJ-HP92ELG
 Weight and dimensions shown are approximate.
 Specifications are subject to change without notice.
 This product may be subject to export regulations.



Panasonic

Matsushita Electric Industrial Co., Ltd.
 Systems Business Group
 2-15 Matsuba-cho, Kadoma, Osaka 571-8503
 Japan
 Tel. 81-6-6905-4650 Fax. 81-6-6908-5969
 www.panasonic.co.jp/bsd

[Countries and Regions]

Argentina Tel. 54-1-308-1610	Iran Tel. 98-21-2271463	Saudi Arabia Tel. 966-1-465-0709	Taiwan Tel. 886-2-2725-9100
Australia Tel. 61-2-9887-6222	Italy Tel. 39-02-67881	Singapore Tel. 65-6270-0110	Thailand Tel. 66-2-731-8888
Austria Tel. 43-1-61080-773	Jordan Tel. 961-6-586-1914	Slovakia Tel. 421-7-5292-1423	Turkey Tel. 90-216-416-0150
Bahrain Tel. 973-252292	Korea Tel. 82-2-6670-5160	South Africa Tel. 27-11-313-1400	U.A.E. Tel. 971-4-282201
Belgium Tel. 32-2-481-0481	Kuwait Tel. 965-481-2123	Spain Tel. 34-93-425-9300	U.K. Tel. 44-118-902-9210
Brazil Tel. 55-11-3889-4035	Lebanon Tel. 961-1-216827	Sweden Tel. 46-8-680-8238	U.S.A. Tel. 1-201-348-5300
Canada Tel. 1-905-624-5010	Malaysia Tel. 60-3-5549-5422	Switzerland Tel. 41-41-259-9632	
China Tel. 86-10-6515-8828	Mexico Tel. 52-5-488-1000		
(Hong Kong Tel. 852-2313-0888)	Netherlands Tel. 31-73-640-2721		
Czech Republic Tel. 42-02-2166-4120	New Zealand Tel. 64-9-272-0100		
Denmark Tel. 45-43-200-853	Norway Tel. 47-22916800		
Egypt Tel. 20-2-3938151	Pakistan Tel. 92-21-455-5766		
Finland Tel. 358-9-521-5253	Panama Tel. 507-229-2955		
France Tel. 33-149464388	Peru Tel. 51-145-29470		
Germany Tel. 49-611-18160	Philippines Tel. 63-2-633-6162		
Greece Tel. 30-1-969-2300	Poland Tel. 48-3912-3173		
Hungary Tel. 36-1-382-6060	Portugal Tel. 351-21-424-8630		
Indonesia Tel. 62-21-801-5666	Puerto Rico Tel. 1-787-750-4300		
	Russia Tel. 7-095-258-4237		

