

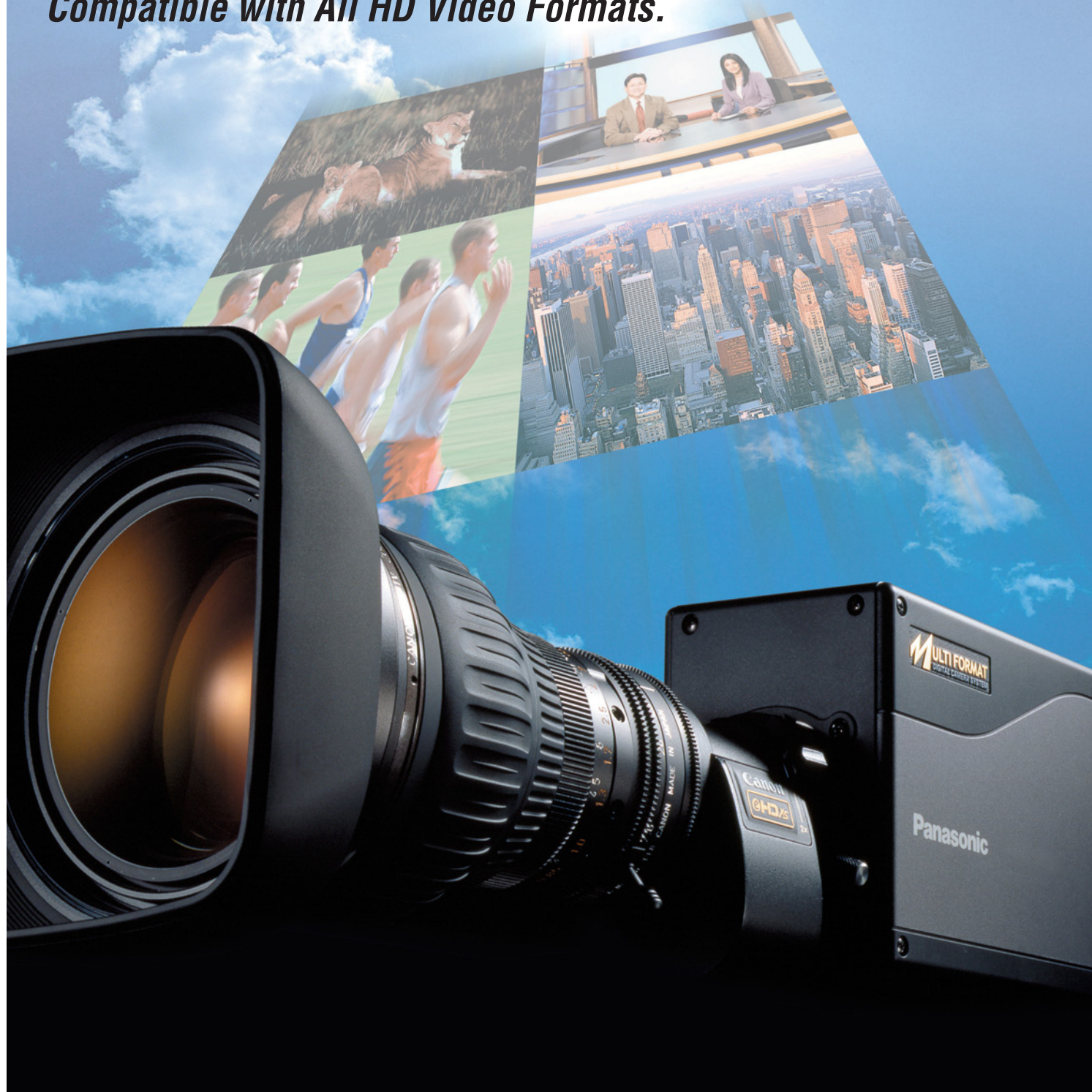
Panasonic

ideas for life

2007/10

Multi-Purpose HD Box Camera
AK-HC1500

*Highly Versatile, Compact High Definition Camera
for Broadcasting and Professional Video Uses.
Compatible with All HD Video Formats.*



MULTI FORMAT
DIGITAL CAMERA SYSTEM

Multi-format support for worldwide HD video – from broadcasting to live relays and scientific analysis, this compact camera does it all.

Sports relays

Small size and light weight make the AK-HC1500 easy to mount and operate on a pan-tilt head.

News studio camera

An economical system suitable for an automated news studio.

Weather camera

Place the AK-HC1500 inside a splashproof housing, and it serves as an all-conditions camera for use in weather forecasting.

Monitoring and low-light recording

- Ideal for capturing images for use in computer image analysis.
- Exceptionally high sensitivity allows shooting in lighting as low as 0.015 lx*. *At +72 dB gain

HD multi-format support for broadcasting and a host of other professional uses

The industry's first compact multi-format HD camera, the versatile AK-HC1500 handles everything from news studio work to live sports relays and image analysis for scientific applications. It's unique, Panasonic-developed 1-megapixel, 2/3-inch IT-CCD produces beautiful, broadcast-quality images. Select from a wide variety of lenses to meet your specific needs.



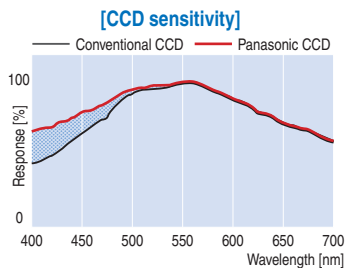
1080 60i/59.94i/50i/30p/25p/24p
720 60p/59.94p/50p

• The multi-format logo means the product is compatible with more than two video formats including a HD format.

High picture quality achieved by a new CCD and digital signal processor developed by Panasonic

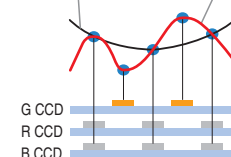
• Developed by Panasonic, this advanced CCD offers improved on-chip lens performance to achieve a standard sensitivity of F10.0 at 2 000 lx and a smear level of less than -130 dB.

Blue channel sensitivity has been improved approximately 3 dB achieving a better response ratio. Even deep-blue colors can be reproduced with vivid chrominance and significantly reduced noise.



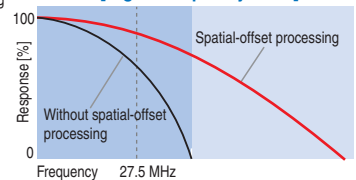
• Panasonic's single-channel transfer system and spatial-offset processing technologies improve signal modulation depth, thus reducing moire.

Output signal gain without spatial-offset processing



With spatial-offset processing, green samples are offset, allowing motion in the object to be more faithfully reproduced.

[Signal frequency band]



With spatial-offset processing, the depth of modulation of high-frequency signals is greatly improved.

14-Bit A/D converter and new DSP provide clear, sharp images from dark to bright areas

The AK-HC1500 delivers clear, high-contrast images thanks to a 14-bit A/D converter and a new adaptive function that varies the gamma correction to match the contrast within the image by Dynamic Range Stretch (DRS) function. In addition to the conventional matrix circuit, there is the 12-vector variable matrix masking circuit that separately optimizes saturation and hue. A hue preservation circuit is also provided to prevent color loss in highlight areas.

Before correction



When the gamma curve is adjusted based on bright areas of the image, black blocking occurs.*

When adjustment is based on dark areas, some image parts are washed out.*

*Photos show an approximate image.

After correction



Clear, sharp reproduction of both bright and dark areas.*

The worldwide shift to HD has created demand for a multi-format HD camera. Panasonic answers this need with the AK-HC1500, a compact, multi-purpose HD box camera that's compatible with all of the world's HD formats. Thanks to Panasonic's development of all key devices — including a new 14-bit A/D converter, new digital signal processor, and 2/3-inch IT-CCD — the AK-HC1500 delivers both outstanding picture quality and solid reliability. From program production to sports relays and scientific analysis, this versatile, high cost-performance camera does it all, in any country in the world.

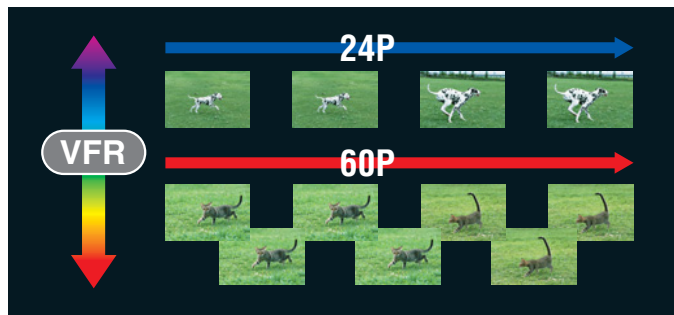


• The lens is not included with shipment.

Features variable frame rate and a cine gamma curve

The AK-HC1500 debuts as the first multi-purpose camera to feature a variable frame rate function and a cine gamma curve. The variable frame rate allows the overcranking and undercranking speed effects that film cameras provide, and the cine gamma curve reproduces images with a tone similar to film recordings. With the AK-HC1500, you can create productions that closely replicate the cine-like feeling and expressivity of film productions.

- You can vary the number of frames per second (4 fps to 60 fps), just as you can with a film camera. This lets you use the distinctive undercranking and overcranking speed effects of film cameras.
- Thanks to a special cine gamma curve, the CCD can produce pictures with the same kind of tonal beauty, natural gradation and rich colors you get with film recordings.



The Variable Frame Rate function varies the number of frames shot per second. *Photos show an approximate image.



The Cine Gamma function captures video with a warm, film-like quality.*

CCD accumulative drive allows high sensitivity

- In addition to the conventional gain-up circuit, the AK-HC1500 uses CCD accumulation and horizontal/vertical addition to make possible a gain increase of up to +72 dB (for recording in illumination of at least 0.015 lx).
- CCD progressive drive minimizes afterimages from the accumulative drive process.

Minimizing environmental impact through low power consumption and a compact footprint

Fewer parts, low power consumption and a compact design make the AK-HC1500 an environment-friendly choice.

- The AK-HC1500 uses a newly designed CCD drive circuit that requires low power consumption and a DSP that consumes little power.
- Fewer parts are used, and the weights of structural parts have been reduced.
- Small size is a big advantage in cameras used for information gathering, set in a housing, or mounted on a pan-tilt head.

Yet more features

- Option slot for expansion. The rear option slot lets you add a variety of optional terminal boards making the AK-HC1500 suitable for use in a wider range of studio applications and with different kinds of network connections. You can also mount a down converter, analog output unit or other equipment.
- The Electronic Extender function, used in addition to the conventional lens extender, magnifies the image by 2x.

Remote Controller

The right size and functions to satisfy all your remote studio and live coverage needs.

Remote Operation Panel AK-HRP900



(Rear view)

The half rack size panel offers high mobility and fully controllable camera parameters and lens zoom/focus/iris.

- Full control of camera settings
- Gen-lock signal can be sent to the camera.
- Zoom/Focus/Iris control with five preset buttons
- SD memory card for camera setting data
(ND/CC filter position, Master gain, Shutter, Iris Auto/Manual, CAM/BAR/TEST selection)
- Camera power can be supplied through an AK-HRP900 from an AW-PS505A.
- Standard multi-core control cable: 5 m (16.4 ft.)
- Half rack mount size

*AK-HRP900 is not available in PAL (50 Hz) area. (Please ask to local Panasonic sales company for detail information.)

System tally input	Tally signal (2-pin connector block)
Switch functions	Power, Preset memory, Preset position selection, Speed polarity change, Menu ON/OFF, Menu operation, Operation panel active, Scene file selection, Mode selection, Auto white start, Auto black start, ND filter selection, CC filter selection, Gain selection, Shutter selection, Lens iris auto/manual selection, Indication change, Zoom operation lever direction change, Focus adjust direction change
Adjustment functions	Iris, Focus, Zoom, R/B gain, Master pedestal, R/B pedestal
Cable length	Standard multi-core control cable: 5 m (16.4 ft.)
Power supply	DC12 V
Power consumption	Approx. 5 W
Operating temperature	0 °C to 40 °C (32 °F to 104 °F)
Storage temperature	-20 °C to 60 °C (-4 °F to 140 °F)
Dimensions (WxHxD)	210 mm x 57 mm x 176 mm (8-1/4" x 2-1/4" x 6-15/16")
Weight	Approx. 1.5 kg (3.3 lbs)

Remote Operation Panel AK-HRP150



(Rear view)



The 1/4 rack size panel can be used for easily adjusting full camera parameters.

- Full control of camera settings
- Gen-lock signal can be sent to the camera.
- Camera power can be supplied through an AK-HRP150 from an AW-PS505A.
- Standard multi-core control cable: 5 m (16.4 ft.)
- 1/4 rack mount size

System tally input	Tally signal (HIROSE; HR10A-7R-4P)
Switch functions	Menu ON/OFF, Menu operation, Operation panel active, Scene file selection, Mode selection, Auto white start, Auto black start, ND filter selection, CC filter selection, Gain selection, Shutter selection, Lens iris auto/manual selection, Indication change
Adjustment functions	Iris, R/B gain, Master pedestal, R/B pedestal
Cable length	Standard multi-core control cable: 5 m (16.4 ft.)
Power supply	DC12 V
Power consumption	Approx. 3 W
Operating temperature	0 °C to 40 °C (32 °F to 104 °F)
Storage temperature	-20 °C to 60 °C (-4 °F to 140 °F)
Dimensions (WxHxD)	92 mm x 65 mm x 255 mm (3-5/8" x 2-9/16" x 10-1/8")
Weight	Approx. 1.2 kg (2.65 lbs)

Remote Operation Panel AW-CB400



(Rear view)



The unit can operate up to five cameras with fully camera controllability.

- Controls five cameras
- Full camera control
- DC-12 V operation
- Tally/Intercom function

*Power is supplied from AW-RP400.
Power supply AW-PS505A is required for controlling cameras directly
(Maximum control distance : 1 000 m (3 280 ft.))

Power supply	DC12 V
Power consumption	Approx. 3.8 W
Dimensions(WxHxD)	100 mm x 85 mm x 266 mm (4" x 3-3/8" x 10-7/16")
Weight	Approx. 1.4 kg (3.08 lbs)
Accessories	Pan-tilt controller connection cable (10 m (32.8 ft.))

Pan-tilt Head

Multiple types of pan-tilt heads are available for professional camera applications both indoors and outdoors.

Indoor

High Performance Pan-tilt Head AW-PH400



A high performance, high speed, quiet pan-tilt head

- Pan range:400 ° Tilt range:300 °
- Maximum pan/tilt speed:90 °/sec (variable speed)
- Stop accuracy:Maximum 30 seconds (Approx.0.008 degrees)
- Noise: Under NC30 (at 30 °/sec)
- Maximum load:Approx. 8 kg (17.6 lbs)
- 10 tracing memories (Maximum time:600 seconds)
- RS-232C controllable (Through AW-RP400)
- Tally lights are available.
- Maximum control distance:500 m (1 640 ft.) from AW-RP400(Maximum 1 000 m (3 280 ft.) using the protocol converter AW-IF400)
- Memory of last position
- Diagonal motion possible
- Teleprompter output
- Both broadcast and industrial motor driven lenses are acceptable.
- Power Supply(standard accessory) can be installed in pan-tilt head.

Power supply	AC120 V/ AC 220 V to 240 V *	Maximum speed	90 °/s (30 °/s with a teleprompter)
Power consumption	Approx.145 W	Dimensions (WxHxD)	315 mm x 534 mm x 188 mm (12-3/8" x 21" x 7-3/8")
Maximum load	Approx. 8 kg (17.6 lbs)	Weight	Approx. 10.2 kg (22.5 lbs)

* The values vary depending on the region.

Indoor Pan-tilt Head AW-PH405



Example of use with AK-HC1500

A compact pan-tilt head for heavy load

- High pan-tilt speed: 45 °/sec
- Quiet motion: Noise level under NC35 (at 30 °/sec)
- Accuracy (±3 minutes)(0.05 degrees)
- Maximum load: 15 kg (33.1 lbs) (using with a camera, a lens and a teleprompter)
- Pan range: 300 ° Tilt range: 300 °
- 50 preset positions and 10 tracing memories (Maximum time: 300 sec) are available when using the pan-tilt head controller AW-RP655*.
- Up to five camera systems can be controlled using Panasonic controllers. (AW-RP655/RP555/RP400**)
- Maximum control distance: 1 500 m. (4 920 ft.)...AW-RP400 + AW-IF400 (optional protocol converter) 1 000 m. (3 280 ft.)...AW-RP655/RP555
- A removable tally light is available on the pan-tilt head.
- RS-232C controllable (through Panasonic controllers)
- Professional motor drive lenses and broadcast ENG lenses*** can be connected.

* You can't use tracing memories if you use the AW-RP400 in combination with the AW-IF400.
** Use together with the AW-IF400 if you use the AW-RP400.
*** Use an optional cable if you use a broadcast ENG lens.

Power supply	AC120 V/ AC 220 V to 240 V *	Dimensions (WxHxD)	319 mm x 416 mm x 168 mm (12-9/16" x 16-3/8" x 6-5/8")
Power consumption	Approx. 120 W	Weight	Approx. 10.0 kg (22.0 lbs)
Maximum load	Approx. 15 kg (33.1 lbs)	Main accessory	Pan-tilt cable (Approx. 0.4 m (1.312 ft.))

* The values vary depending on the region.

Indoor Pan-tilt Head AW-PH360



Example of use with AK-HC1500 and AK-LZ20M85

A compact pan-tilt head with a wide pan-tilt range

- Pan angle: 300 ° Tilt angle: 190 °
- High performance: Quiet (Under NC30) Pan speed (30 °/sec) / Tilt speed (25 °/sec)
- Accuracy (±3 minutes) (0.05 degrees)
- Smooth starts and stops with soft landing function
- 50 preset memories
- Maximum load: 4 kg (8.8 lbs)
- Maximum control distance 500 m (1 640 ft.) from AW-RP400* 1 000 m (3 280 ft.) from AW-RP655/RP555
- RS232C interface

*AW-PH360 requires Power Supply AW-PS300A.
*The AW-PH360 is available only with the use of the AK-LZ20M85.

Power supply	DC12 V	Dimensions (WxHxD)	130 mm x 244 mm x 192 mm (5-1/8" x 9-5/8" x 7-9/16")
Power consumption	Approx. 1.3 A (pan-tilt head only)	Weight	Approx. 3.5 kg (7.7 lbs)
Maximum load	4 kg (8.8 lbs)		

Power Supply AW-PS300A



Power supply	AC120 V 4.9 A /AC220 V to 240 V *
Dimensions(W x H x D)	210 mm x 51 mm x 275 mm (8-1/4" x 2" x 10-13/16")
Weight	Approx.2.2 kg (4.8 lbs)

* The values vary depending on the region.

Outdoor

Outdoor Pan-tilt Head AW-PH650



Power Supply

Dimensions (WxHxD)	200 mm x 131 mm x 280 mm (7-7/8" x 5-3/16" x 11-1/16")
Weight	Approx. 4.2 kg (9.3 lbs)



Waterproof design for stable shooting despite the rain

- Pan angle:320 ° (±160 °) Tilt angle:+50 ° -90 °
- High performance : Quiet (Under NC40)
- Pan speed (20 °/sec) Tilt speed (20 °/sec)
- In addition to zooming, panning and tilting functions, heater, wiper and defroster functions for the housing can also be controlled by the controller.
- 50 preset memories
- Maximum load: Approx. 10 kg (22 lbs)
- Maximum control distance: 1 000 m. (3 280 ft)
- A camera housing, a power supply and cables are included with the AW-PH650.

Power supply	AC120 V / AC 220V to 240 V *
Power consumption	Approx.120 W

Housing	
Dimensions (WxHxD)	246 mm x 314 mm x 685 mm (9-11/16" x 12-3/8" x 26-15/16")
Weight	Approx.18 kg (39.7 lbs)

Pan-tilt Head

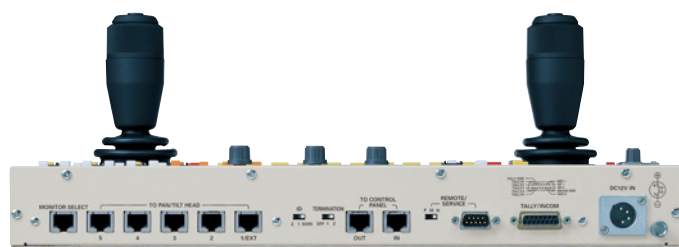
Dimensions (WxHxD)	237 mm x 511 mm x 213 mm (9-5/16" x 20-1/8" x 8-3/8")
Weight	Approx. 19 kg (41.9 lbs)
Accessories	Power cable: Approx. 30 m. (98 ft.) Control cable: Approx. 10 m (32.8 ft.) Camera cable: Approx. 0.4 m (1.312 ft.)

* The values vary depending on the region.

Pan-tilt Control Panel

Versatile pan-tilt systems for controlling multiple cameras, designed to satisfy a wide range of applications.

Multi-function Controller AW-RP655



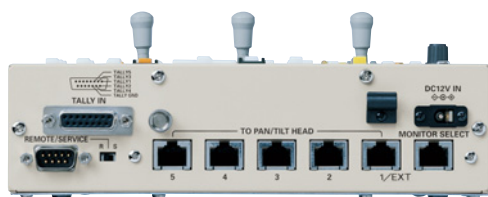
(Rear view)

High performance multi-function controller with full camera control function

- Controls maximum five cameras and five pan-tilt heads without hub unit.
- Full camera control by LCD menu
- Control speed can be adjusted by the angle of the operation lever and high speed and low speed mode can be switched.
- 50 pre-set memories per camera
- Ergonomically designed joystick controller
- Maximum 300 seconds tracing memory
- Maximum control distance from controller to pan-tilt head : 1 000 m (3 280 ft.) (AW-PH360,AW-PH650)
- This controller can control an AW-PH400 by using a protocol converter (AW-IF400).
- The motion direction of the operation lever can be reversed.
- Two additional controllers can be connected.
- This controller can be placed on a desk or mounted in a rack.
- Power Supply AW-PS505A is required.

Power supply	DC12 V
Power consumption	Approx.9.0 W
Dimensions (WxHxD)	420 mm x 52 mm x 220 mm (16-1/2" x 2-1/16" x 8-11/16")
Weight	Approx. 3.5 kg (7.7 lbs)
Accessory	Rack mounting adapters (5U) x 2 Mounting screws (M4 x 8 mm) x 4

Compact size controller AW-RP555



(Rear view)

Compact controller with full camera control function

- Controls up to five cameras and five pan-tilt heads
- Full camera control by camera menu
- Speed of controls can be adjusted by the angle of the operation lever.
- 10 pre-set memories per camera.
- Maximum control distance from pan-tilt head to controller: 1 000 m. (3 280 ft.) (AW-PH360,AW-PH650)
- With a protocol converter (AW-IF400), this controller can control the AW-PH400.
- The motion direction of the operation lever can be reversed or changed.
- This controller can be placed on a desk or mounted in a rack.
- (The position of input and output connectors can be changed by 90 degrees)
- Power Supply AW-PS505A is required.

Power supply	DC12 V
Power consumption	Approx.9.0 W
Dimensions (WxHxD)	210 mm x 58 mm x 177 mm (8-1/4" x 2-5/16" x 7")
Weight	Approx. 1.4 kg (3.08 lbs)
Accessory	Rack mounting adapters (5U) x 2 Mounting screws (M4 x 8 mm) x 4

Pan-tilt Controller AW-RP400

Joystick controller can be changed for seesaw controller. (Standard accessory)



Seesaw controller



(Rear view)

High performance controller for professional and broadcast use

- Changeable zoom/focus controller (joystick/seesaw)
- Joystick with camera roll control
- 50 preset positions
- 5 pan-tilt heads control
- Zoom/Focus/Pan/Tilt speed control
- Tally/Intercom function
- 10 minutes tracing memory (60 seconds x 10 positions)*
- RS232C interface
- Maximum control distance: 500 m (1 640 ft.)**
- Cross control by two controllers
- Camera control inputs (AW-CB400)
- +DC12 V operation (Power Supply AW-PS505A is required.)

* This function does not work for AW-PH405/PH650.

** Maximum 1 000 m. (3 280 ft) using the Protocol Converter AW-IF400.

Power supply	DC12 V
Power consumption	Approx. 13 W
Dimensions (WxHxD)	320 mm x 85 mm x 266 mm (12-5/8" x 3-3/8" x 10-1/2")
Weight	Approx. 3.8 kg (8.4 lbs)
Accessories	Zoom switch x 1, Plug (D-SUB 15pin) for tally/INCOM system x 1 set, Rack-mounting adapters x 2, Mounting screws (M4 x 8 mm) x 4

Protocol Converter AW-IF400



(Rear view)

Protocol converter for connecting to any pan-tilt head

- High performance pan-tilt head (AW-PH400) can be controlled by controllers (AW-RP555, AW-RP655) by using this protocol converter (AW-IF400).*
- Outdoor pan-tilt head (AW-PH650) can be controlled by high performance controller (AW-RP400) by using this protocol converter (AW-IF400).*
- By using protocol converter AW-IF400, control distance between AW-PH400 & AW-RP400 can be extended up to 1 000 m (3 280 ft.).
- Power Supply AW-PS505A is required.

* Maximum control distance: 1 500 m (4 920 ft.)

Power supply	DC12 V
Power consumption	Approx. 1.5 W
Dimensions (WxHxD)	145 mm x 30 mm x 85 mm (5-11/16" x 1-3/16" x 3-3/8")
Weight	Approx. 0.4 kg (0.88 lbs)

Availability of the tracing memory function

	AW-PH400	AW-PH405	AW-PH360	AW-PH650
AW-RP655	●	●	●	●
AW-RP555	-	-	-	-
AW-RP400	●	-	●*	-

* When you use it with AW-IF400, activating the extended distance transmission function is required.

Cables

Name	Number	Connection equipments		Length	Note
Pan-tilt cable kit	AW-CAK4H1	AK-HC1500	AW-PH400/PH405	0.7 m/3 m	Pan-tilt cable: 0.7 m/Control cable: 3 m
Pan-tilt cable	AW-CA15H29	AK-HC1500	AW-PH400/PH405	0.7 m	
Lens cable for Fujinon ENG lens	AW-CA4FLZ	Fujinon ENG (RD) lens	AW-PH400/PH405	0.8 m	For AK-HC1500/3CCD Convertible Camera AW-E860
Lens cable for Canon digital lens	AW-CA4DLZ	Canon ENG digital lens	AW-PH400/PH405	0.8 m	For AK-HC1500/3CCD Convertible Camera AW-E860
Lens cable for Canon analog lens	AW-CA4ALZ	Canon ENG analog lens	AW-PH400/PH405	0.8 m	For AK-HC1500/3CCD Convertible Camera AW-E860
Pan-tilt extension cable	AW-CA24T24	AW-PH650	AK-HRP150 etc.	20 m	

System example

Remote studio system

Content production at small, cost effective studios

Key points

- A total of five cameras/pan-tilt heads can be controlled by one controller.
- A teleprompter can be installed on the pan-tilt head (AW-PH405).
- Quiet pan-tilt motion for shooting in a quiet studio.



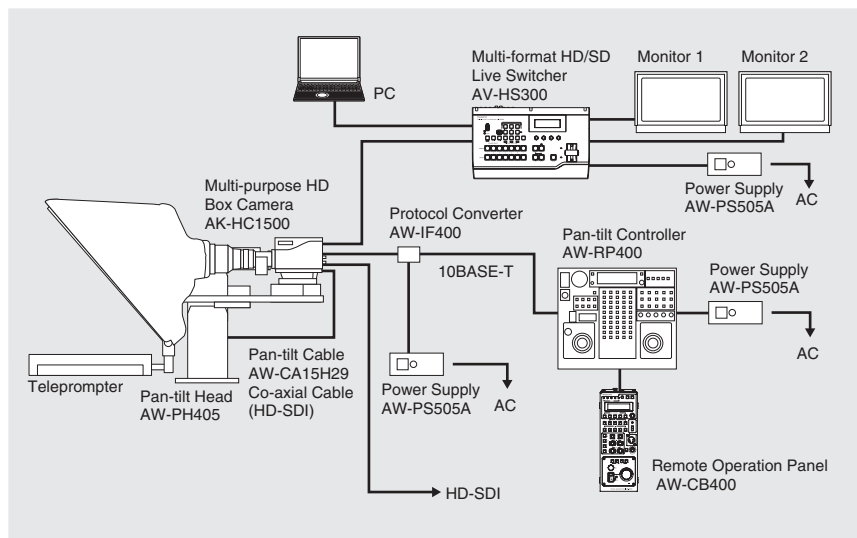
Key products

AK-HC1500

AW-PH405

AW-RP400

AW-CB400



- Camera Head AK-HC1500 1
- HD Zoom Lens 1
- Indoor Pan-tilt Head AW-PH405 1
- Pan-tilt Controller AW-RP400 1
- Remote Operation Panel AW-CB400.. 1
- Power Supply AW-PS505A 3
- Pan-tilt Control Cable AW-CA15H29.. 1
- Protocol Converter AW-IF400 1
- HD/SD Live Switcher AW-HS300 1
- Protocol Converter AW-IF400 1
- Color Production Monitor 2
- Teleprompter 1

HD video conferencing system

Quiet, accurate pan-tilt motion and high quality HD video images for video conferencing

Key points

- A total of five cameras/pan-tilt heads with 50 preset positions can be controlled by one controller.
- High quality HD video images can be provided.
- Maximum control distance is 1 000 m. (3 280 ft).

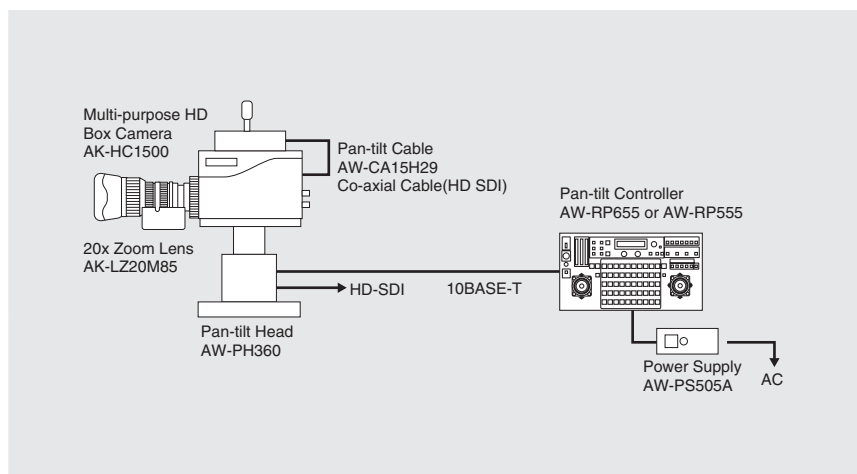


Key products

AK-HC1500

AW-PH360

AW-RP655



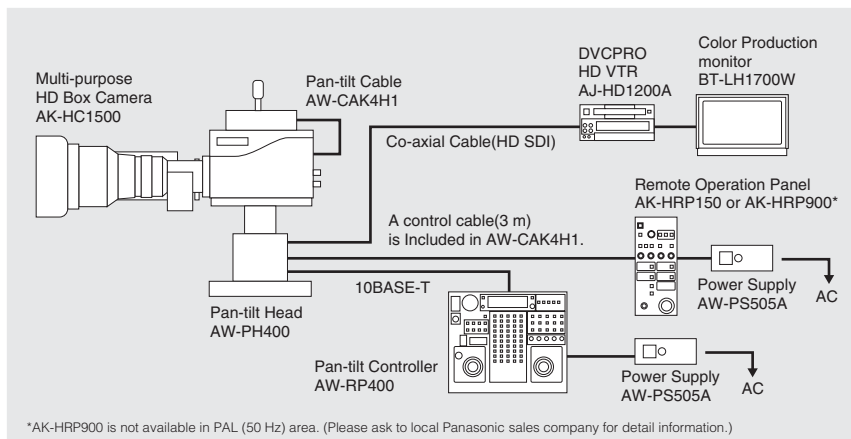
- Camera Head AK-HC1500 1
- 20x Zoom Lens AK-LZ20M85 1
- Indoor Pan-tilt Head AW-PH360 1
- Pan-tilt Controller AW-RP655 1
- Power Supply AW-PS505A 1
- Pan-tilt Control Cable AW-CA15H29.. 1

Sports event relays

High speed and accurate camera operation for sports shooting

Key points

- High speed (90° /s) and accurate pan-tilt operation for sports event relays
- AW-RP400's zoom/focus control lever can be changed to a seesaw type controller.
- Maximum control distance is 1 000 m (3 280 ft.) using a protocol converter AW-IF400.



Key products

AK-HC1500

AW-PH400

AW-RP400

AK-HRP150

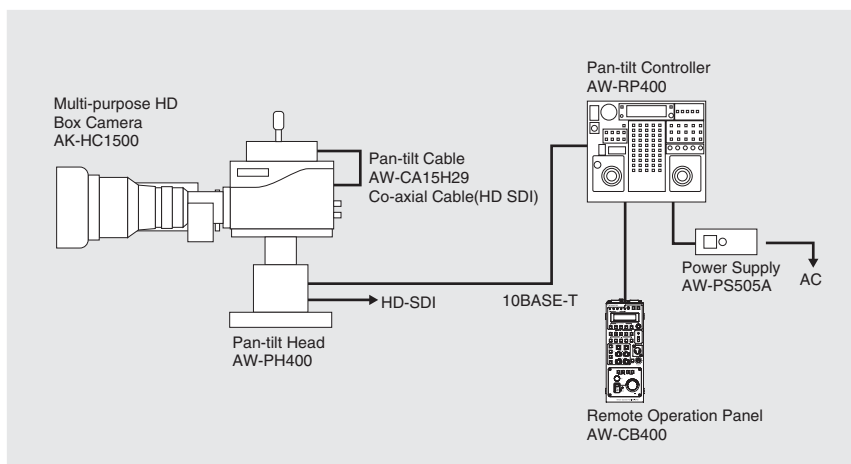
- Camera Head AK-HC1500 1
- HD Zoom Lens 1
- Indoor Pan-tilt Head AW-PH400 1
- Pan-tilt Controller AW-RP400 1
- Remote Operation Panel AK-HRP150 1
- Power Supply AW-PS505A 2
- Pan-tilt Control Cable AW-CAK4H1 1
- DVCPRO HD VTR 1
- Color Production Monitor 1

Special surveillance system

High sensitivity HD camera AK-HC1500 allows shooting in dim light conditions.

Key points

- Maximum sensitivity of AK-HC1500 is 0.015 lx (F1.4/68 dB gain).
- 720p progressive scan high quality images for analyzing animal behavior with a PC
- Quiet, high speed pan-tilt head for following animal behavior



Key products

AK-HC1500

AW-PH400

AW-RP400

AW-CB400

- Camera Head AK-HC1500 1
- HD Zoom Lens 1
- Indoor Pan-tilt Head AW-PH400 1
- Pan-tilt Controller AW-RP400 1
- Remote Operation Panel AW-CB400 1
- Power Supply AW-PS505A 1
- Pan-tilt Control Cable AW-CA15H29 1

System example

Weather information camera

High quality images can be provided in any weather conditions.

Key points

- All weather camera/pan-tilt system with waterproof, outdoor pan-tilt head
- Maximum control distance between AW-RP655 and AW-PH650 is 1 000 m. (3 280 ft.)
- Maximum 42 times zoom lens can be put in the outdoor housing.



Key products

AK-HC1500

AW-PH650

AW-RP655

AK-HRP150

- Camera Head AK-HC1500..... 1
- HD Zoom Lens 1
- Outdoor Pan-tilt Head AW-PH650 1
- Pan-tilt Controller AW-RP655..... 1
- Remote Operation Panel AK-HRP150 ... 1
- Power Supply AW-PS505A 2

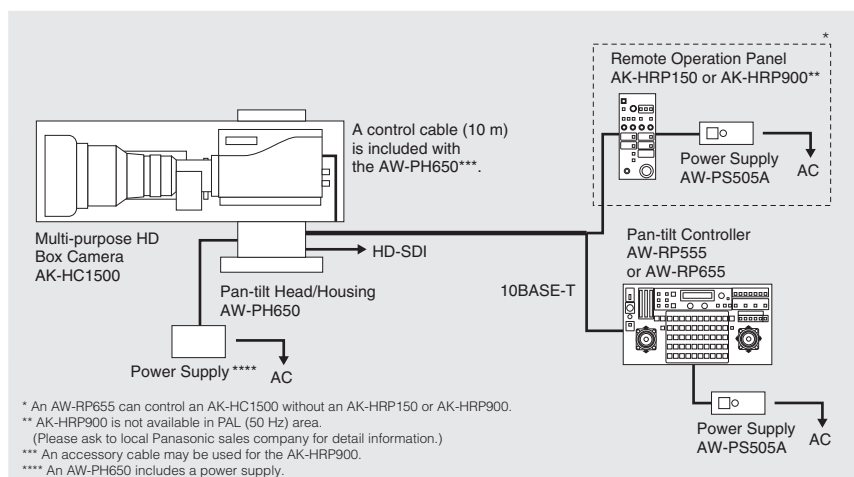


Image analysis camera

High quality progress video can be provided for analyzing images using a PC.

Key points

- The AK-HC1500 can output 720p high quality progressive video.
- Maximum control distance between an AW-RP655 and AW-PH400 is 1 500 m (4 920 ft.)*
- Maximum 42 times zoom lens can be housed in all weather proof outdoor housing.



Key products

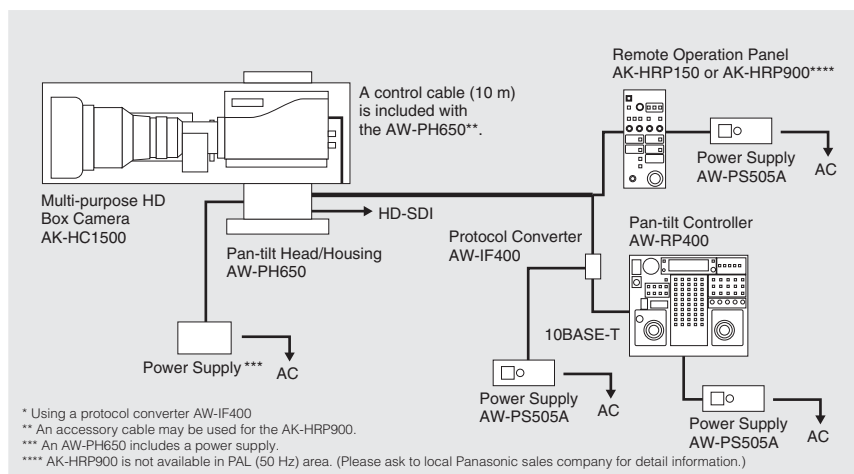
AK-HC1500

AW-PH650

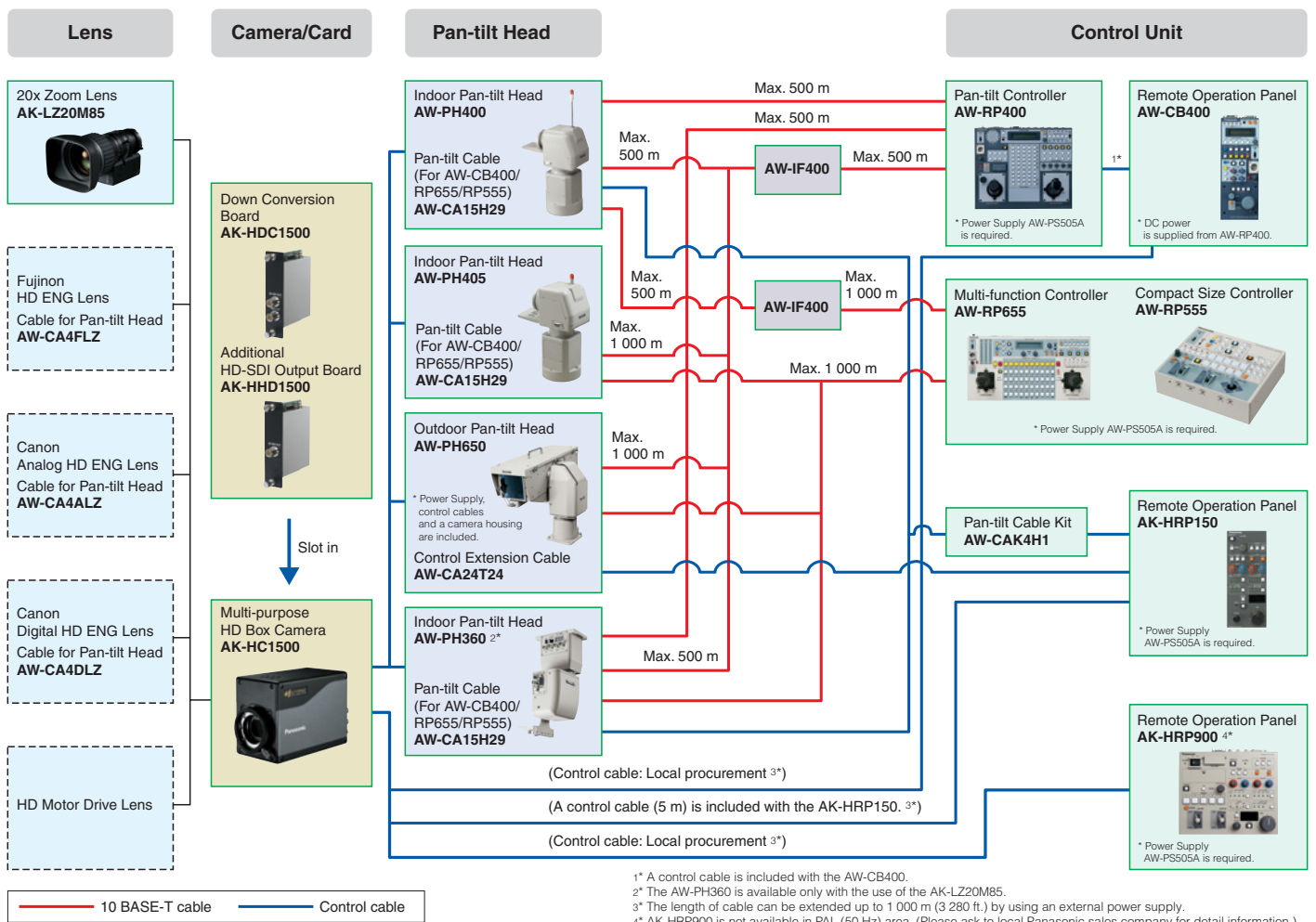
AW-RP400

AK-HRP150

- Camera Head AK-HC1500..... 1
- HD Zoom Lens 1
- Outdoor Pan-tilt Head AW-PH650 1
- Pan-tilt Controller AW-RP400..... 1
- Remote Operation Panel AK-HRP150 ... 1
- Power Supply AW-PS505A 3
- Protocol Converter AW-IF400 1



Product configuration diagram



A compact, multi-purpose unit compatible with global HD and SD formats.



Multi-format HD/SD compatibility lets you meet changing needs as production switches to HD worldwide. It also helps assure a trouble-free transition from conventional SD operation to HD operation. Better still, the main unit and control panel are integrated in a compact body while DC 12 V external power operation assures easy maneuverability when producing in the field.

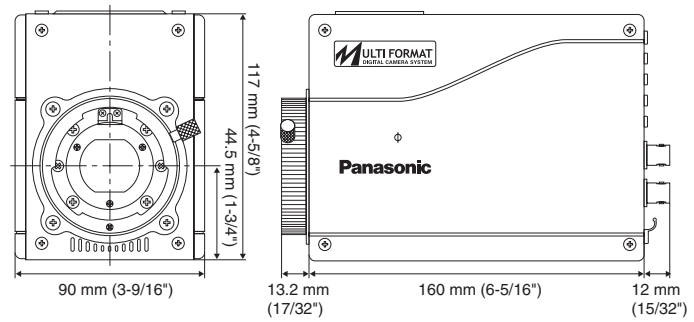
Multi-format HD/SD Live Switcher **AV-HS300**

For more details please consult a separate brochure.

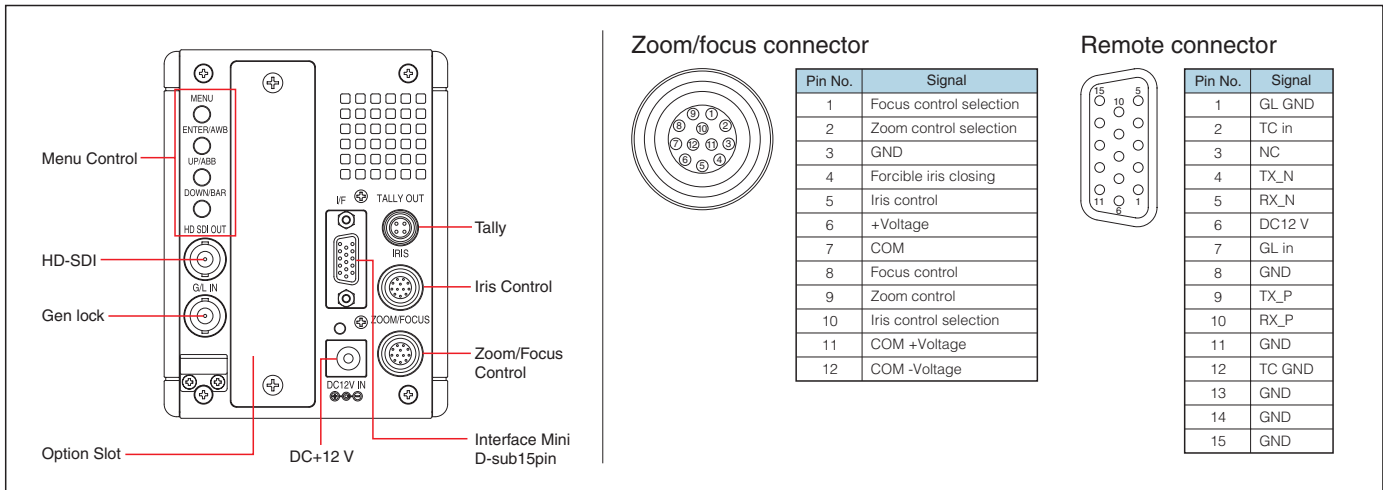
Specifications

CCD	2/3" 1-megapixel IT-3CCD
Image sensing method	GBR Image sensing method
Total number of pixels	1 370 (H) x 744 (V)
Effective number of pixels	1 280 (H) x 720 (V)
Optical prism	F1.4 Prism
Optical filter	(ND) 100 %, 25 %, 6.3 %, 1.6 %
Lens mount	2/3" Bayonet type
Output format	1080 : 60i/59.94i/50i/30psF/29.97psF/25psF/24psF/23.98psF 720 : 60p/59.94p/50p
Sensitivity	F10.0 at 2 000 lx, 3 200 K, white reflection rate 89.9%
Minimum illumination	0.015 lx (F1.4 / 68 dB)
Gain	72 dB
S/N	54 dB
Smear	Less than -130 dB
M.T.F.	45 % (27.5 MHz, 720 p / 60 p)
Synchronize system	Internal and external synchronization (Tri-level SYNC/Black Burst)
Input	GENLOCK : BNC x 1, Interface : Mini D-sub 15pin terminal
Output	HD-SDI : BNC x 1
Input/output	Lens aperture connector, lens zoom focus connector
Operating temperature	0 °C to 40 °C (32 °F to 104 °F)
Storage temperature	-20 °C to 60 °C (-4 °F to 140 °F)
Power supply	DC12 V
Power consumption	Approx. 17 W
Dimensions(WxHxD)	Approx. 90 mm x 117 mm x 160 mm (3-9/16" x 4-5/8" x 6-5/16")
Weight	Approx. 1.5 kg (3.3 lbs)

(Dimensions)



Rear view



Panasonic

Matsushita Electric Industrial Co., Ltd.
Panasonic System Solutions Company
Corporate Broadcast and Multimedia Division

4-3-1 Tsunashima-Higashi,
Kohoku-ku, Yokohama City 223-8639, Japan
<http://panasonic.biz/broad/>

Australia +61 2 9887 6222
Bahrain +973 252292
Egypt +20 2 3938151
Indonesia +62 21 385 9449
Iran +98 21 2271463
Jordan +961 6 586 1914
Kazakhstan +7 3272 980 891

Kuwait +965 481 2123
Lebanon +961 1 216827
Malaysia +60 3 5549 5422
New Zealand +64 9 272 0100
Pakistan +92 5370320 21
Russia & CIS +7 495 980 42 06
Saudi Arabia +966 1 465 0709
Singapore +65 6270 0110
South Africa +27 11 313 1400

Thailand +66 2 731 8888
U.A.E. +971 4 282201
Ukraine +380 44 4903437
+380 44 4903438
[ext. 112]