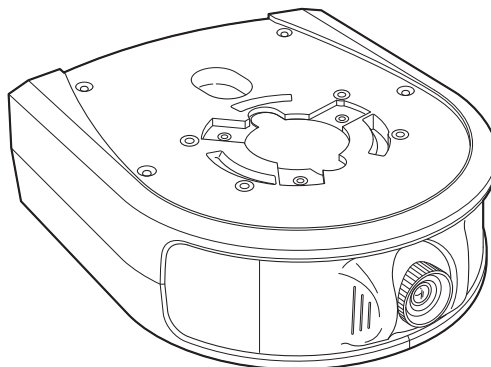


Installation Instructions Operating Instructions **Excerpted Version**

Control Assist Camera

Model No. **AW-HEA10WPJ**
Model No. **AW-HEA10KPJ**
Model No. **AW-HEA10WEJ**
Model No. **AW-HEA10KEJ**



HDMI

ENGLISH
Excerpted Version

This manual is an excerpted version of the full Operating Instructions. For more information, please visit the Panasonic website (<http://pro-av.panasonic.net/en/manual/index.html>), and refer to the Operating Instruction (PDF).

DEUTSCH

Dieses Handbuch stellt eine Kurzversion der vollständigen Bedienungsanleitung dar. Weitere Informationen finden Sie auf der Panasonic-Webseite (<http://pro-av.panasonic.net/en/manual/index.html>) und in der Bedienungsanleitung (PDF).

FRANÇAIS

Ce manuel est une version extraite du mode d'emploi complet. Pour de plus amples informations, visiter le site Web de Panasonic (<http://pro-av.panasonic.net/en/manual/index.html>) et consulter le mode d'emploi (PDF).

ITALIANO

Questo manuale è un estratto dalle istruzioni per l'uso complete. Per maggiori informazioni, per favore visitare il sito web Panasonic (<http://pro-av.panasonic.net/en/manual/index.html>), e fare riferimento alle istruzioni per l'uso (PDF).

ESPAÑOL

Este manual es una versión extractada de las instrucciones de funcionamiento completo. Si desea obtener más información, visite el sitio web de Panasonic (<http://pro-av.panasonic.net/en/manual/index.html>) y consulte las instrucciones de funcionamiento (PDF).

Before operating this product, please read the instructions carefully and save this manual for future use.

■ Trademarks and registered trademarks

- Microsoft®, Windows®, Windows® 7, Windows® 8, Internet Explorer®, ActiveX® and DirectX® are either registered trademarks or trademarks of Microsoft Corporation in the United States and other countries.
- Apple and Mac, OS X, iPad, and Safari are registered trademarks of Apple Inc., in the United States and other countries. App Store is a service mark of Apple Inc.
- Intel®, Intel® Core™ are trademarks or registered trademarks of Intel Corporation in the United States and other countries.
- HDMI, the HDMI logo and High-Definition Multimedia Interface are the trademarks or registered trademarks of HDMI Licensing, LLC in the United States and other countries.
- Other names of companies and products contained in these Installation Instructions and Operating Instructions may be trademarks or registered trademarks of their respective owners.

■ About copyright and license

Distributing, copying, disassembling, reverse compiling, reverse engineering, and also exporting in violation of export laws of the software provided with this unit are expressly prohibited.

■ Abbreviations

The following abbreviations are used in this manual.

- Microsoft® Windows® 7 Professional SP1 32-bit/64-bit is abbreviated to "Windows 7".
- Microsoft® Windows® 8 Pro 32-bit/64-bit is abbreviated to "Windows 8".
- Windows® Internet Explorer® 8.0, Windows® Internet Explorer® 9.0, Windows® Internet Explorer® 10.0 and Windows® Internet Explorer® 11.0 are abbreviated to "Internet Explorer".

For the purposes of this manual, the model numbers of the units are given as listed in the table below.

Model number of unit	Model number given in manual
AW-HEA10WPJ	AW-HEA10
AW-HEA10KPJ	
AW-HEA10WEJ	
AW-HEA10KEJ	
AW-HE130WP	AW-HE130
AW-HE130KP	
AW-HE130WE	
AW-HE130KE	
AW-HE40HWP	AW-HE40
AW-HE40HKP	
AW-HE40HWE	
AW-HE40HKE	
AW-HE40SWP	
AW-HE40SKP	
AW-HE40SWE	
AW-HE40SKE	

Control assist camera AW-HEA10 is referred to as "the unit" in this manual.

Also, HD integrated cameras AW-HE130 and AW-HE40 are referred to by the generic term "HD integrated camera."

■ Illustrations and screen displays featured in the manual

- What is shown in the manual's illustrations and screen displays may differ from how it actually appears.
- The screenshots are used in accordance with the guidelines of Microsoft Corporation.

Installation Instructions

Read this first!	4	How to mount the HD integrated camera	14
Installation precautions	5	Suspended installation.....	14
Adjusting the shooting range	6	Standing installation.....	16
How to attach the mount brackets	7	How to remove the camera	17
About the mount brackets	7	How to remove the HD integrated camera.....	17
Suspended installation.....	7	How to remove the control assist camera (this unit).....	18
Standing installation.....	8	Connections	19
How to install and connect the unit	9	Connecting a monitor and personal computer	19
Suspended installation.....	9	System connection example.....	19
When using the WV-Q105A (optional accessory).....	12	Appearance	20
Standing installation.....	13		

Operating Instructions

Read this first! (For AW-HEA10WPJ, AW-HEA10KPJ)	21	Controlling the cameras with the PTZ Cntrl app	31
Read this first! (For AW-HEA10WEJ, AW-HEA10KEJ)	23	Installing PTZ Cntrl	31
Before use	25	Connecting with the iPad	31
Overview	25	Configuring the initial settings of PTZ Cntrl.....	31
Personal computer requirements.....	25	Controlling the cameras with PTZ Cntrl	32
Disclaimer of warranty	26	Troubleshooting	33
Network security	26	Precautions when using a personal computer	35
Accessories	27	When using Windows	35
Optional accessories	27	When using Mac	36
Operating precautions	28	Specifications	37
Parts and their functions	29	Index	37
Network settings	30		
Using Easy IP Setup Software to configure the unit's settings	30		
Installing the software	30		
Configuring the network settings.....	30		

Read this first!

WARNING:

To prevent injury, this apparatus must be securely attached to the floor/wall in accordance with the installation instructions.

WARNING:

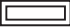
Installation should only be performed by qualified installation personnel.
Improper installation may result in the entire apparatus falling down and causing injury.

CAUTION:

This camera intended for use only with the Mount Bracket enclosed with the unit and Panasonic Direct Ceiling Mount Bracket, WV-Q105A.
Use with other apparatus is capable of resulting in instability causing possible injury.

CAUTION:

These servicing instructions are for use by qualified service personnel only.
To reduce the risk of fire or electric shock, do not perform any servicing other than that contained in the operating instructions unless you are qualified to do so.

 indicates safety information.

Installation precautions

Panasonic does not accept any responsibility for accident or damage during installation if procedure in this manual is not followed.

To installation personnel

Read the "Installation Instructions" thoroughly and then perform the operation correctly and safely. Also, always read the "Read this first!" (→ page 4) of this manual as they contain important information. After the installation, give the "Installation Instructions" to the customer to save for future use.

■ Ensure that the installation work complies with the technical standards governing electrical equipment.

■ This unit is for indoor use only.

It cannot be used outdoors. Avoid installation in a location where the unit will be exposed to direct sunlight for extended periods or near a cooling or heating appliance. Otherwise, deformation, discoloration, malfunctioning and/or problems in operation may result. Operate the unit where it will not be splashed or sprayed by water.

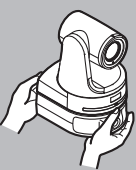
■ Use the unit with an installation where the unit is suspended from an overhead surface or standing.

Do not use the unit on its side or tilted at an angle.

<NOTE>


- Be absolutely sure to use the bracket mounting screws supplied with the unit to mount the bracket. Do not use wood screws, nails, etc. In the case of a concrete ceiling, secure the unit using anchor bolts (for M4) or AY plug bolts (for M4). **Recommended tightening torque M4 · 1.47 N · m {15 kgf · cm}**
- The withdrawal strength of the mounting location for each screw must be at least 294 N {30 kgf}.
- When mounting the unit on a ceiling made of plasterboard, for instance, if it is not strong enough to support its weight, either reinforce the ceiling adequately or use the WV-Q105A direct ceiling mount bracket, which is sold separately.
- When using a mount bracket which is sold separately, read the handling instructions.
- Do not hold the camera head while undertaking the installation work. Doing so may cause malfunctioning.

OK




Standing installation

NG




OK



Suspended installation

NG



■ Concerning the installation location

Install the unit in a stable location which will not be susceptible to shaking. If the unit is installed in a location which is susceptible to shaking, this will cause the unit's images to shake in turn. Install the unit on a ceiling that is strong enough (such as a concrete ceiling). If the unit is to be installed on a ceiling which is not strong enough, reinforce the ceiling sufficiently first.

■ Do not install or use the unit in the following kinds of locations.

- On walls (where the unit would be installed sideways)
- In locations (including places such as under the eaves of a building) where the unit would be directly exposed to rain or water
- In locations such as kitchens where there are high concentrations of steam and grease
- In outdoor locations or hot places where the temperature will exceed 40°C (104°F)
- In cold locations where the temperature will drop below 0°C (32°F)
- In locations where the humidity will exceed 80%
- In locations where chemicals are used such as near swimming pools
- At sea, in coastal areas or in locations where corrosive gases are emitted
- In locations where radiation, X-rays, or strong radio waves or magnetic fields are generated
- In locations where the unit would be subject to a great deal of vibration such as on board a vehicle or ship (this unit is not designed to be used in vehicles)
- In locations where the temperature is subject to sudden changes such as near the air outlet of an air conditioner or near a door which allows the outside air to come in

■ What to avoid to ensure that the unit will perform stably over a prolonged period.

- Using the unit for a prolonged period in a location with high temperature and humidity levels will cause its parts to deteriorate and shorten its service life.
- Ensure that a cooling unit or heating unit will not blow any air directly toward the installation location.

■ Be absolutely sure to use the supplied brackets and screws to install the camera.

- Do not mount the unit by employing any methods other than those specified.
- Do not remodel the mounting bracket or mounting screws provided with the unit.

AW-HEA10 main unit	Mounting conditions					
	Applicable mount bracket			Mounting onto the ceiling		
Mass	Model No.	Mass	Mounting	Recommended screws	No. of screws	Minimum withdrawal strength (per screw)
Approx. 0.9 kg (1.98 lb) (Including mount bracket)	Direct mount (supplied accessory)	Approx. 0.3 kg (0.66 lb)	Suspended/Standing	M4 screws (supplied accessory)	4	294 N {30 kgf} • Ensure that the mounting strength can support a weight that is at least five times the total mass when the unit and HD integrated camera are mounted.
	WV-Q105A (optional accessory)	Approx. 0.15 kg (0.33 lb)	For ceiling	M4 screws (supplied with the WV-Q105A)	4	

Installation precautions (continued)

■ Before installation, always disconnect the power plug.

When installing, always use the supplied components.
Do not disassemble or modify the wall mount adaptor.

■ Tightening up the mounting screws

- Tighten up the screws and bolts securely to the degree that is appropriate for each of the materials used in the mounting location and structures.
- After tightening up the screws and bolts, check that there is no unsteadiness and that the parts have been tightened securely.
- **Use the specified tools to firmly tighten the screws to the specified tightening torques.**

Screw diameter	Tightening torque
M3	0.78 N · m {8 kgf · cm}
M4	1.47 N · m {15 kgf · cm}

- Tighten up the screws using the specified torque driver. Do not use electrical drivers or impact drivers.

■ When the unit is no longer going to be used, do not leave it lying around, but be absolutely sure to dispose of it properly.

For details on how to remove the unit, refer to "How to remove the camera" (→ page 17).

■ Do not attach a filter, hood, extender or other parts to the unit.

■ Use the dedicated AC adaptor and power cable provided with the unit.

Connect the AC adaptor and power cable to the power inlet securely.

■ Installing the AC adaptor

- Do not place the AC adaptor directly onto the ceiling panel or other such surface. Extreme danger is posed when water has collected on the surface as a result of leaking rain, for instance. Secure the adaptor firmly to the bottom or other surface of a reinforcing member made of channel steel where dust and other foreign matter will not accumulate.
(→page 12)
- Secure the adaptor firmly so that there will be no chance that it will fall off or fall down. Secure it using a strength which can withstand the mass (approx. 0.3 kg (0.66 lb)) of the AC adaptor.

■ Install the accessory AC adaptor near the main power outlet, and position it in such a way that its power plug can be plugged into and unplugged from the outlet easily.

When connecting the AC adaptor to a power outlet on the ceiling or on any other surface where dust may collect, wipe off the dust on the power plug at periodic intervals as an anti-tracking measure.

■ Connecting the power cable

Be absolutely sure to connect the power cable of the AC adaptor through a circuit breaker using one of the following methods.

- (1) Connect the power cable through a power control unit.
- (2) Connect the power cable to a circuit breaker in a power distribution panel with a contact distance of 3.0 mm (1/8 inches) or more.
Use a circuit breaker which is capable of shutting off all the poles of the main power supply with the exception of the protective ground conductor.
- (3) Install the AC adaptor near the power outlet, and connect it through the power plug.

■ If there is a possibility of noise interference

Wire the cables so that the power cable (ceiling light cord) of AC 100 V*1 (AC 220 V*2) or more, and the signal cable are placed at least 1 meter (3.3 ft) apart.

Alternatively, run each cable through its own metal conduit. (The metal conduits must be grounded.)

*1 For AW-HEA10WPJ, AW-HEA10KPJ

*2 For AW-HEA10WEJ, AW-HEA10KEJ

■ Radio signal interference

If the unit is positioned near a TV or radio transmitting antenna or a strong electrical field or magnetic field (such as that generated by a motor, transformer or power lines), its images may be distorted and/or the images may be affected by noise.

■ When connecting the cables, ensure that the connector areas will not be subject to any load.

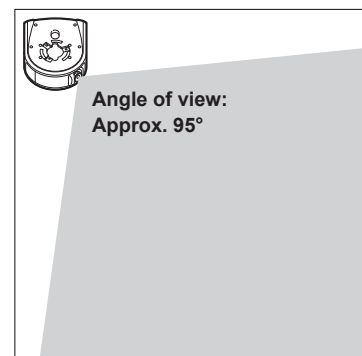
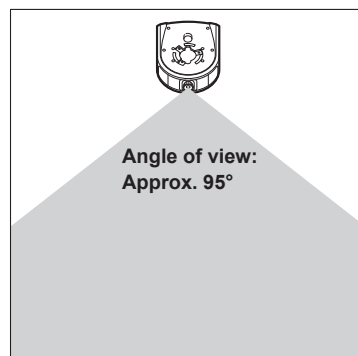
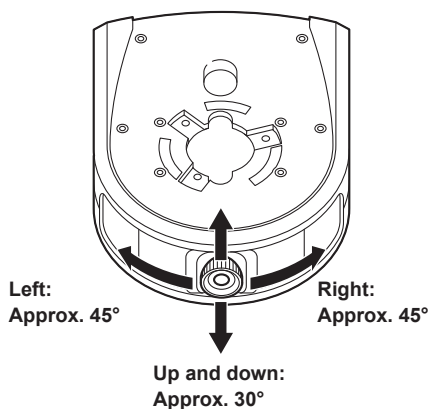
Doing so may cause malfunctioning.

■ PoE power supplies

Use a PoE (IEEE802.af) compatible hub or power supply device.

Adjusting the shooting range

You can manually adjust the pan (approximately 45° left and right) and tilt (approximately 30° up and down) for the lens of the unit.
Adjust the shooting range depending on the installation location.



How to attach the mount brackets

About the mount brackets

The unit comes with three mount bracket types (A/B/C).

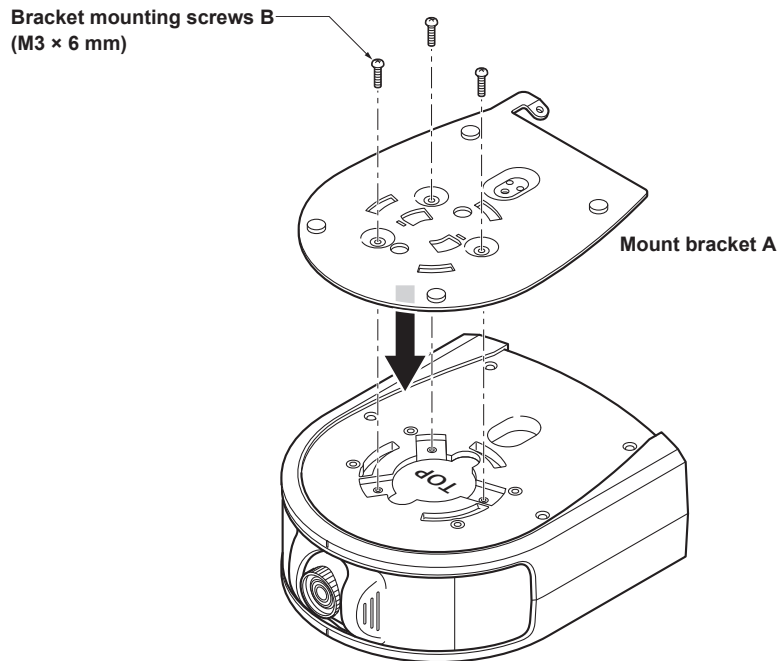
The mount bracket types to use and the attachment procedure differ depending on the model of the HD integrated camera to be mounted to the unit and installation method (ceiling-suspended or standing installation).

Installation method	Camera to be mounted to unit	Mount bracket A	Mount bracket B *1	Mount bracket C
Suspended installation	AW-HE130	Attach to top	Attach to bottom	Not used
	AW-HE40	Attach to top	Not used	Attach to bottom
Standing installation	AW-HE130	Attach to bottom	Attach to top	Not used
	AW-HE40	Attach to bottom	Not used	Attach to top

*1 Two mount brackets B are supplied with the unit. One of them is used as the fixing bracket for ceiling-suspended or standing installation.

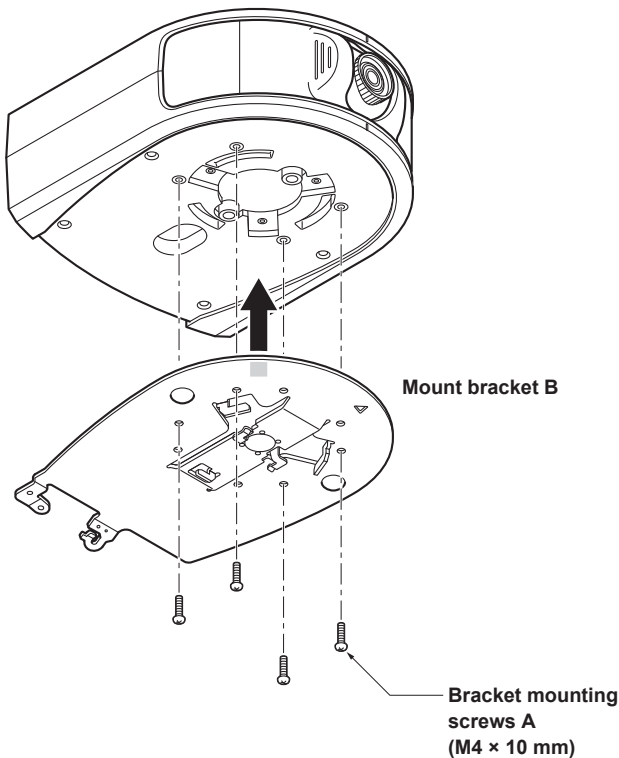
Suspended installation

Attach mount bracket A to the top of the unit (surface with TOP mark) with supplied bracket mounting screws B (M3 x 6 mm).



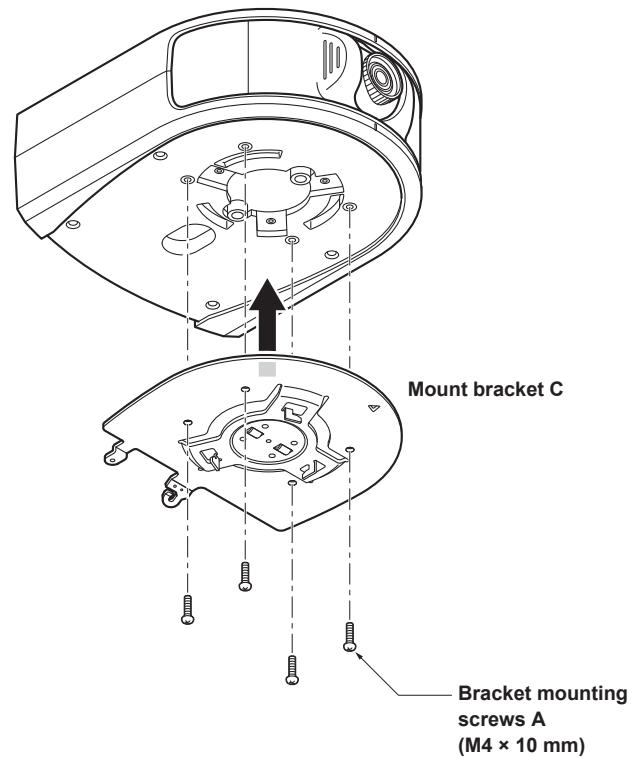
● When mounting AW-HE130 to the unit

Attach mount bracket B to the bottom of the unit with supplied bracket mounting screws A (M4 x 10 mm).



● When mounting AW-HE40 to the unit

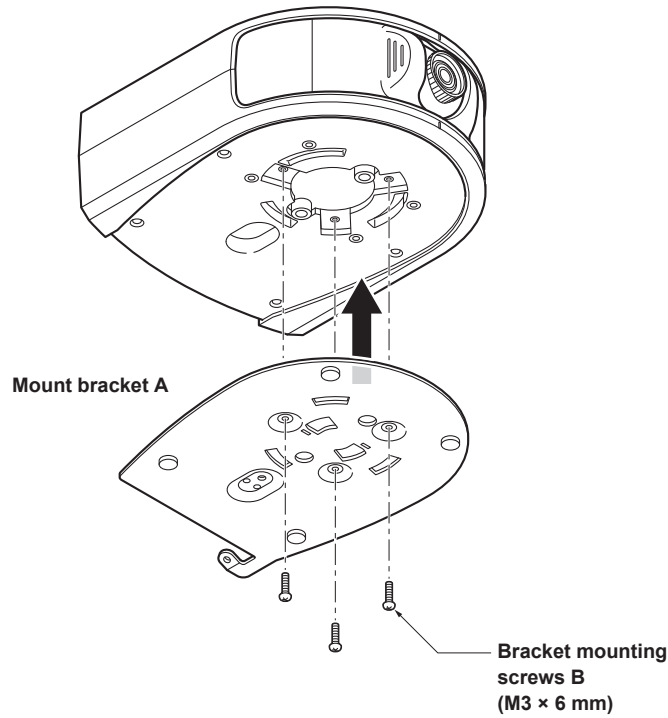
Attach mount bracket C to the bottom of the unit with supplied bracket mounting screws A (M4 x 10 mm).



How to attach the mount brackets (continued)

Standing installation

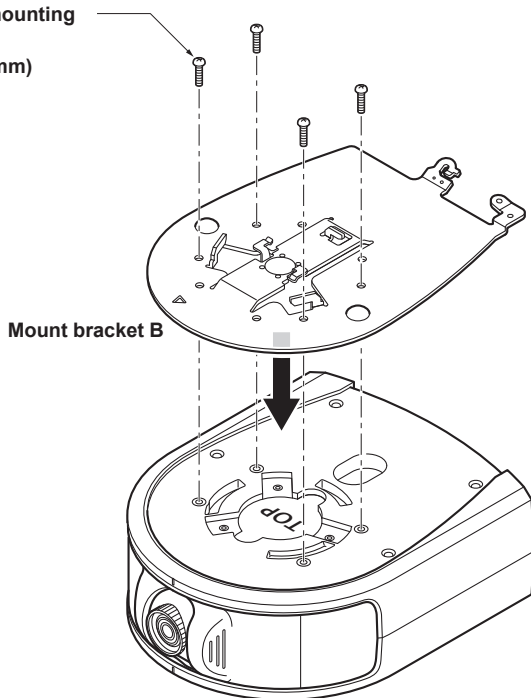
Attach mount bracket A to the bottom of the unit with supplied bracket mounting screws B (M3 x 6 mm).



● When mounting AW-HE130 to the unit

Attach mount bracket B to the top of the unit (surface with TOP mark) with supplied bracket mounting screws A (M4 x 10 mm).

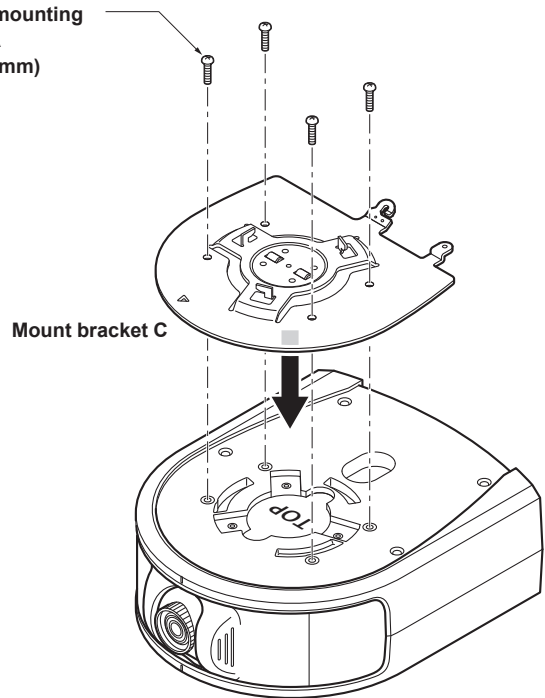
Bracket mounting screws A (M4 x 10 mm)



● When mounting AW-HE40 to the unit

Attach mount bracket C to the top of the unit (surface with TOP mark) with supplied bracket mounting screws A (M4 x 10 mm).

Bracket mounting screws A (M4 x 10 mm)



How to install and connect the unit

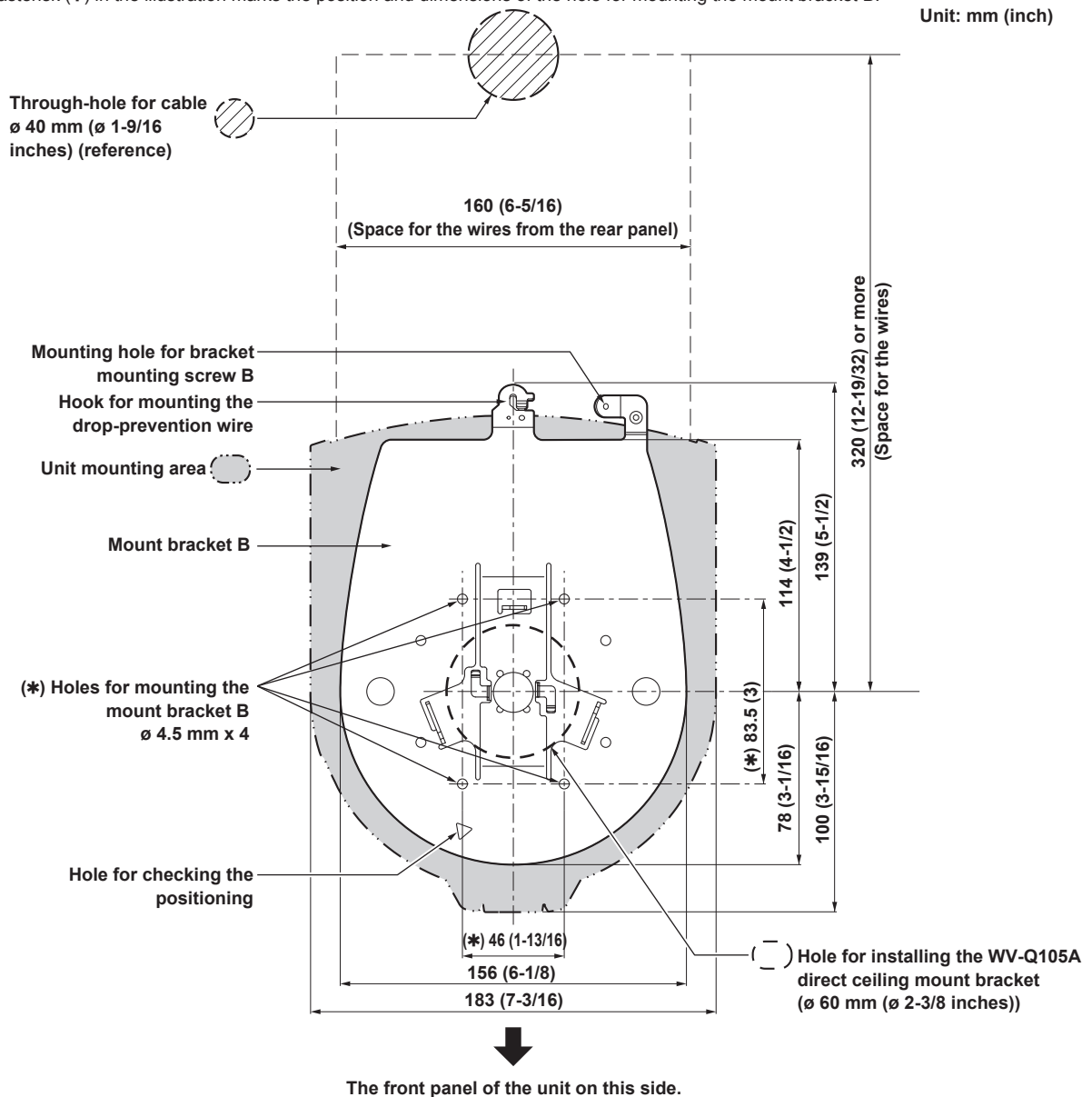
Be absolutely sure to read through the “Read this first!” (→ page 4) and “Installation precautions” (→pages 5 to 6).

Suspended installation

If the ceiling panel is not strong enough to bear the unit's weight, use the kind of mount bracket that is supported by anchor bolts between the concrete ceiling and ceiling panel. The unit supports the WV-Q105A direct ceiling mount bracket which is used solely for combination cameras. Use this bracket to install the unit. (→page 12)
 In a case like this, the holes (ø 60 mm (ø 2-3/8 inches)) for installing the direct ceiling mount bracket on the ceiling must be drilled in the ceiling panel.
 It is also recommended that you provide an inspection space or opening for access purposes in the area near where the equipment is installed in order to facilitate installation and the wiring connections work.
 For details on the accessories, refer to page 27.

1. Check the mounting space.

- Refer to the illustration, and determine where the unit is to be installed and in which direction it should be mounted. Factor in the unit mounting area and include space for the wires extending from its rear panel.
- The asterisk (*) in the illustration marks the position and dimensions of the hole for mounting the mount bracket B.



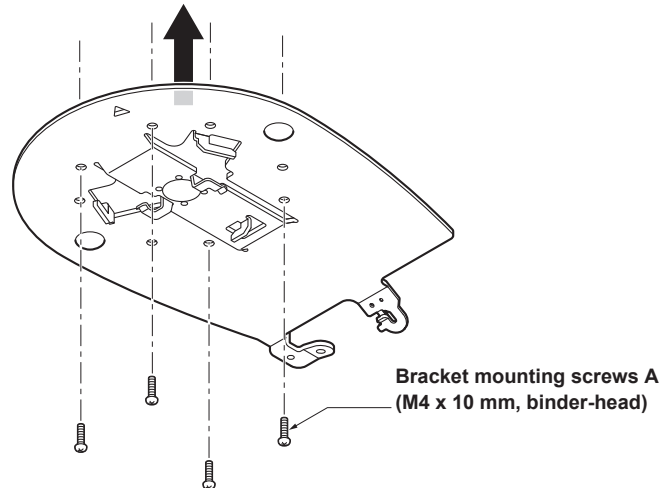
<NOTE>

- Before proceeding to install and connect the main unit, connect the LAN cable, HDMI cable and AC adaptor cable in the space above the ceiling panel, and then pass the cables through the cable hole.
- For a power outlet which is used on the ceiling, be absolutely sure to take measures to deal with the tracking that may be caused by the accumulation of dust and other foreign matter.

How to install and connect the unit (continued)

2. Attach mount bracket B onto the installation surface.

- Use supplied bracket mounting screws A (M4 x 10 mm, binder-head).

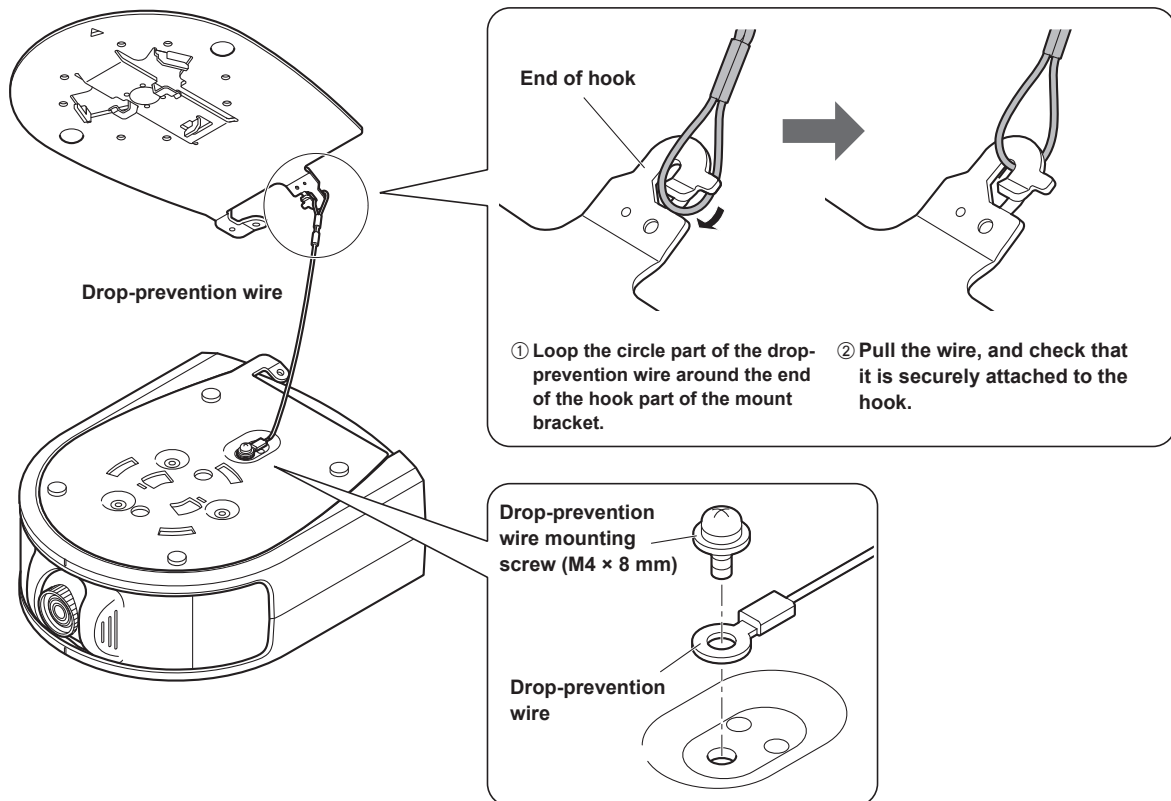


<NOTE>

- Use only the screws supplied with the unit. Do not use any other screws such as wood screws, nails, etc.

3. Attach the drop-prevention wire.

- Attach the supplied drop-prevention wire to the unit with the drop-prevention wire mounting screw (M4 x 8 mm).
- Loop the circle part of the wire around the hook of the mount bracket.
- Pull the drop-prevention wire, and check that it has been attached securely to the hook.



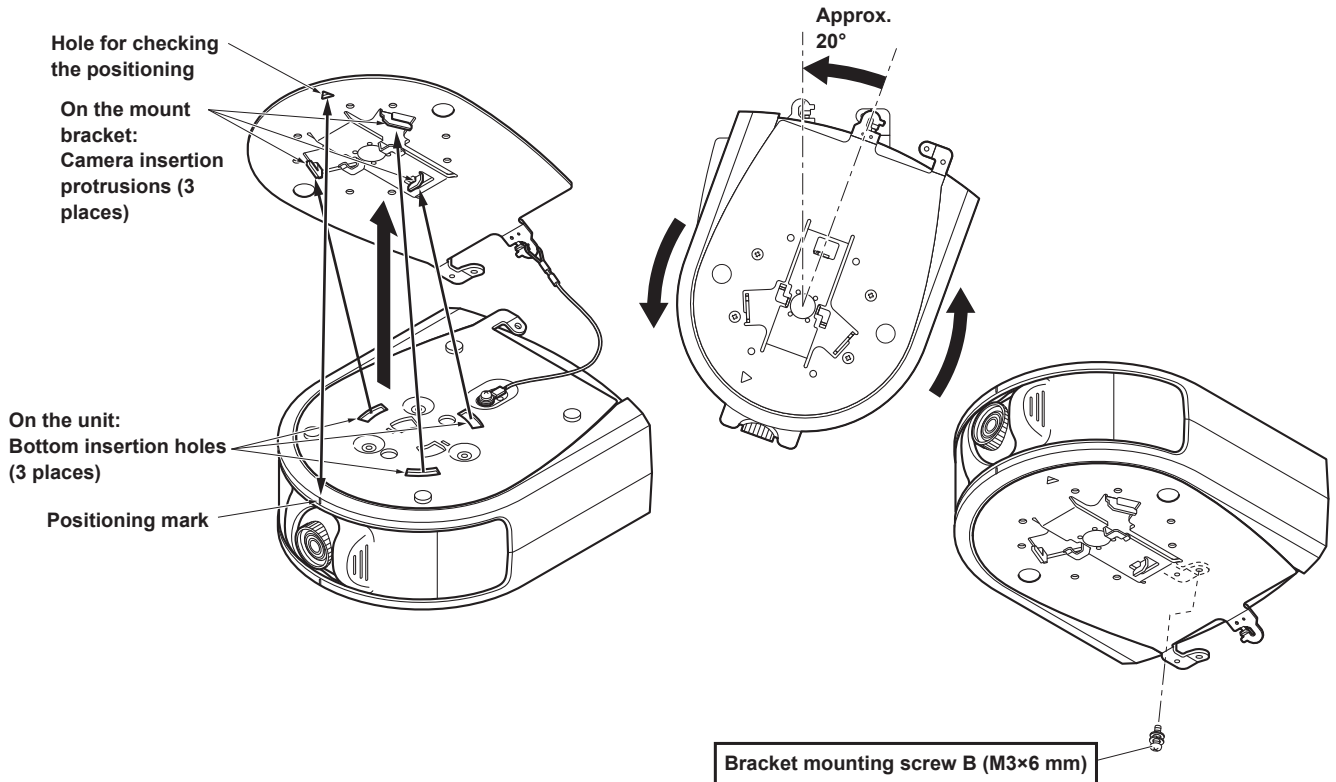
<NOTE>

- The drop-prevention wire was designed under the assumption that it will support the weight of the unit and HD integrated camera hanging. Do not apply any additional load to it.

How to install and connect the unit (continued)

4. Mount the unit.

- Align the hole for checking the positioning of mount bracket B with the positioning mark of the unit.
- Align the bottom insertion holes of the unit with the camera insertion protrusions of the mount bracket and then push the unit and bracket together firmly and rotate the unit by approx. 20° in the direction of the arrow.
- Secure the unit and mount bracket B with the supplied bracket mounting screw B (M3 x 6 mm).



<NOTE>

- Use only the screws supplied. Do not use any other screws.
- Check that the unit has been mounted securely with no tilting or wobbling.
- Be sure to secure the unit and bracket with the bracket mounting screw B before connecting any of the cables.

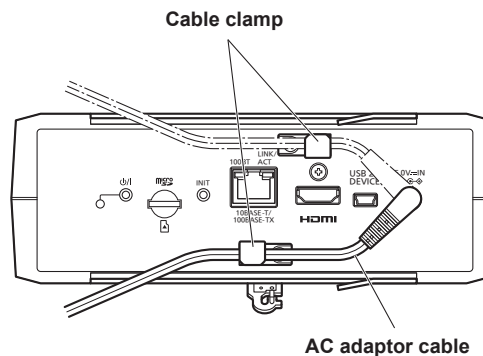
5. Check the mounting.

Check out the following points.

- The bracket mounting screw B must be attached properly.
- The unit must not tilt, and it must be mounted exactly.
- The unit must be securely installed.

6. Connect the rear panel connectors.

Anchor the AC adaptor cable in place using the cable clamps.



<NOTE>

- Two cable clamps are available: one at the top and one at the bottom of the connector panel. Use the most suitable method depending on the installation method and positioning of the cable.

How to install and connect the unit (continued)

When using the WV-Q105A (optional accessory)

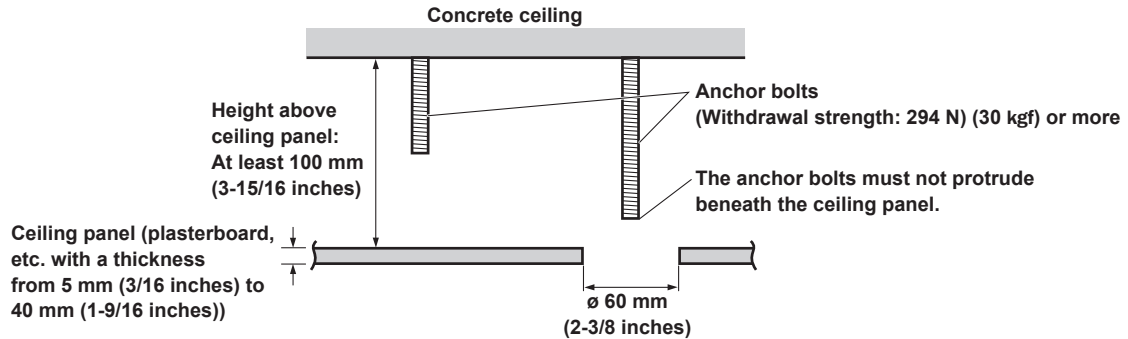
It is recommended that you provide an inspection opening or other such space for access purposes in the area near where the equipment is installed in order to facilitate installation and the wiring connections work.

Before installation, check that the installation location is strong enough to withstand the total mass when the unit and HD integrated camera are installed.

Use the mount bracket where the space between the ceiling panel and the concrete ceiling is at least 100 mm (3-15/16 inches) high.

The bracket can be mounted where the thickness of the ceiling panel ranges from 5 mm (3/16 inches) to 40 mm (1-9/16 inches).

The drop-prevention wire (supplied with the WV-Q105A) must be used when mounting the direct ceiling mount bracket.



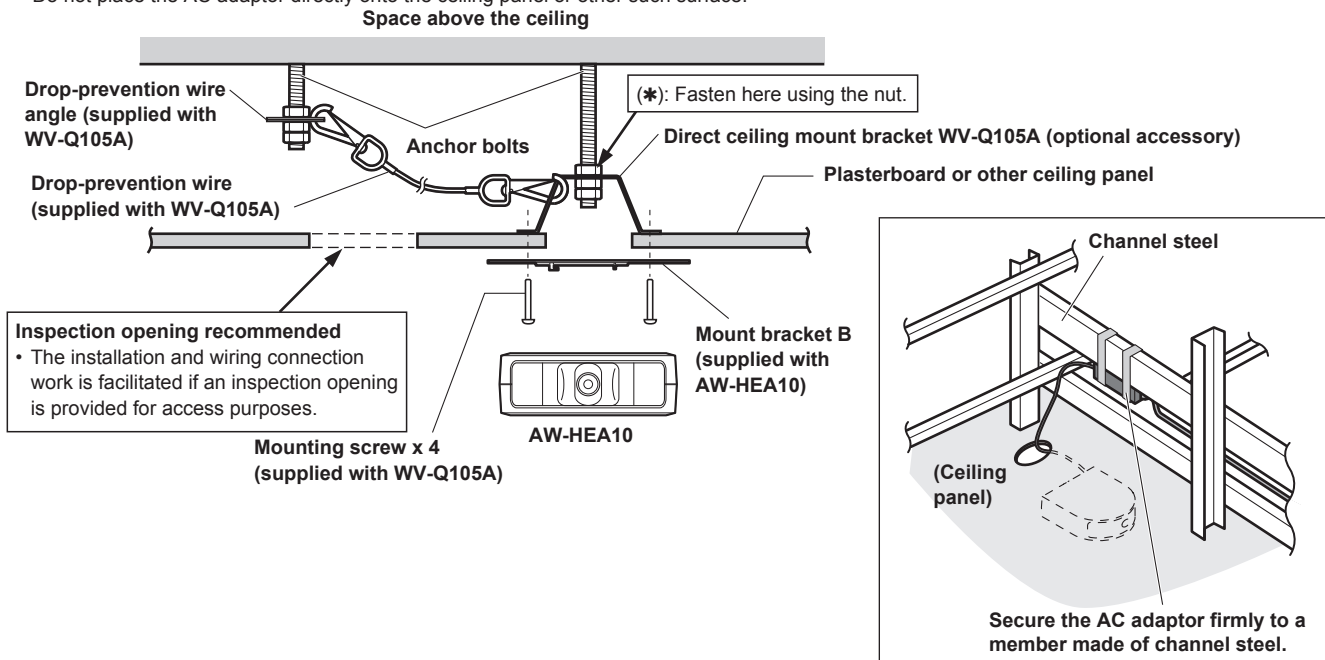
1. Refer to the Operating Instructions of the WV-Q105A direct ceiling mount bracket, and attach the WV-Q105A as well as the drop-prevention wire angle and drop-prevention wire supplied with the WV-Q105A to the anchor bolts.

Mounting the anchor bolts and direct ceiling mount bracket (*)

This job is facilitated if the direct ceiling mount bracket is loosely secured to the ceiling panel in one place, and the direct ceiling mount bracket and anchor bolts are vertically aligned before the nuts are tightened up.

2. First, remove the screw which was loosely fastened in step 1, and then align mount bracket B of the AW-HEA10 with the screw holes in the WV-Q105A direct ceiling mount bracket and mount it in place.

- Use the mounting screws (the M4-L60 Phillips head screws with adhesive) supplied with the WV-Q105A as the mounting screws.
- Fasten the AC adaptor securely to the bottom or other surface of the reinforcing member made of channel steel where dust and other foreign matter will not accumulate.
- Do not place the AC adaptor directly onto the ceiling panel or other such surface.



3. Install the AW-HEA10 camera by following the procedure starting with step 3 on page 10.

How to install and connect the unit (continued)

Standing installation

The procedure is the same as for suspended installation. For further details on installation and connection, refer to (→ pages 9 to 11).

<NOTE>

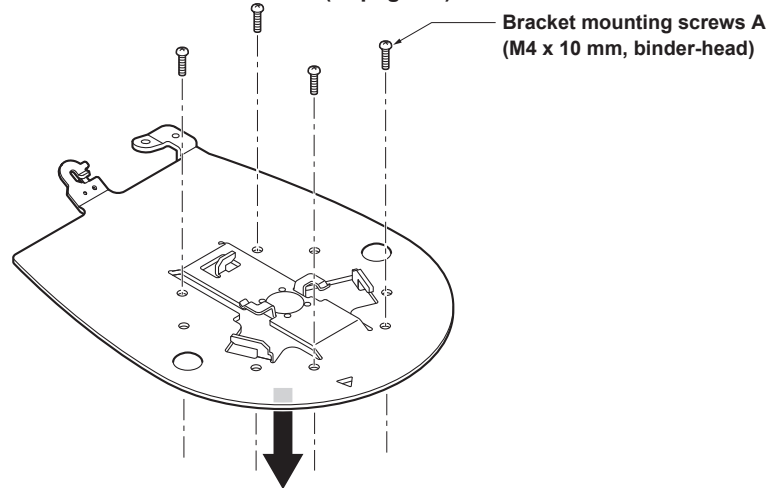
- For the standing installation, the bracket attachment procedure differs from that for the suspended installation. Attach the mount bracket in reference to page 8 before performing this work.

1. Check the mounting space. (→ page 9)

<NOTE>

- As with installing the unit suspended from an overhead surface, carefully check the space where the unit will be mounted, and then decide if it is appropriate to install the unit in that space.

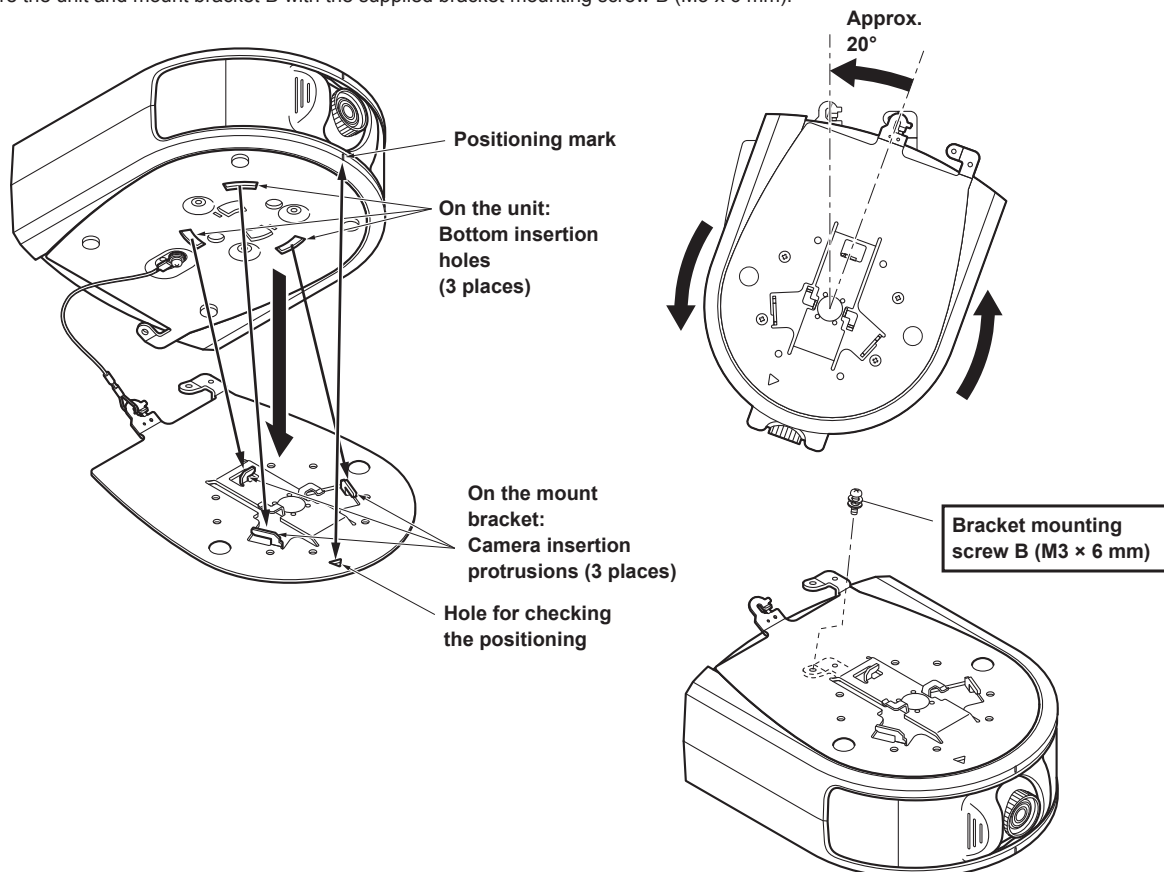
2. Attach mount bracket B onto the installation surface. (→ page 10)



3. Attach the drop-prevention wire. (→ page 10)

4. Mount the unit. (→ page 11)

- Align the hole for checking the positioning of mount bracket B with the positioning mark of the unit.
- Align the bottom insertion holes of the unit with the camera insertion protrusions of the bracket and then push the unit and bracket together firmly and rotate the unit by approx. 20° in the direction of the arrow.
- Secure the unit and mount bracket B with the supplied bracket mounting screw B (M3 x 6 mm).



5. Check the mounting. (→ page 11)

6. Connect the rear panel connectors. (→ page 11)

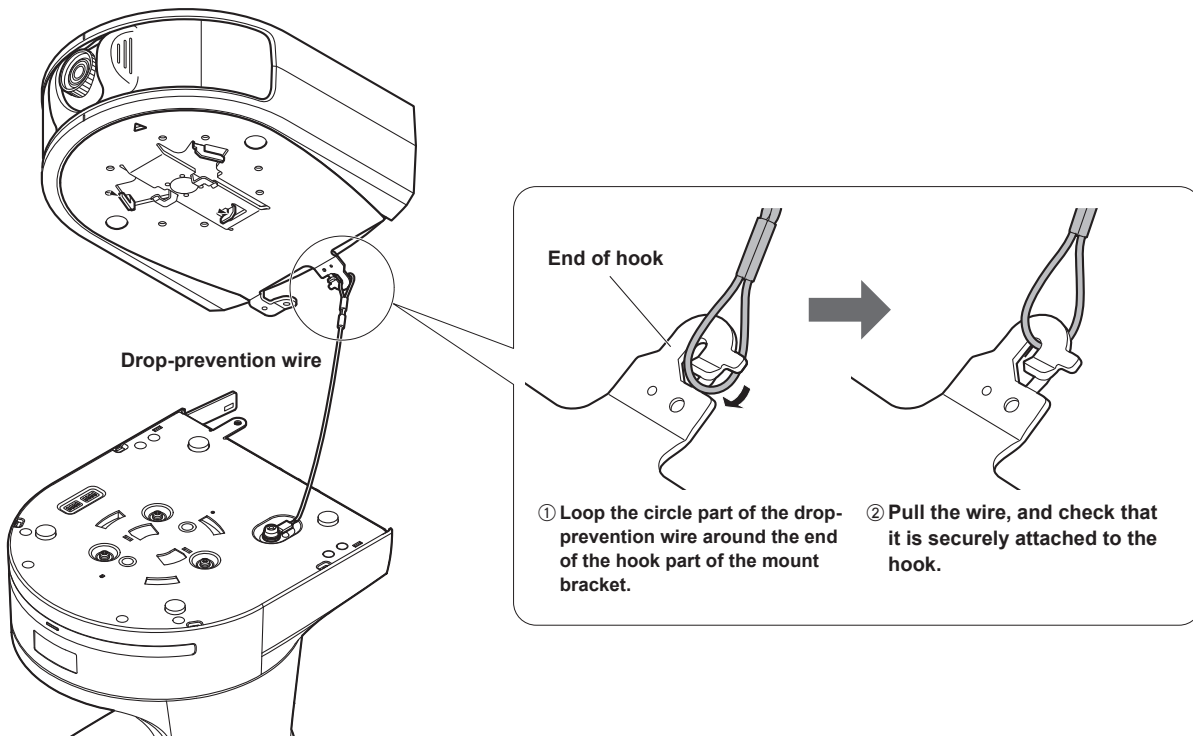
How to mount the HD integrated camera

Suspended installation

The illustrations are examples of mounting the AW-HE130 to the unit. The procedure for mounting the AW-HE40 is the same.

1. Attach the drop-prevention wire of the HD integrated camera to the mount bracket of the unit.

- Loop the circle part of the wire around the hook of the mount bracket.
- Pull the drop-prevention wire, and check that it has been attached securely to the hook.



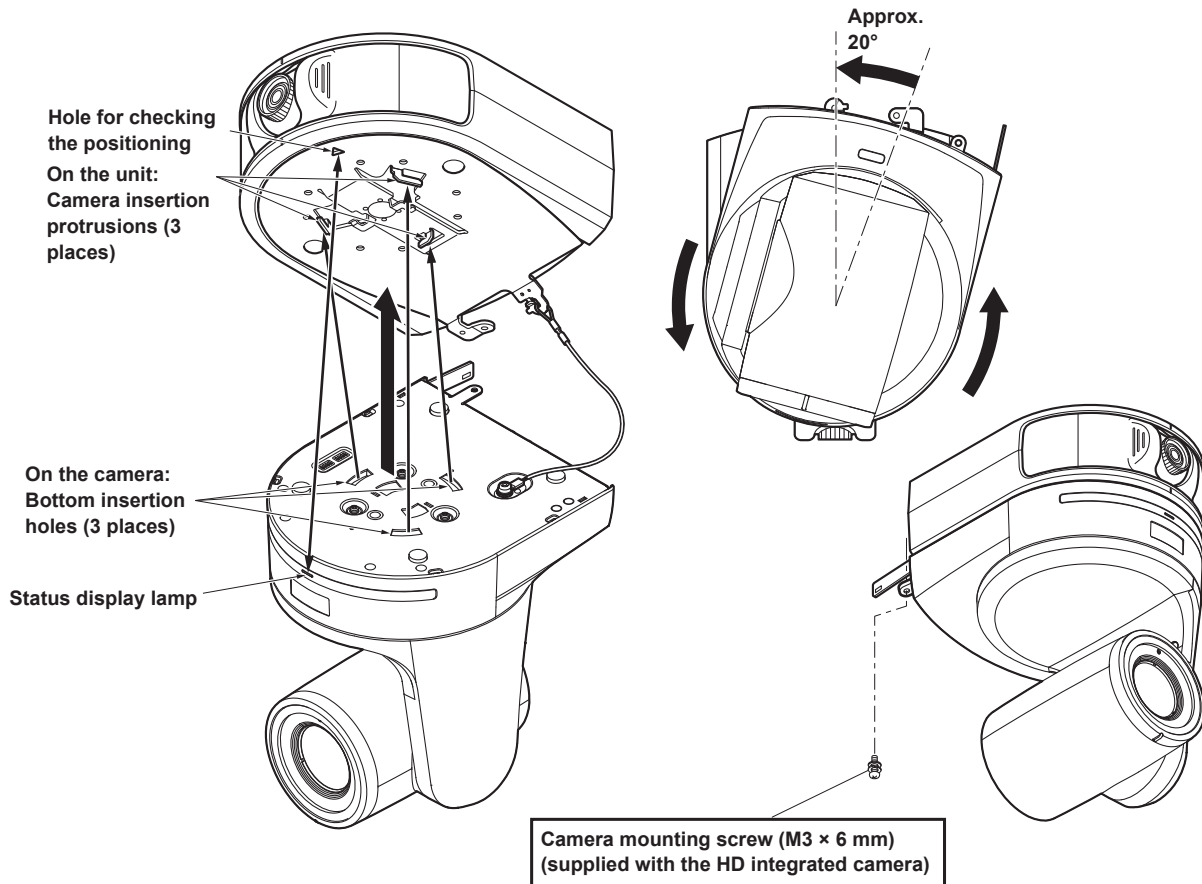
<NOTE>

- Do not do this work while holding the camera head since doing so may result in malfunctioning of the unit.
- The drop-prevention wire was designed under the assumption that it will support the weight of the HD integrated camera hanging. Do not apply any additional load to it.

How to mount the HD integrated camera (continued)

2. Mount the HD integrated camera.

- Align the status display lamp of the HD integrated camera and the hole for checking the positioning of the unit.
- Align the bottom insertion holes of the HD integrated camera with the camera insertion protrusions of the unit and then push the camera and unit together firmly and rotate the camera by approx. 20° in the direction of the arrow.
- Secure the HD integrated camera and unit together with the camera mounting screw supplied with the HD integrated camera.



<NOTE>

- Do not do this work while holding the camera head since doing so may result in malfunctioning of the unit.
- Use only the screws supplied. Do not use any other screws.
- Check that the unit has been mounted securely with no tilting or wobbling.
- Be sure to secure the HD integrated camera and unit together with the camera mounting screw supplied with the HD integrated camera before connecting any of the cables.

3. Check the mounting.

Check out the following points.

- The camera mounting screw supplied with the HD integrated camera must be attached properly.
- The unit must not tilt, and it must be mounted exactly.
- The unit must be securely installed.
- The pedestal part of the HD integrated camera must not rotate even when an attempt is made to turn it.

How to mount the HD integrated camera (continued)

Standing installation

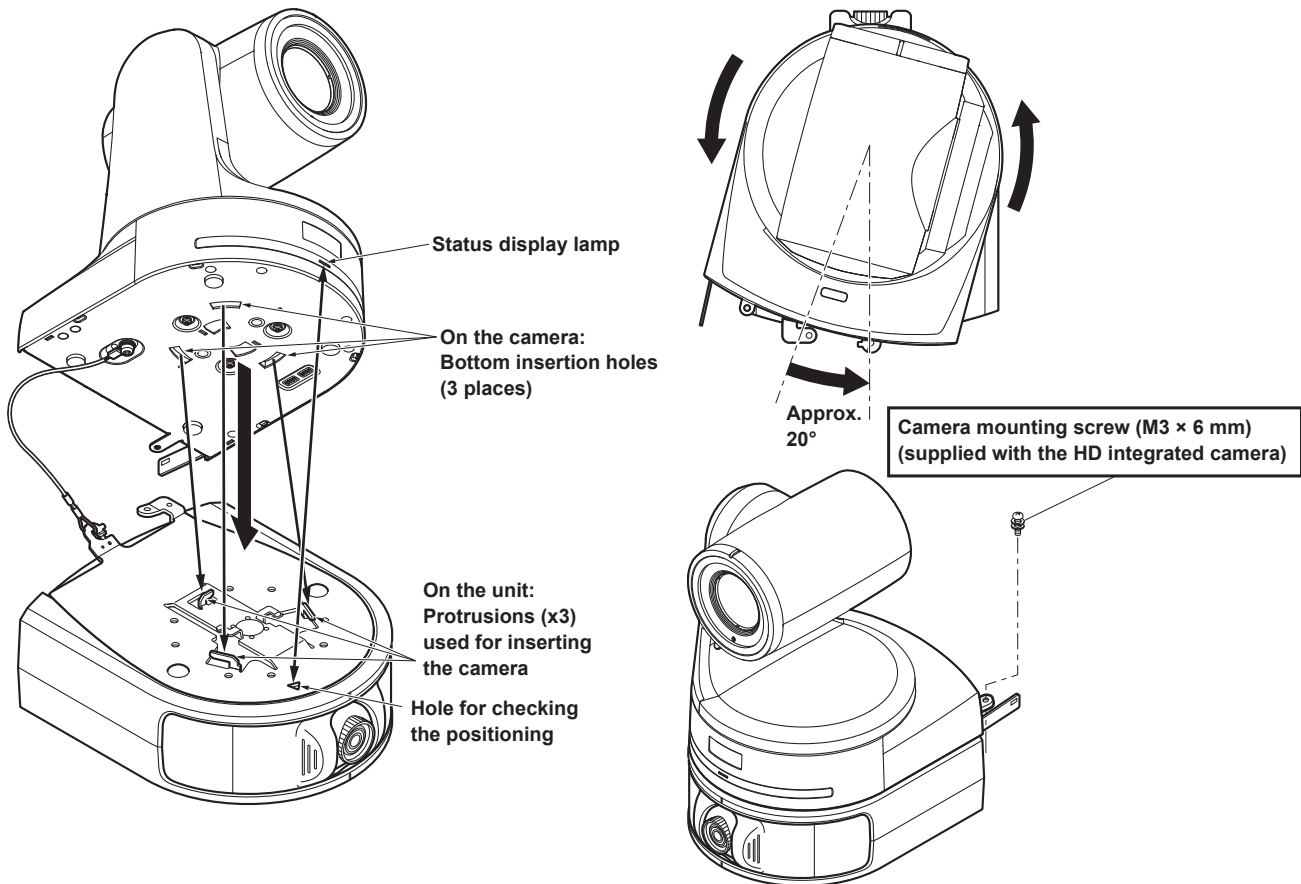
The procedure is the same as for suspended installation. For details on installation, refer to (→ pages 14 to 15).

The illustrations are examples of mounting the AW-HE130 to the unit. The procedure for mounting the AW-HE40 is the same.

1. Attach the drop-prevention wire of the HD integrated camera to the mount bracket of the unit. (→ page 14)

2. Mount the HD integrated camera. (→ page 15)

- Align the status display lamp of the HD integrated camera and the hole for checking the positioning of the unit.
- Align the bottom insertion holes of the HD integrated camera with the camera insertion protrusions of the unit and then push the camera and unit together firmly and rotate the camera by approx. 20° in the direction of the arrow.
- Secure the HD integrated camera and unit together with the camera mounting screw supplied with the HD integrated camera.



3. Check the mounting. (→ page 15)

How to remove the camera

How to remove the HD integrated camera

The illustrations are examples for when the AW-HE130 is installed suspended. The procedures for the AW-HE40 and when installed standing are the same.

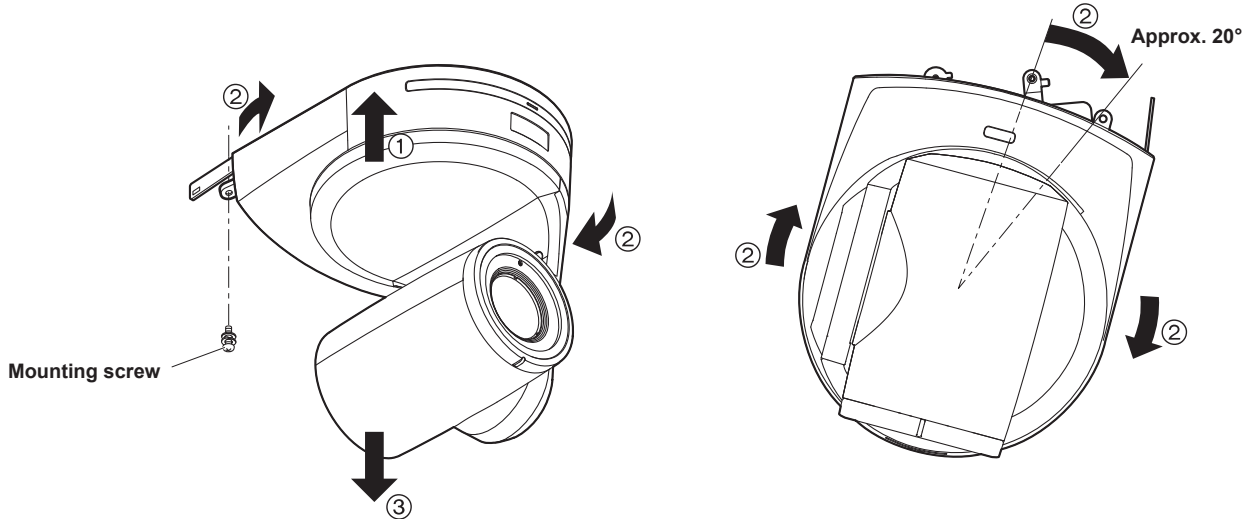
1. Turn off the circuit breaker and power.

2. Remove the cable cover and disconnect the cables.

- For how to remove the cover and disconnect the cables, refer to Operating Instructions or Installation Instructions for the HD integrated camera.

3. Remove the mounting screw securing the HD integrated camera and unit together.

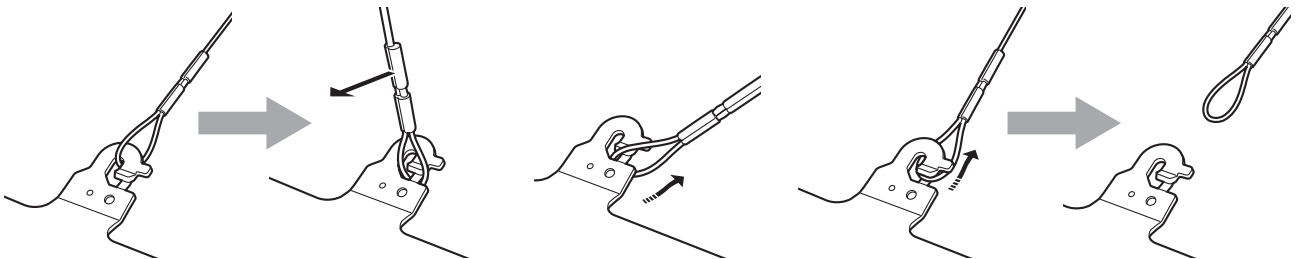
4. Push the HD integrated camera (①), rotate it approx. 20° (②) in the opposite direction as installation, and remove it (③).



<NOTE>

- Do not do this work while holding the camera head since doing so may result in malfunctioning of the unit.

5. Disengage the drop-prevention wire from the mount bracket.



① Pull the drop-prevention wire in the direction shown by the arrow above.

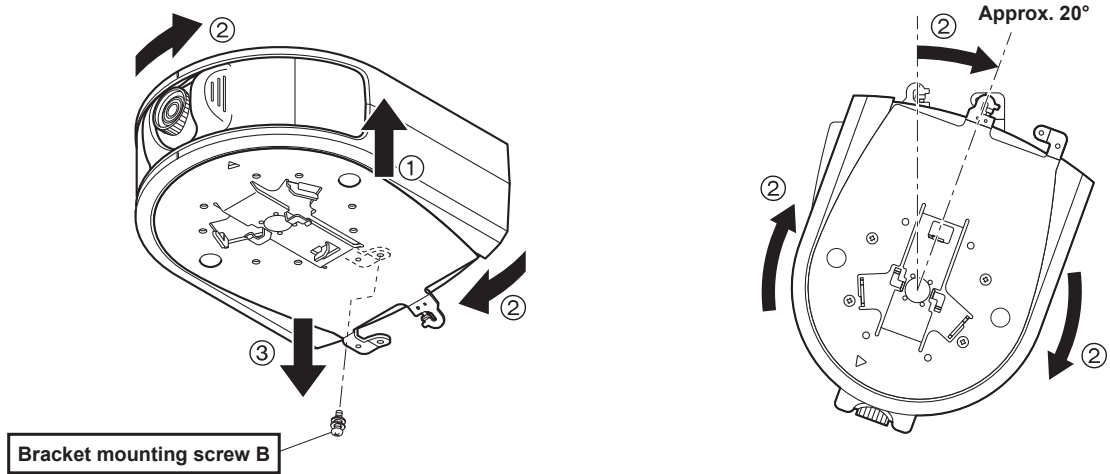
② Twist the wire, and remove the wire loop through the opening in the hook.

③ Pull the wire in the direction shown by the arrow above, and simply pull it out.

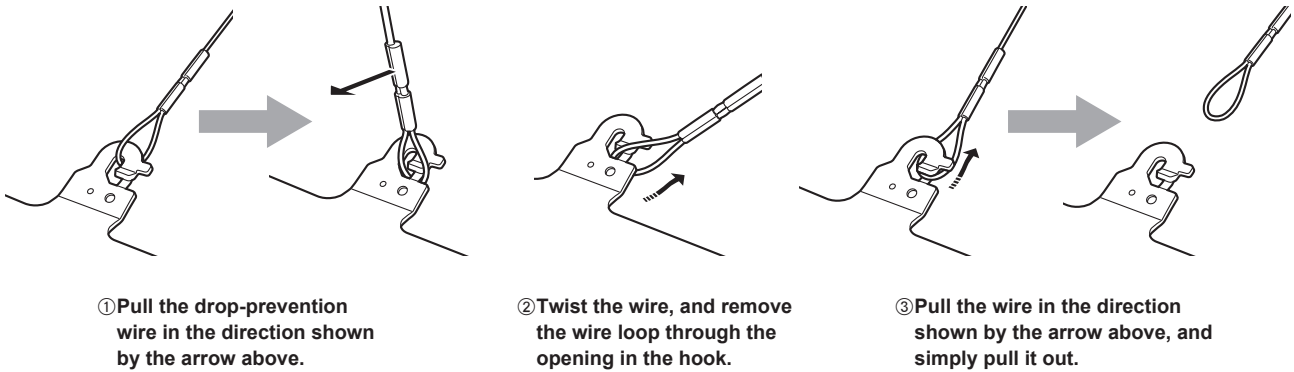
How to remove the camera (continued)

How to remove the control assist camera (this unit)

1. Turn off the circuit breaker and power.
2. Disconnect the cables.
3. Remove the bracket mounting screw B securing the unit and mount bracket A.
4. Push the unit (①), rotate it approx. 20° (②) in the opposite direction as installation, and remove it (③).



5. Disengage the drop-prevention wire from the mount bracket.

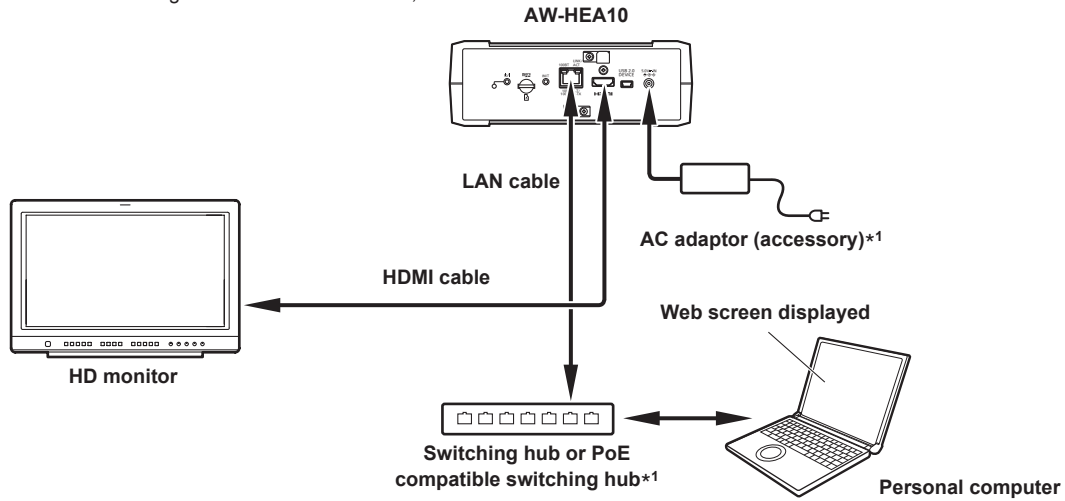


Connections

- Connect the supplied AC adaptors to the unit and HD integrated camera.
- The unit only supports IP video transmission from one connector.
- If the unit is controlled from multiple personal computers or controllers (AW-RP50) at the same time, it may not operate correctly.

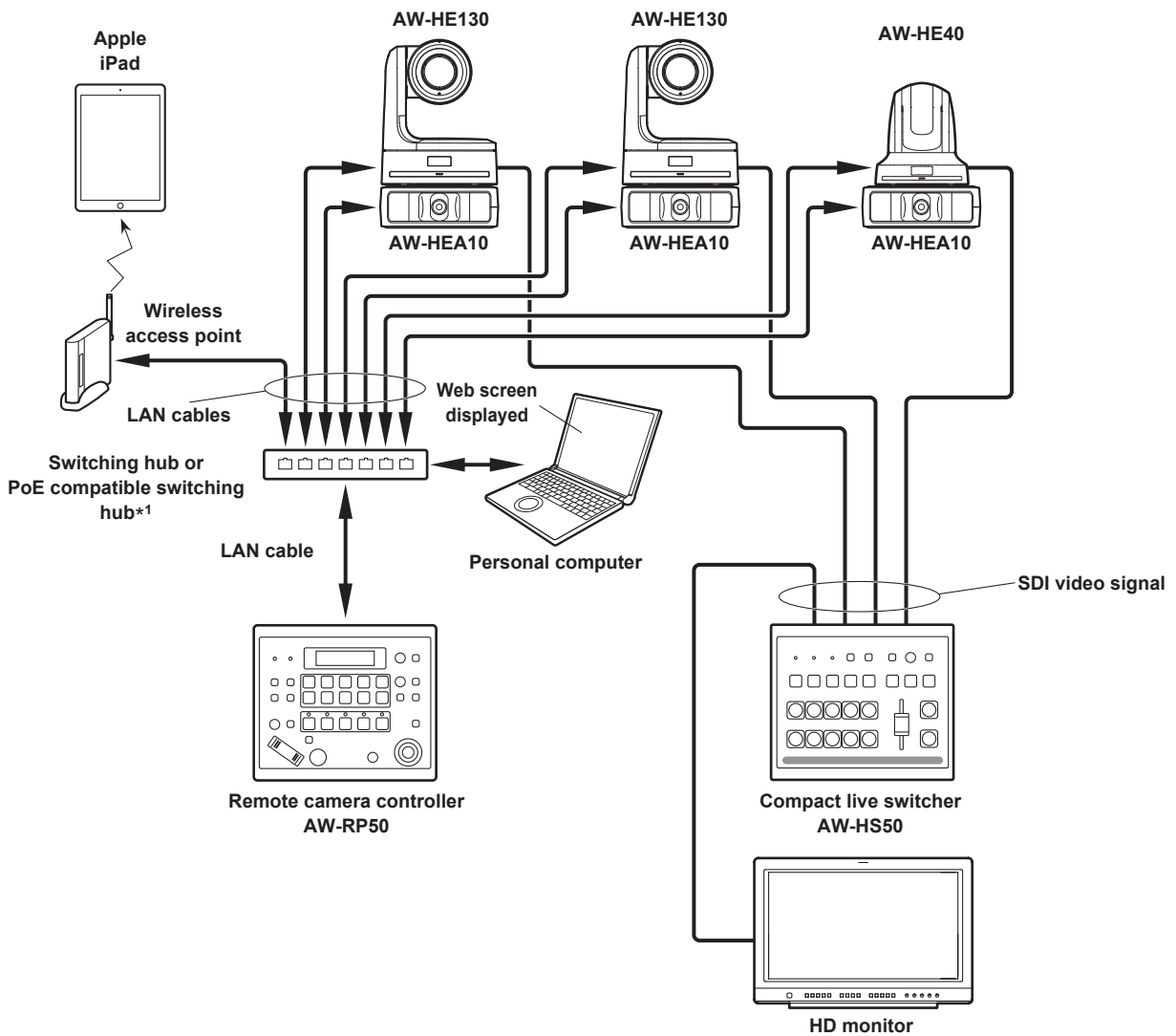
Connecting a monitor and personal computer

When you wish to check the images of the unit on a monitor, connect the monitor with an HDMI cable.



System connection example

The following is a typical system connection example when using the PTZ Cntrl*2 app for iPad.

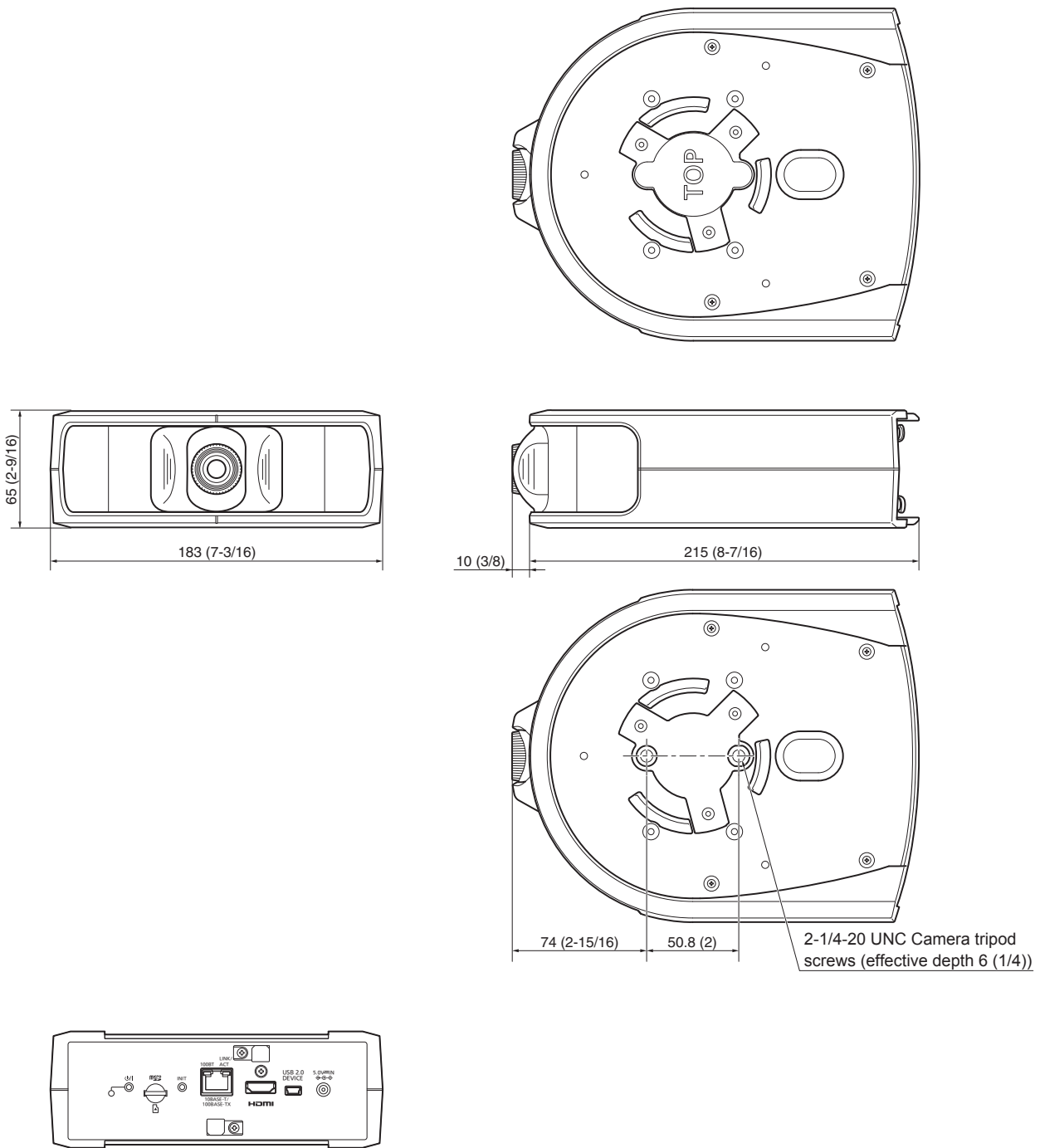




*1 The AC adaptor of the unit is not required when using a PoE compatible switching hub. Furthermore, when also using AW-HE130 or AW-HE40 with PoE, use a PoE+ compatible switching hub.


*2 The PTZ Cntrl app for iPad is provided by Panasonic Corporation. Download the app from App StoreSM of Apple Inc.


Appearance

Unit: mm (inch)



	CAUTION RISK OF ELECTRIC SHOCK DO NOT OPEN	
<p>CAUTION: TO REDUCE THE RISK OF ELECTRIC SHOCK, DO NOT REMOVE COVER (OR BACK). NO USER SERVICEABLE PARTS INSIDE. REFER TO SERVICING TO QUALIFIED SERVICE PERSONNEL.</p>		

 The lightning flash with arrowhead symbol, within an equilateral triangle, is intended to alert the user to the presence of uninsulated “dangerous voltage” within the product’s enclosure that may be of sufficient magnitude to constitute a risk of electric shock to persons.

 The exclamation point within an equilateral triangle is intended to alert the user to the presence of important operating and maintenance (servicing) instructions in the literature accompanying the appliance.

WARNING:

- To reduce the risk of fire or electric shock, do not expose this equipment to rain or moisture.
- To reduce the risk of fire or electric shock, keep this equipment away from all liquids. Use and store only in locations which are not exposed to the risk of dripping or splashing liquids, and do not place any liquid containers on top of the equipment.

WARNING:

Always keep the bracket mounting screws A/B and drop-prevention wire mounting screw out of the reach of infants and small children.

CAUTION:

This apparatus can be operated at a voltage in the range of 100 – 240 V AC.
Voltages other than 120 V are not intended for U.S.A. and Canada.
Operation at a voltage other than 120 V AC may require the use of a different AC plug. Please contact either a local or foreign Panasonic authorized service center for assistance in selecting an alternate AC plug.

CAUTION:

The mains plug of the power supply cord shall remain readily operable.
The AC receptacle (mains socket outlet) shall be installed near the equipment and shall be easily accessible. To completely disconnect this equipment from the AC mains, disconnect the power cord plug from the AC receptacle.

CAUTION:

In order to maintain adequate ventilation, do not install or place this unit in a bookcase, built-in cabinet or any other confined space. To prevent risk of electric shock or fire hazard due to overheating, ensure that curtains and any other materials do not obstruct the ventilation.

CAUTION:

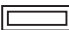
To reduce the risk of fire or electric shock and annoying interference, use the recommended accessories only.

CAUTION:

Check the installation at least once a year.
An improper installation could cause the unit to fall off resulting in personal injury.

CAUTION:

Do not pick up and move the unit while the tripod is attached. The fitting may break under the weight of the tripod, which may result in injury.

 indicates safety information.

FCC NOTICE (USA)

This device complies with part 15 of the FCC Rules.

Operation is subject to the following two conditions:

(1) This device may not cause harmful interference, and (2) this device must accept any interference received, including interference that may cause undesired operation.

CAUTION:

This equipment has been tested and found to comply with the limits for a class A digital device, pursuant to Part 15 of the FCC Rules.

These limits are designed to provide reasonable protection against harmful interference when the equipment is operated in a commercial environment. This equipment generates, uses, and can radiate radio frequency energy and, if not installed and used in accordance with the instruction manual, may cause harmful interference to radio communications.

Operation of this equipment in a residential area is likely to cause harmful interference in which case the user will be required to correct the interference at his own expense.

FCC Warning:

To assure continued FCC emission limit compliance, follow the attached installation instructions and the user must use only shielded interface cables when connecting to host computer or peripheral devices. Also, any unauthorized changes or modifications to this equipment could void the user's authority to operate this device.

NOTIFICATION (Canada)

CAN ICES-3 (A)/NMB-3(A)

 indicates safety information.

IMPORTANT SAFETY INSTRUCTIONS

- 1) Read these instructions.
- 2) Keep these instructions.
- 3) Heed all warnings.
- 4) Follow all instructions.
- 5) Do not use this apparatus near water.
- 6) Clean only with dry cloth.
- 7) Do not block any ventilation openings. Install in accordance with the manufacturer's instructions.
- 8) Do not install near any heat sources such as radiators, heat registers, stoves, or other apparatus (including amplifiers) that produce heat.
- 9) Do not defeat the safety purpose of the polarized or grounding-type plug. A polarized plug has two blades with one wider than the other. A grounding-type plug has two blades and a third grounding prong. The wide blade or the third prong are provided for your safety. If the provided plug does not fit into your outlet, consult an electrician for replacement of the obsolete outlet.
- 10) Protect the power cord from being walked on or pinched particularly at plugs, convenience receptacles, and the point where they exit from the apparatus.
- 11) Only use attachments/accessories specified by the manufacturer.
- 12) Use only with the cart, stand, tripod, bracket, or table specified by the manufacturer, or sold with the apparatus. When a cart is used, use caution when moving the cart/apparatus combination to avoid injury from tip-over.
- 13) Unplug this apparatus during lightning storms or when unused for long periods of time.
- 14) Refer all servicing to qualified service personnel. Servicing is required when the apparatus has been damaged in any way, such as power-supply cord or plug is damaged, liquid has been spilled or objects have fallen into the apparatus, the apparatus has been exposed to rain or moisture, does not operate normally, or has been dropped.



S3125A

Read this first! (For AW-HEA10WEJ, AW-HEA10KEJ)

WARNING:

- To reduce the risk of fire or electric shock, do not expose this equipment to rain or moisture.
- To reduce the risk of fire or electric shock, keep this equipment away from all liquids. Use and store only in locations which are not exposed to the risk of dripping or splashing liquids, and do not place any liquid containers on top of the equipment.

WARNING:

Always keep the bracket mounting screws A/B and drop-prevention wire mounting screw out of the reach of infants and small children.

CAUTION:

Do not remove panel covers by unscrewing.
To reduce the risk of electric shock, do not remove the covers.
No user serviceable parts inside.
Refer servicing to qualified service personnel.

CAUTION:

The mains plug of the power supply cord shall remain readily operable.
The AC receptacle (mains socket outlet) shall be installed near the equipment and shall be easily accessible. To completely disconnect this equipment from the AC mains, disconnect the power cord plug from the AC receptacle.

CAUTION:

In order to maintain adequate ventilation, do not install or place this unit in a bookcase, built-in cabinet or any other confined space. To prevent risk of electric shock or fire hazard due to overheating, ensure that curtains and any other materials do not obstruct the ventilation.

CAUTION:

To reduce the risk of fire or electric shock and annoying interference, use the recommended accessories only.

CAUTION:

Check the installation at least once a year.
An improper installation could cause the unit to fall off resulting in personal injury.

CAUTION:

Do not pick up and move the unit while the tripod is attached.
The fitting may break under the weight of the tripod, which may result in injury.

Caution for AC Mains Lead

FOR YOUR SAFETY PLEASE READ THE FOLLOWING TEXT CAREFULLY.

This product is equipped with 2 types of AC mains cable. One is for continental Europe, etc. and the other one is only for U.K.

Appropriate mains cable must be used in each local area, since the other type of mains cable is not suitable.

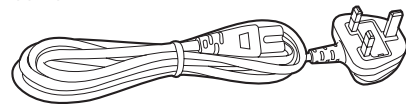
FOR CONTINENTAL EUROPE, ETC.

Not to be used in the U.K.



FOR U.K. ONLY

If the plug supplied is not suitable for your socket outlet, it should be cut off and appropriate one fitted.





FOR U.K. ONLY

This appliance is supplied with a moulded three pin mains plug for your safety and convenience.

A 5 amp fuse is fitted in this plug.

Should the fuse need to be replaced please ensure that the replacement fuse has a rating of 5 amps and that it is approved by ASTA or BSI to BS1362.

Check for the ASTA mark  or the BSI mark  on the body of the fuse.

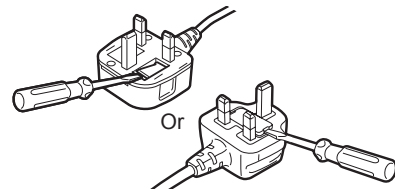
If the plug contains a removable fuse cover you must ensure that it is refitted when the fuse is replaced.

If you lose the fuse cover the plug must not be used until a replacement cover is obtained.

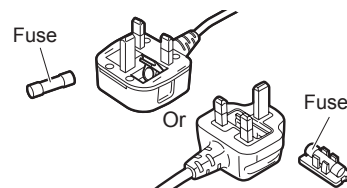
A replacement fuse cover can be purchased from your local Panasonic Dealer.

How to replace the fuse

1. Open the fuse compartment with a screwdriver.



2. Replace the fuse.



 indicates safety information.

EMC NOTICE FOR THE PURCHASER/USER OF THE APPARATUS

1. Applicable standards and operating environment

The apparatus is compliant with:

- standards EN55103-1 and EN55103-2, and
- electromagnetic environments E4.

In a residential, commercial, light industrial and urban outdoors environment, this product may cause radio interference.

2. Pre-requisite conditions to achieving compliance with the above standards

<1> Peripheral equipment to be connected to the apparatus and special connecting cables

- The purchaser/user is urged to use only equipment which has been recommended by us as peripheral equipment to be connected to the apparatus.
- The purchaser/user is urged to use only the connecting cables described below.

<2> For the connecting cables, use shielded cables which suit the intended purpose of the apparatus.

- Video signal connecting cables
Use double shielded coaxial cables, which are designed for 75-ohm type high-frequency applications, for SDI (Serial Digital Interface). Coaxial cables, which are designed for 75-ohm type high-frequency applications, are recommended for analog video signals.
- Audio signal connecting cables
If your apparatus supports AES/EBU serial digital audio signals, use cables designed for AES/EBU.
Use shielded cables, which provide quality performance for high-frequency transmission applications, for analog audio signals.
- Other connecting cables (IEEE1394, USB)
Use double shielded cables, which provide quality performance for high-frequency applications, as connecting cables.
- When connecting to the DVI signal terminal, use a cable with a ferrite core.
- If your apparatus is supplied with ferrite core(s), they must be attached on cable(s) following instructions in this manual.

3. Performance level

The performance level of the apparatus is equivalent to or better than the performance level required by these standards. However, the apparatus may be adversely affected by interference if it is being used in an EMC environment, such as an area where strong electromagnetic fields are generated (by the presence of signal transmission towers, cellular phones, etc.). In order to minimize the adverse effects of the interference on the apparatus in cases like this, it is recommended that the following steps be taken with the apparatus being affected and with its operating environment:

- Place the apparatus at a distance from the source of the interference.
- Change the direction of the apparatus.
- Change the connection method used for the apparatus.
- Connect the apparatus to another power outlet where the power is not shared by any other appliances.

Декларація про Відповідність

Вимогам Технічного Регламенту Обмеження Використання деяких небезпечних речовин в електричному та електронному обладнанні (затвердженого Постановою №1057 Кабінету Міністрів України)

Виріб відповідає вимогам Технічного Регламенту Обмеження Використання деяких небезпечних речовин в електричному та електронному обладнанні (ТР ОБНП).

Вміст небезпечних речовин у випадках, не обумовлених в Додатку №2 ТР ОБНП, :

- свинець (Pb) – не перевищує 0,1% ваги речовини або в концентрації до 1000 частин на мільйон;
- кадмій (Cd) – не перевищує 0,01% ваги речовини або в концентрації до 100 частин на мільйон;
- ртуть (Hg) – не перевищує 0,1% ваги речовини або в концентрації до 1000 частин на мільйон;
- шестивалентний хром (Cr6+) – не перевищує 0,1% ваги речовини або в концентрації до 1000 частин на мільйон;
- полібромбіфеноли (PBВ) – не перевищує 0,1% ваги речовини або в концентрації до 1000 частин на мільйон;
- полібромдефенілові ефіри (PBDE) – не перевищує 0,1% ваги речовини або в концентрації до 1000 частин на мільйон.

AEEE Yönetmeliğine Uygundur.
AEEE Complies with Directive of Turkey.

Manufactured by: Panasonic Corporation, Osaka, Japan
Importer's name and address of pursuant to EU rules:
Panasonic Marketing Europe GmbH
Panasonic Testing Centre
Winsbergring 15, 22525 Hamburg, Germany

Before use

Overview

- This unit is a HD camera that features a single focus, 95° ultra wide angle lens and an HD MOS sensor. By combining this unit with a Panasonic HD integrated camera and using the PTZ Cntrl app*¹ for iPad, you can control the angle of view of the HD cameras by touching the screen while viewing the entire image captured with this unit and a partial image captured with the HD integrated camera.
- Both ceiling-suspended installation and standing installation are available, depending on your operating environment. The camera angle is also adjustable within a range of 30° vertically and 45° horizontally.
- The unit is available in white (AW-HEA10WPJ/AW-HEA10WEJ) or black (AW-HEA10KPJ/AW-HEA10KEJ) to suit your intended application and environment.
- When the unit is connected to a personal computer via an IP network, it can be operated via a web browser. The unit can be used for monitoring as it can output 640x360/30p and 320x180/30p signals via the LAN output connector.
- The incorporation of an HDMI output connector allows you to use the video captured with this unit. Multiple formats are supported for output, including 1080/59.94p, 1080/50p, 1080/59.94i, 1080/50i, 720/59.94p, 720/50p, 480/59.94p, and 576/50p signals.
- The unit is equipped with PoE*². So connecting the unit to a network device that supports the PoE standard (IEEE802.3af compliant)*³ eliminates the need for camera power supply work.

*¹ The PTZ Cntrl app for iPad is provided by Panasonic Corporation. Download the app from App StoreSM.

*² Power over Ethernet. Referred to as "PoE" in this manual.

*³ For details on PoE devices for which operation has been verified, consult your local dealer or Panasonic representative.

Personal computer requirements

- **Failure to provide the required personal computer environment may slow down the delineation of the images on the screen, make it impossible for the web browser to work and cause other kinds of problems.**
- **Operation with all personal computers that satisfy the recommended system requirements is not guaranteed.**

CPU	Intel Core 2 DUO 2.4 GHz or faster or a CPU with equivalent specs (compatible CPU)
Memory	Windows® 7/Windows® 8: 1 GB or more for 32-bit and 2 GB or more for 64-bit Mac OS X: 2 GB or more
Network function	10BASE-T or 100BASE-TX port × 1
Display	Resolution: 1024 × 768 pixels or more Color generation: True Color 24-bit or better
Supported operating systems and Web browser	Windows® 8 (32-bit/64-bit) Internet Explorer® 10.0 Windows® 7 Professional SP1 (32-bit/64-bit) * ¹ Internet Explorer® 10.0 Internet Explorer® 9.0 Internet Explorer® 8.0 (32-bit)
	Mac OS X 10.8 Safari 6.0 Mac OS X 10.7 Safari 6.0 Mac OS X 10.6 Safari 5.1.7
Other	Mouse or pointing device equivalent to mouse

*¹ Windows® XP compatibility mode is not supported.

<NOTE>

- Depending on the software version of the unit, an update may be necessary.
- Use the desktop version of Internet Explorer. (Internet Explorer for Windows UI is not supported.)
- For the latest information on compatible operating systems and Web browsers, visit the support desk at the following website.
<http://pro-av.panasonic.net/>

Disclaimer of warranty

IN NO EVENT SHALL Panasonic Corporation BE LIABLE TO ANY PARTY OR ANY PERSON, EXCEPT FOR REPLACEMENT OR REASONABLE MAINTENANCE OF THE PRODUCT, FOR THE CASES, INCLUDING BUT NOT LIMITED TO BELOW:

- ① ANY DAMAGE AND LOSS, INCLUDING WITHOUT LIMITATION, DIRECT OR INDIRECT, SPECIAL, CONSEQUENTIAL OR EXEMPLARY, ARISING OUT OF OR RELATING TO THE PRODUCT;
- ② PERSONAL INJURY OR ANY DAMAGE CAUSED BY INAPPROPRIATE USE OR NEGLIGENT OPERATION OF THE USER;
- ③ UNAUTHORIZED DISASSEMBLE, REPAIR OR MODIFICATION OF THE PRODUCT BY THE USER;
- ④ INCONVENIENCE OR ANY LOSS ARISING WHEN IMAGES ARE NOT DISPLAYED, DUE TO ANY REASON OR CAUSE INCLUDING ANY FAILURE OR PROBLEM OF THE PRODUCT;
- ⑤ ANY PROBLEM, CONSEQUENTIAL INCONVENIENCE, OR LOSS OR DAMAGE, ARISING OUT OF THE SYSTEM COMBINED BY THE DEVICES OF THIRD PARTY;
- ⑥ ANY DEMANDS FOR COMPENSATION, CLAIMS, ETC. OCCASIONED BY THE INFRINGEMENT OF PRIVACY BY INDIVIDUALS OR ORGANIZATIONS WHOSE IMAGES WERE SHOT BY THE USER BECAUSE THESE IMAGES (INCLUDING THE RECORDINGS MADE) WERE MADE AVAILABLE TO THE PUBLIC FOR SOME REASON OR OTHER OR BECAUSE THE IMAGES ENDED UP BEING USED FOR UNINTENDED PURPOSES.
- ⑦ LOSS OF REGISTERED DATA CAUSED BY ANY FAILURE.

Network security

As the unit is intended to be used while connected to a network, the following security risks exist.

- ① Leakage or theft of information through the unit
- ② Unauthorized operation of the unit by persons with malicious intent
- ③ Interference with or stoppage of the unit by persons with malicious intent

It is your responsibility to take precautions, such as those described below, to protect yourself against the above network security risks.

- Use the unit in a network secured by a firewall, etc.
- If the unit is connected to a network that includes personal computers, make sure that the system is not infected by computer viruses or other malicious programs (using a regularly updated antivirus program, anti-spyware program, etc.).
- Protect your network against unauthorized access by restricting users to those who log in with an authorized user name and password.
- After accessing the unit as an administrator, be sure to close all web browsers.
- Change the administrator password periodically.
- Restrict access to the unit by authenticating the users, for example, to prevent setting information stored on the unit from leaking over the network.
- Do not install the unit in locations where the unit, cables, and other parts can be easily damaged or destroyed by persons with malicious intent.
- Avoid connections that use public lines.

<NOTE>

Notes on user authentication

- The unit uses a basic user authentication function. We recommend using a dedicated authentication device and using basic authentication.

Using host authentication on HD integrated cameras

- To connect via host authentication on cameras equipped with a host authentication function, refer to the operating instructions of the camera to be connected and configure the appropriate settings. Be sure to set the access level to "Administrator."

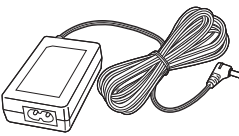
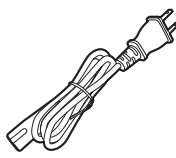
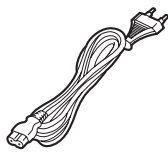

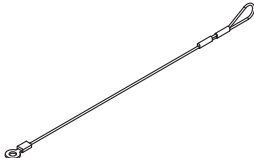

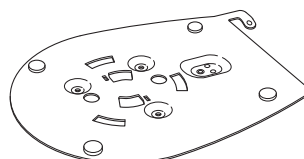
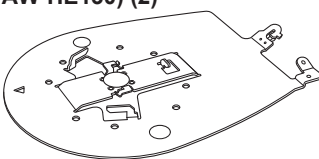
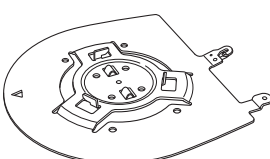
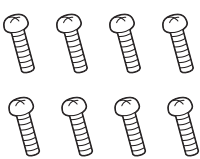

Usage restrictions

- We recommend connecting the unit, controller, and any computers to the same network segment.
Events based on settings inherent to the network devices, for example, may occur in connections that include different segments, so be sure to perform checks prior to operation.

Accessories

Check that the following accessories are present.

- After removing the product from its container, dispose of the power cable cap and packing materials in an appropriate manner.

<p>AC adaptor (1)</p> 	<p>Power cable</p> <ul style="list-style-type: none"> ● AW-HEA10WPJ/AW-HEA10KPJ (1) ● AW-HEA10WEJ/AW-HEA10KEJ (2 types) (For areas other than the U.K.) (For the U.K.)   		
<p>Drop-prevention wire (1)</p> 	<p>Drop-prevention wire mounting screw M4x8 mm (1)</p> 	<p>Mounting bracket A (for mounting this unit) (1)</p> 	<p>Mounting bracket B (for securing this unit, for AW-HE130) (2)</p> 
<p>Mounting bracket C (for AW-HE40) (1)</p> 	<p>Bracket mounting screws A M4x10 mm (8)</p> 	<p>Bracket mounting screws B M3x6 mm (4)</p> 	

Optional accessories

- HD Integrated Camera AW-HE130 / AW-HE40
- Remote camera controller AW-RP50
- Direct ceiling mounting bracket WV-Q105A

Operating precautions

■ Shoot under the proper lighting conditions.

To produce pictures with eye-pleasing colors, shoot under the proper lighting conditions.

The pictures may not appear with their proper colors when shooting under fluorescent lights. Select the proper lighting as required.

■ To ensure a stable performance in the long term

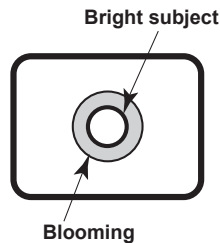
Using the unit for prolonged periods in locations where the temperature and humidity levels are high will cause its parts to deteriorate, resulting in a reduction of its service life.

(Recommended temperature: Max. 35°C [95°F])

Ensure that a cooling unit or heating unit will not blow any air directly toward the installation location.

■ Do not point the camera at strong lights.

When parts of the MOS sensor are exposed to spotlights or other strong lights, blooming (a phenomenon where the edges of strong lights become blurred) may occur.



■ What happens with high-brightness subjects

Flare may occur if an extremely bright light source is pointed at the lens. In a case like this, change the angle or take some other remedial action.

■ Operating temperature range

Avoid using the unit in cold locations where the temperature drops below 0°C (32°F) or hot locations where the temperature rises above 40°C (104°F) since these temperatures downgrade the picture quality and adversely affect the internal parts.

Furthermore, it may take a few minutes for images to stabilize when the unit is used at low temperatures. We recommend turning the unit on to let it warm up for a while before use.

■ Concerning PoE power supply

The unit complies with the IEEE802.3af standard. Use a compatible Ethernet hub and PoE injector to use a PoE power supply.

For details on Ethernet hubs and PoE injectors for which operations have been verified, consult your local dealer.

■ Turn off the unit before connecting or disconnecting the cables.

Be sure to turn off the equipment before connecting or disconnecting the cables.

■ Handle the unit carefully.

Do not drop the unit or subject it to strong impact or vibration. Failure to obey may cause the unit to malfunction.

■ When the unit is not in use

Turn off the unit when it will not be used.

When the unit is no longer going to be used, do not leave it lying around, but be absolutely sure to dispose of it properly.

■ Do not touch the optical system parts.

The optical system parts are vital to the operation of the camera.

Under no circumstances must they be touched. In the unlikely event that they have become dusty, remove the dust by using a camera blower or by wiping them gently with a lens cleaning paper.

■ Do not point the camera directly at the sun or a laser beam no matter whether it is turned on or not.

Taking images of the sun, laser beams, or other brightly lit subjects for prolonged periods of time may damage the MOS sensor.

■ Do not use for long periods of time.

Use for long periods of time may cause heat to build up inside, resulting in a failure.

■ Personal computer used

If the same image is displayed for a prolonged period on a PC monitor, the monitor may be damaged. Use of a screen saver is recommended.

■ Concerning the IP address setting

Do not use Easy IP Setup Software on multiple personal computers to set the IP address for one camera at the same time.

Doing so may result in no longer knowing what IP address is set.

■ Keep the unit away from water.

Avoid all direct contact with water. Failure to obey may cause the unit to malfunction.

■ Maintenance

Turn off the unit's power before proceeding with maintenance. Failure to obey may result in injuries.

Wipe the surfaces using a soft dry cloth. Avoid all contact with benzene, paint thinners and other volatile substances, and avoid using these substances. Otherwise, the casing may become discolored.

■ Use the unit in an environment with minimal moisture and dust.

Avoid using the unit in an environment with high concentration of moisture or dust since these conditions will damage the internal parts.

■ Disposal of the unit

When the unit has reached the end of its service life and is to be disposed of, ask a qualified contractor to dispose of the unit properly in order to protect the environment.

■ Information on software used with this product

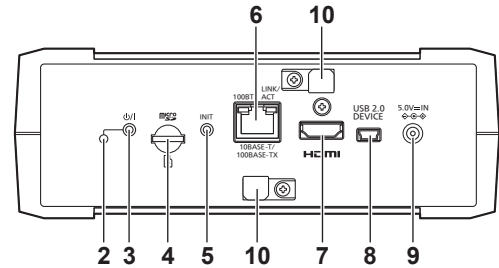
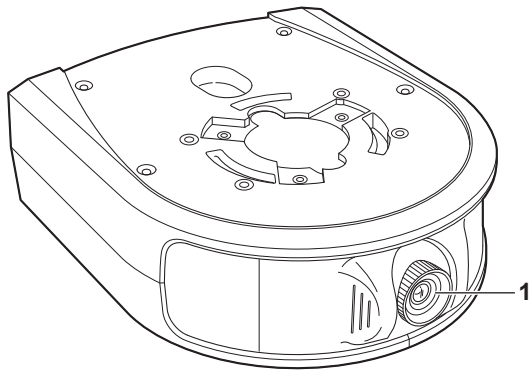
This product includes GNU General Public License (GPL) and GNU Lesser General Public License (LGPL) licensed software, and the customer is entitled to obtain, modify, or redistribute the source code for the software.

For details on obtaining the source codes, visit the following website.

<http://pro-av.panasonic.net/>

However, do not contact Panasonic for questions regarding obtained source codes.

Parts and their functions



1. Lens

This is adjustable 30° vertically and 45° horizontally.

2. Status display lamp

This is lit as follows depending on the status of the unit.

Lit orange: When in standby mode

Lit green: When the power is on

3. Power button []

Pressing this when the unit is in standby mode or off will turn on the unit.

Holding this down when the unit is in standby mode or on will turn off the unit.

4. microSD card slot

This is used when updating the software of the unit.

(Normally, it is not used.)

5. INIT button

Pressing this when the unit is on will initialize the user management settings and network settings.

Initialize the settings as described below.

- 1) Close the camera menu and Web setup screen.
- 2) Press the INIT button.
- 3) Turn the unit off and then back on with the power button.

6. LAN connector

Use a LAN cable that is category 5 or higher and up to 100 m (328 ft) long.

Be sure to use a shielded cable for this connector.

7. HDMI connector

This is the HDMI video output connector.

Be sure to use a double-shielded cable for this connector.

8. USB connector

This connector is for maintenance.

Do not connect a USB device.

9. DC input connector [DC IN]

Connect the AC adaptor supplied with the unit to this connector to supply 5 V DC to the unit.

10. Cable clamp

This is used to clamp the cable connected to the DC IN connector to prevent it from becoming disconnected.

Network settings

Using Easy IP Setup Software to configure the unit's settings

The network settings of the unit's network can be configured with Easy IP Setup Software. (Windows only)

- When configuring the settings for multiple units, you need to configure the settings for each camera.
- If the settings cannot be configured with Easy IP Setup Software or if you are using a Mac, configure the settings individually for the unit and personal computer on the Network screen of the Web setup menu. (→ PDF page 24)
- For details on the required personal computer environment, refer to page 25.
- If, after the network settings have been configured, another device in the same network has the same IP address, the network operations will not be performed properly.
Set the IP address in such a way that it does not duplicate an existing IP address.
- Do not configure the network settings from multiple Easy IP Setup Software programs at the same time for a single camera.
Similarly, do not perform the "Auto IP setting" operation of the AW-RP50 remote camera controller at the same time. Doing so may result in no longer knowing what IP address is set.

Installing the software

Install the Easy IP Setup Software on the computer to be connected. You can use the Easy IP Setup Software supplied with the Panasonic HD integrated camera (e.g., AW-HE130, AW-HE40) that you will use in conjunction with this unit or download it from the following website.

<http://pro-av.panasonic.net/>

● Easy IP Setup Software (EasyIPSetup.exe)

Configure the unit's network settings. For details, refer to the sections that follow.

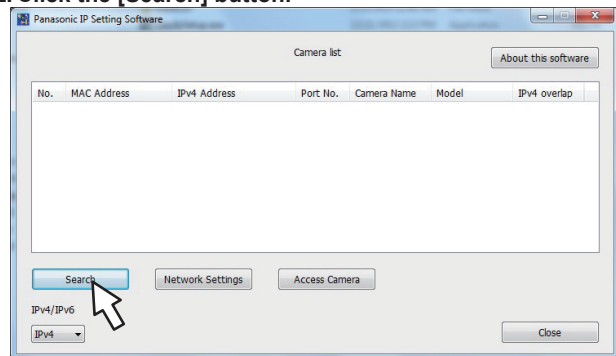
<NOTE>

- Easy IP Setup Software cannot be used from a different subnet via a router.

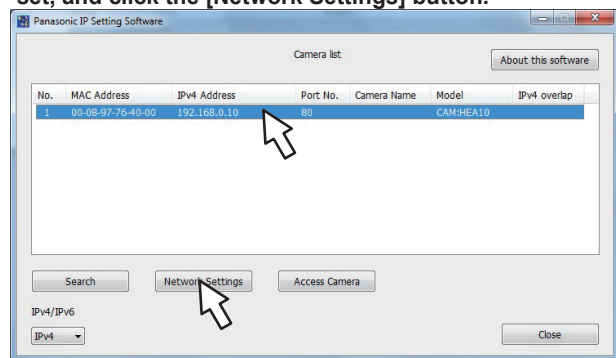
Configuring the network settings

1. Start Easy IP Setup Software.

2. Click the [Search] button.



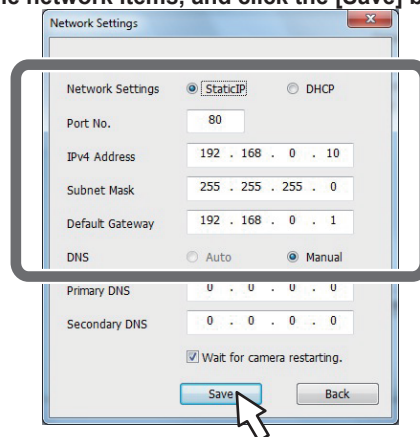
3. Click the MAC address/IPv4 address of the camera to be set, and click the [Network Settings] button.



<NOTE>

- When a DHCP server is being used, the IP address allocated to the unit can be checked by clicking the [Search] button of the Easy IP Setup Software.
- If the same IP address is used for any additional cameras, the numbers of the additional cameras will be displayed in the "IPv4 overlap" column of the cameras concerned.
- When the [Access Camera] button is clicked, the Live screen of the selected camera is displayed.

4. Enter the network items, and click the [Save] button.



<NOTE>

- When a DHCP server is being used, [DNS] of Easy IP Setup Software can be set to [Auto].
- After the [Save] button is clicked, it takes about 2 minutes for the settings in the unit to be completed. If the AC adaptor or LAN cable is disconnected before the settings are completed, the settings will be canceled. In this case, repeat the steps to configure the settings.
- When a firewall (including software) has been introduced, enable access to all the UDP ports.

Controlling the cameras with the PTZ Cntrl app

Installing PTZ Cntrl

The PTZ Cntrl app for iPad is provided by Panasonic Corporation. It facilitates panning and tilting of the HD integrated camera and smooth operation of the lens by displaying the video of the unit and the video of the HD integrated camera mounted to the unit and then touching the iPad screen.

■ PTZ Cntrl compatible devices and operating systems

The following iPads are supported.

Supported devices: iPad

Supported operating systems: iOS 8.1

<NOTE>

- Correct operation may not be possible depending on the iPad you use. For information on PTZ Cntrl, visit the following support site. <http://pro-av.panasonic.net/>

1. Connect the iPad to the network.

- The iPad needs to be connected to the Internet.

2. Tap [App Store].

3. Enter "Panasonic PTZ Cntrl" in the search field.

4. Tap [PTZ Cntrl] and install the software.

- An  icon is added to the iPad menu.

Connecting with the iPad

Configure the network settings of the unit and the HD integrated camera mounted to the unit*1, and then set the IP address for each of them. For the IP address settings, refer to "Network settings" (→ page 30).

*1 Connection cannot be performed when the HD integrated camera is in standby mode. Make sure the power is on.

1. Start [PTZ Cntrl].

2. Tap from the [PTZ Cntrl] screen to open the setting screen.


3. Tap [Camera Setting].

- The [Camera Group] screen opens.

4. Tap [Add Group] and then tap [Add Camera] of the [Camera Group] items.

5. Tap the model name of the connected HD integrated camera, and configure the IP addresses for [PTZ Camera] and [Sub Camera] (this unit).

6. Tap [Close] to return to the setting screen.

- Tap the  (camera selection) button, and select the [Camera Group] and [Camera]. Be sure to click [Connect] after selection. The video from the HD integrated camera is displayed in the upper area, and the video from the unit is displayed in the lower area.

<NOTE>

- If the video does not appear, connection and communication with the camera has not been established. Check the LAN cables, Wi-Fi settings, IP address settings, etc.

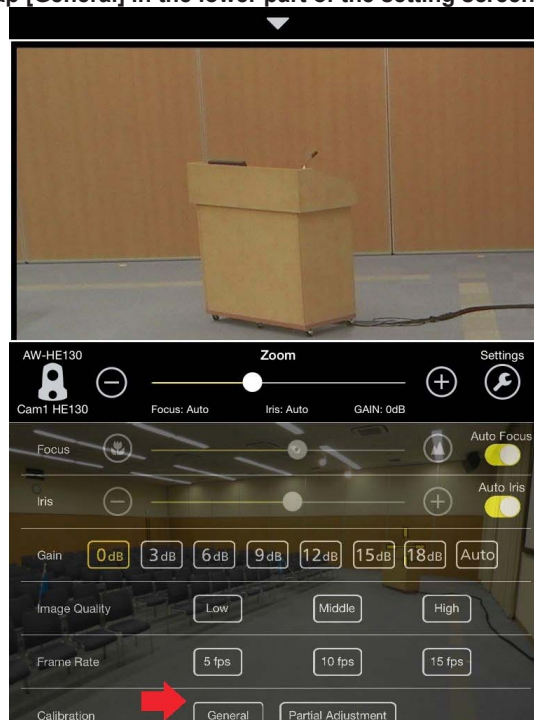
For the detailed setting procedure, refer to the Help screen of PTZ Cntrl.

Configuring the initial settings of PTZ Cntrl

The shooting angle of view of the unit and the operation position of the HD integrated camera need to be adjusted. The difference between the positional relationship in the video of the unit and the pan and tilt operation position of the HD integrated camera is minimized by performing this correction operation.

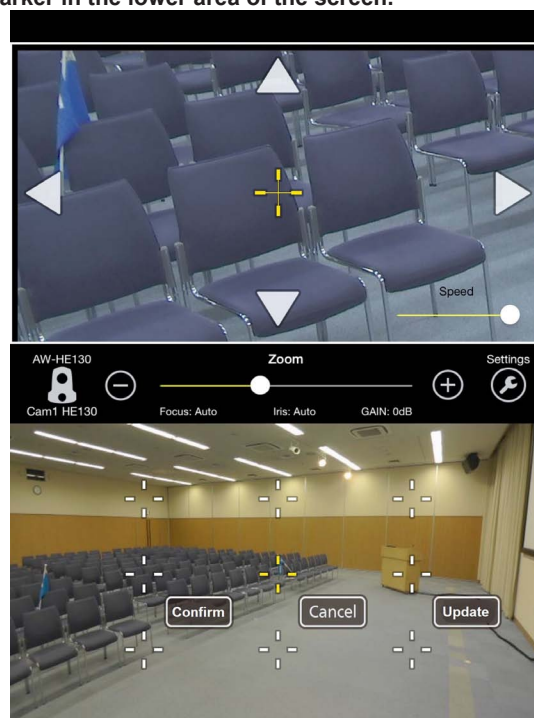
1. Tap from the [PTZ Cntrl] screen to open the settings.

2. Tap [General] in the lower part of the setting screen.



- The screen switches to calibration mode.

3. Tap the upper area of the screen or use the keys to match [+] marker image position of the upper area of the screen to the area displayed at the center [+] marker in the lower area of the screen.



Controlling the cameras with the PTZ Cntrl app (continued)

4. Tap [Confirm] to apply the calibration.

- The marker turns blue.
- To perform further calibration, tap the surrounding [+] markers and set the positions.
For details on detailed calibration control settings, refer to the Help screen of PTZ Cntrl.

5. When you are finished calibrating, tap [Update] to exit calibration mode.

Controlling the cameras with PTZ Cntrl

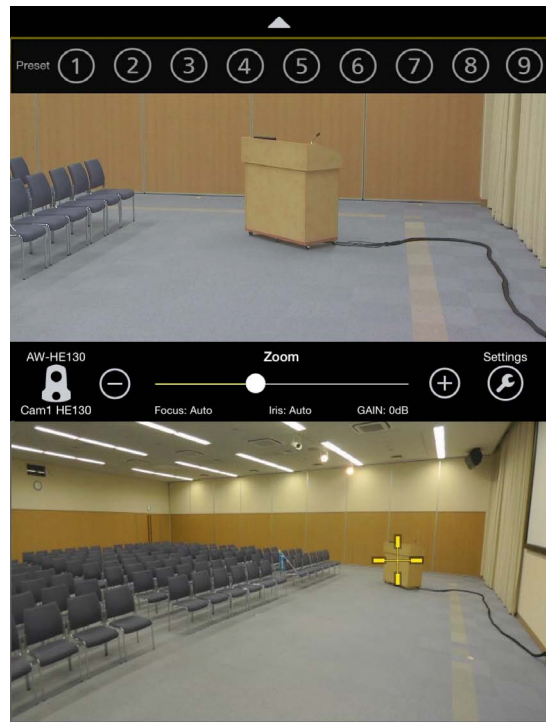
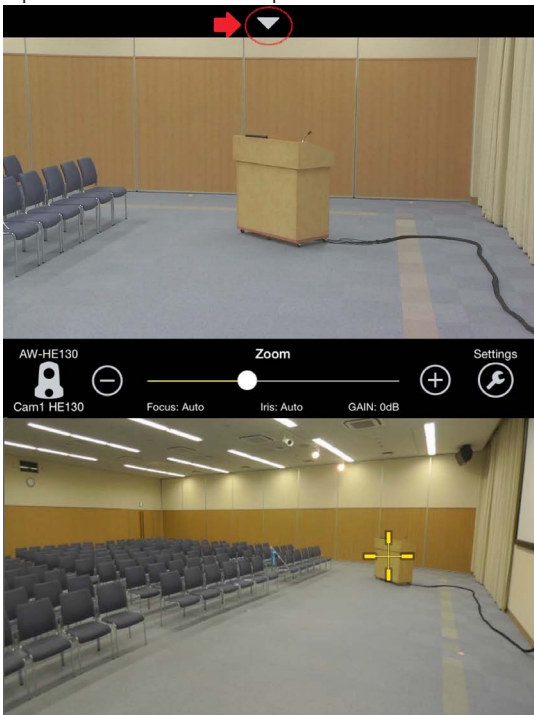
Once the connection settings and initial settings are complete, touching the camera video in the lower area of the home screen of PTZ Cntrl operates the HD integrated camera of the upper area so that its shooting center becomes the touched position.

To adjust the zoom position, use the slider in the center of the screen or pinch*1 the upper area of the screen.

You can also tap the camera image in the upper area of the screen to move the center of the image to the tapped position or drag the image to control the camera movement to further control what images are recorded.

*1 Pinch: Gesture using two fingers.

Furthermore, you can make fine adjustments to the shooting angle of view as touching the camera video in the upper area changes the camera position so that the touched position becomes the center.



For details on further home screen operations, refer to the Help screen of PTZ Cntrl.

Preset buttons appear when you tap [▼] in the lower area of the screen. Tap the number buttons to quickly recall stored camera positions. You can tap and hold the number buttons to store up to nine preset positions.

Troubleshooting

■ The following are normal and not indicative of any problem.

The subjects appear distorted	<ul style="list-style-type: none"> • A subject that moved across in front of the camera quickly may appear slightly distorted because a MOS is used for the unit's image sensor, but this is not indicative of any problem.
When the flash is fired during shooting, only the top or bottom of the screen becomes lighter	<ul style="list-style-type: none"> • With a MOS image sensor, the shooting timing differs slightly between the top left and bottom right of the screen. This means that when the flash is fired, the bottom of the screen will become lighter in the field concerned and the top will become lighter in the next field. This is normal and not indicative of any problem.

■ Power

Symptom	Cause and solution	Reference pages
No power	<ul style="list-style-type: none"> • When the status display lamp is off, power is not being supplied or the unit is turned off. → Correctly connect the AC adaptor and the power cord. → Press the power button on the unit. 	---
	<ul style="list-style-type: none"> • If you turn off the unit with the power button of the unit, the unit cannot be turned on from the Web screen. Press the power button to turn on the unit. 	---
	<ul style="list-style-type: none"> • Is the LAN cable connected securely to the IP control LAN connector? 	page 19
	<ul style="list-style-type: none"> • Is the network cable for the PoE (IEEE802.af) compatible power supply device and the unit connected properly? 	page 19
	<ul style="list-style-type: none"> • Power may not be supplied if the total power limit is exceeded on power supply devices that allow connections to multiple PoE terminals. → Refer to the operating instructions for the PoE power supply device. 	page 19

■ Web screen

Symptom	Cause and solution	Reference pages
Web screen cannot be accessed	<ul style="list-style-type: none"> • Check the system requirements of the Web screen. 	page 25
	<ul style="list-style-type: none"> • Is a LAN cable of category 5 or higher connected? 	page 29
	<ul style="list-style-type: none"> • If the <LINK/ACT> LED of the LAN connector for IP control is off, a connection has not been correctly established to the LAN or the network of the connection destination is not working properly. → Check the LAN cable for a contact failure, and check the wiring. 	page 29
	<ul style="list-style-type: none"> • Is the power on? → If the unit's status display lamp is off or lit orange, the unit is not on. 	page 29
	<ul style="list-style-type: none"> • Has a valid IP address been set in the unit? 	PDF page 24
	<ul style="list-style-type: none"> • After changing the unit's IP address, enter "http://New IP address/" in the address bar of the Web browser. 	PDF page 16
	<ul style="list-style-type: none"> • Has the wrong IP address been accessed? → Check the connections by following the steps below. For Windows: Using the Windows command prompt, execute > ping [IP address which has been set in the camera]. A reply returned from the unit signifies that there are no problems in operation. If a reply is not received, try following operation: 1 Press the <INIT> button to initialize the unit's network settings. 2 Start the Web setup screen and then configure the network settings again. For Mac: Using the OS X terminal, execute > ping -c 10 [IP address which has been set in the camera]. A reply returned from the unit signifies that there are no problems in operation. If a reply is not received, try following operation: 1 Press the <INIT> button to initialize the unit's network settings. 2 Start the Web setup screen and then configure the network settings again. 	---

Troubleshooting (continued)

Symptom	Cause and solution	Reference pages
Web screen cannot be accessed	<ul style="list-style-type: none"> • Has 554 been set as the HTTP port number? → For the HTTP port numbers that can be used by the unit, refer to "HTTP port" (→ PDF page 24). 	PDF page 24
	<ul style="list-style-type: none"> • Has the same IP address setting been used for another device? [When the unit and personal computer are connected in the same subnet] Set IP addresses for the unit and personal computer that are in the same subnet. Also, disable the "Use proxy server" setting in the Web browser. When accessing the unit within the same subnet, it is recommended that the unit's address be set to the [Remove from proxy] address. [When the unit and personal computer are connected to different subnets] Check whether the default gateway value set for the unit is correct. 	PDF page 24
Settings on the Web setup screen or the camera images are not updated or displayed properly	<ul style="list-style-type: none"> • Enable the HTTP referer send function of the firewall function, etc. of the antivirus software. For details, refer to the instructions for the antivirus software. 	---
	<p>For Windows:</p> <ul style="list-style-type: none"> • Press the [F5] key on the computer's keyboard to request that the settings be acquired. <p>For Mac:</p> <ul style="list-style-type: none"> • Press the [Command] + [R] key on the computer's keyboard to request that the settings be acquired. 	---
	<ul style="list-style-type: none"> • Perform the following to delete the temporary Internet files. For Windows: 1 Select [Tools] - [Internet Options] in Internet Explorer. 2 Click the [General] tab, and click the [Delete] button under [Browsing history]. 3 In the [Delete Browsing History] dialog box, select the [Temporary Internet Files] check box, and then click [Delete]. 4 Click the [OK] button. For Mac: 1 Select [Safari] - [Empty Cache] in Safari. 2 Click [Empty] in the [Are you sure you want to empty the cache?] pop-up screen. 	---
	<ul style="list-style-type: none"> • If [Check for newer versions of stored pages] is not set to [Every time I visit the webpage] in the temporary Internet file settings, IP images may not appear in the Web setup screen. For Windows: → Perform the following. 1 Select [Tools] - [Internet Options] in Internet Explorer. 2 Click the [General] tab, and click the [Settings] button under [Browsing history]. 3 In the [Temporary Internet Files and History Settings] dialog box, select the [Every time I visit the webpage] option under [Check for newer versions of stored pages]. 4 Click the [OK] button. 	---
No pictures are displayed or the pictures are disturbed	<ul style="list-style-type: none"> • Is the unit connected to the other devices correctly? 	page 19
	<ul style="list-style-type: none"> • If the system is configured in such a way that the picture is also switched when the unit to be operated is selected, has the correct unit been selected? 	---
	<ul style="list-style-type: none"> • Are [Format], [Down CONV. Mode], and [System Frequency] set correctly? 	PDF page 22
Multiple color bands (color bars) are displayed	<ul style="list-style-type: none"> • Switch to the camera picture. 	PDF page 25
Something is wrong with the coloring of the pictures	<ul style="list-style-type: none"> • Set the white balance to ATW (auto). If the color is not correct even with ATW, set a white balance set. 	PDF page 21
When fine lines or cyclical patterns are shot, flickering is seen or coloring is added to them	<ul style="list-style-type: none"> • This phenomenon occurs because the pixels are arranged systematically on each image sensor. It is noticeable when the spatial frequency of a subject and the pixel pitch are brought into proximity, so change the camera angle or take other such action. 	---

Precautions when using a personal computer

The symptoms described below may occur when using a personal computer. Follow the instructions of the corresponding solution. (This section describes solutions to be performed from an administrator account.)

<NOTE>

- The following information is based on the results of operation confirmation tests performed by Panasonic. The symptoms may vary depending on factors such as your personal computer environment and OS update state.

When using Windows

The operating procedures and screens in the explanations are for Windows 7 and Internet Explorer 9.0.

■ Pop-up appears when you attempt to access with the Web browser and you cannot log in



Perform the procedures A and B below.

A) In the information bar, set the pop-up to [Always allow].

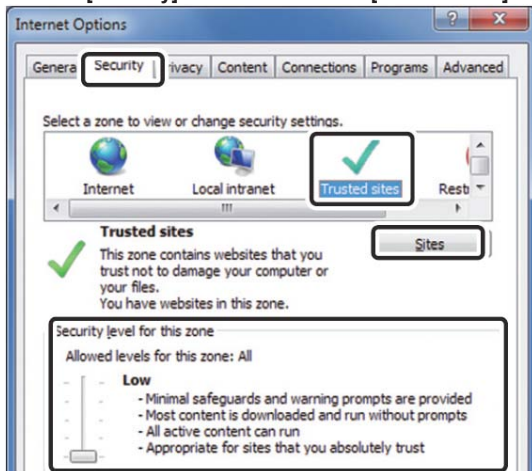
- 1) Click [Options for this site] in the information bar.



- 2) Click [Always allow].

B) Register as trusted site and add security setting.

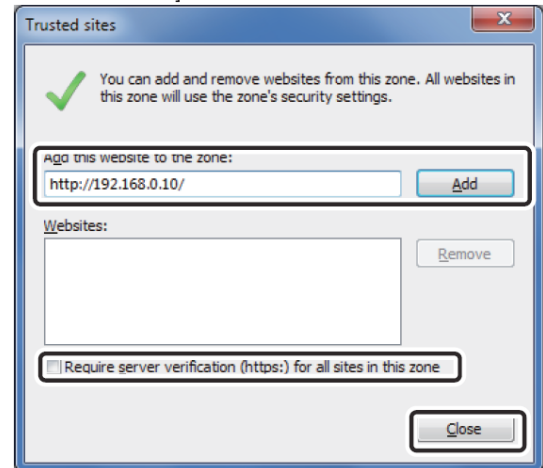
- 1) Click [Tools] → [Internet options] in Internet Explorer.
- 2) Click the [Security] tab and then select [Trusted sites].



- 3) Set [Security level for this zone] to [Low].
 - The security level of your personal computer is reduced by this setting.
- 4) Click [Sites].

- 5) Enter [http://Unit's IP address/] in [Add this website to the zone] and then click [Add].

- Also confirm that the [Require server verification (https:) for all sites in this zone] check box is cleared.



- 6) Click [Close].

■ Unnecessary status bar or scroll bar is displayed in the pop-up window

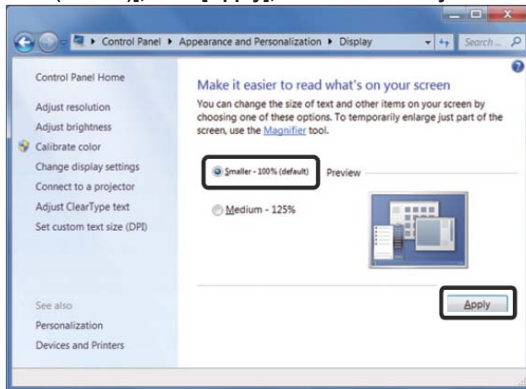
- 1) Click [Tools] → [Internet options] in Internet Explorer.
- 2) Click the [Security] tab and then select [Internet].
- 3) Click [Custom level].
- 4) Select [Enable] for [Allow script-initiated windows without size or position constraints].
- 5) Click [OK].
- 6) When the warning window appears, click [Yes].

■ Web browser screen is not displayed correctly



Change the size of text displayed on your screen in [Display] of [Personalize].

- 1) Right-click the desktop.
- 2) Click [Personalize].
- 3) Click [Display].
- 4) Set the size of text displayed on your screen to [Smaller - 100% (default)], click [Apply], and then restart your computer.



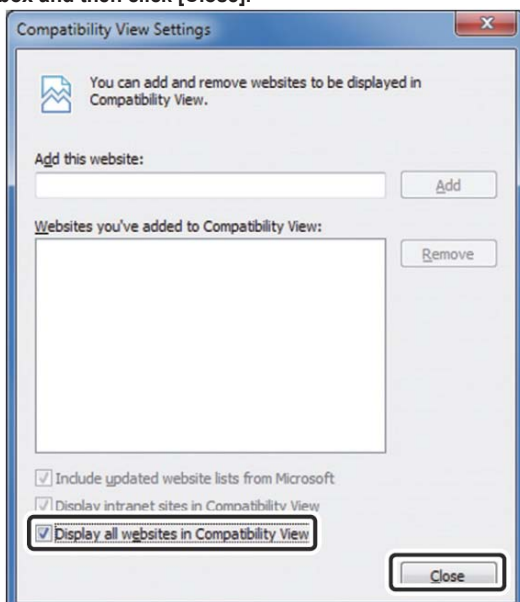
Restrictions

- If two instances of the browser are started on the same personal computer and placed over each other, the Web browser screens in the background and foreground may be switched if the mouse pointer is moved from the Web browser screen in the foreground to the Web browser screen in the background.
- When the unit is accessed from the Web browser, a different window may be displayed and another pop-up window may open.

■ Screen layout is abnormal, portions of the screens do not appear when running Compatibility View, or a pop-up screen concerning the inability to redisplay the screens appears

Enable [Display all websites in Compatibility View] in [Compatibility View Settings].

- 1) Click [Tools] in Internet Explorer.
- 2) Click [Compatibility View Settings].
- 3) Select the [Display all websites in Compatibility View] check box and then click [Close].



■ Network is disconnected when the personal computer enters sleep mode

Reload the screen if necessary after exiting sleep mode.

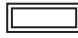
When using Mac

■ Web setup screen is not displayed as a pop-up window after entering the IP address and then accessing the unit from Safari

In Safari, select [Safari] → [Block Pop-Up Windows] to clear the check mark.

Specifications

Power requirements: 5.0 V DC (when using AC adaptor)
44 - 57 V DC (PoE power supply)
Current consumption: 0.86 A (when using AC adaptor)
0.14 A (PoE power supply)

 indicates safety information.

Control Assist Camera

Image sensor:

1/2.33-inch MOS solid-state image sensor
(Effective size of image sensor: 1/4.37-inch)
Total pixels: Approx. 15.3 million
Effective pixels
Video: Approx. 3.91 million (16:9)

Lens:

F2.0 (f = 2.15 mm)
35 mm equivalent; Approx. 18.0 mm (16:9)
Field of view: 95° (horizontal), 56° (vertical) [When zoom is 1x]
Minimum focus distance: Approx. 80 cm (3-1/8 inches)

Shutter speed:

1/60 to 1/12000

White balance:

ATW, Sunny, Cloudy, Indoor1, Indoor2, AWB A, AWB B

Standard illumination:

1,400 lx

Minimum illumination:

Approx. 20 lx (1/60 in auto mode)

Video output

HDMI:

- HDMI connector
- HDCP is not supported.
- Viera Link is not supported.

Network:

10BASE-T/100BASE-TX,
RJ-45 connector,
Automatic recognition of straight/crossover cable
Used for maintenance.

Used for maintenance

USB:

Mini-B port

Dimensions (W x H x D):

183 mm x 65 mm x 225 mm
(7-3/16 inches x 2-9/16 inches x 8-7/8 inches)

Unit weight:

Approx. 0.9 kg (1.98 lb) (excluding mounting brackets)

Allowable operating temperature

0°C to 40°C (32°F to 104°F)

Allowable relative humidity

10% to 80%

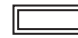
AC adaptor

For AW-HEA10WPJ/AW-HEA10KPJ

Input: 100 - 240 V AC, 50/60 Hz, 12 W
Output: 5.0 V DC 1.6 A

For AW-HEA10WEJ/AW-HEA10KEJ

Input: 110 - 240 V AC, 50/60 Hz, 12 W
Output: 5.0 V DC 1.6 A

 indicates safety information.

**Inrush current, measured according to European standard
EN55103-1 : 3.2 A**

Index

A

Accessories 27

C

Cable clamp 29

D

DC IN 29

DC input connector 29

E

Easy IP Setup Software 30

H

HDMI connector 29

I

INIT button 29

L

LAN connector 29

Lens 29

M

microSD card slot 29

O

Optional accessories 27

P

Power button 29

PTZ Cntrl 31

S

Status display lamp 29

U

USB connector 29

A series of horizontal dashed lines for writing.

Handwriting practice area consisting of 30 horizontal dashed lines.



Disposal of Old Equipment

Only for European Union and countries with recycling systems

This symbol on the products, packaging, and/or accompanying documents means that used electrical and electronic products must not be mixed with general household waste.

For proper treatment, recovery and recycling of old products, please take them to applicable collection points in accordance with your national legislation.

By disposing of them correctly, you will help to save valuable resources and prevent any potential negative effects on human health and the environment. For more information about collection and recycling, please contact your local municipality, dealer or supplier. Penalties may be applicable for incorrect disposal of this waste, in accordance with national legislation.