

Zoom Lens (1.5–2.0:1) for DLP™-Based Projector

ET-D75LE1

This zoom lens is designed for use with the DLP™-based projector, for instance, the PT-D7600. The lens makes it possible to vary the projection distance by changing the focal distance.
 NOTE: Please use the lens only on the specified Panasonic DLP™-based projector.

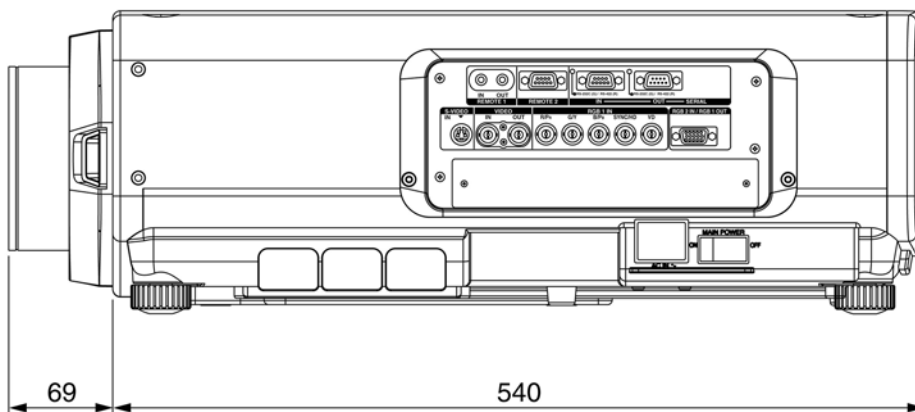
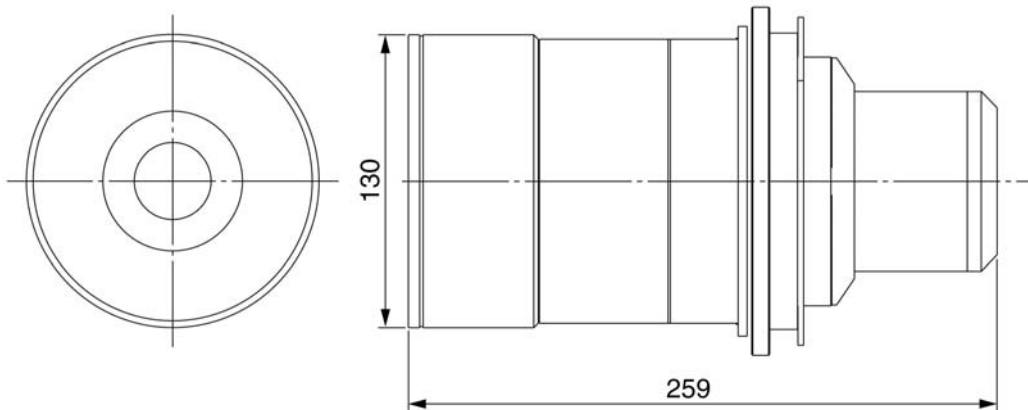
Specifications

F value:	2.5
Focal distance:	28.8 mm – 38.4 mm
Dimensions (W x H x D):	130 x 130 x 259 mm (5-1/8" x 5-1/8" x 10-3/16")
Weight:	4.6 kg (10.1 lbs)

Weights and dimensions shown are approximate.
 Specifications subject to change without notice.
 Digital Light Processing and DLP are trademarks of Texas Instruments.

Dimensions

unit: mm



The illustration shows the lens attached to the DLP™-based projector.

Note: This illustration is not drawn to scale.

Zoom Lens (2.0–3.0:1) for DLP™-Based Projector

ET-D75LE2

This zoom lens is designed for use with the DLP™-based projector, for instance, the PT-D7600. The lens makes it possible to vary the projection distance by changing the focal distance.
 NOTE: Please use the lens only on the specified Panasonic DLP™-based projector.

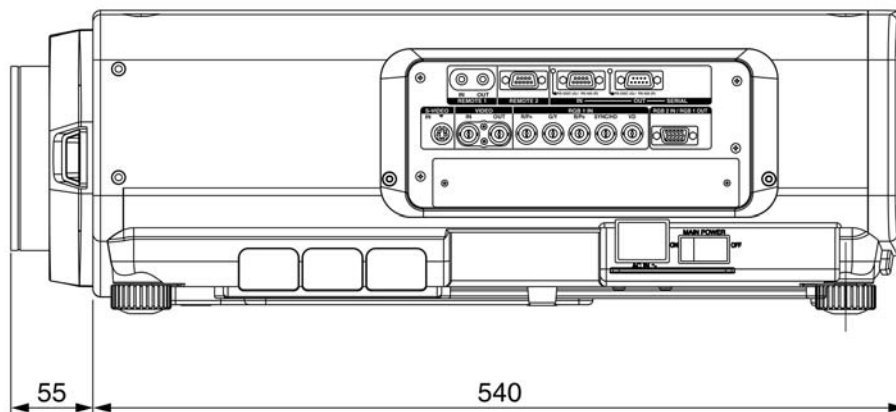
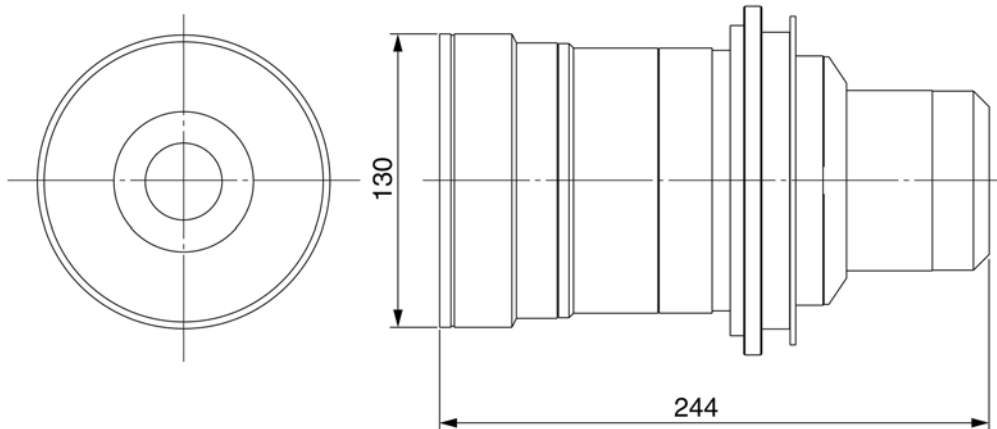
Specifications

F value:	2.5
Focal distance:	38.7 mm – 58.0 mm
Dimensions (W x H x D):	130 x 130 x 244 mm (5-1/8" x 5-1/8" x 9-5/8")
Weight:	4.0 kg (8.8 lbs)

Weights and dimensions shown are approximate.
 Specifications subject to change without notice.
 Digital Light Processing and DLP are trademarks of Texas Instruments.

Dimensions

unit: mm



The illustration shows the lens attached to the DLP™-based projector.

Note: This illustration is not drawn to scale.

Zoom Lens (3.0–5.0:1) for DLP™-Based Projector

ET-D75LE3

This zoom lens is designed for use with the DLP™-based projector, for instance, the PT-D7600. The lens makes it possible to vary the projection distance by changing the focal distance.
 NOTE: Please use the lens only on the specified Panasonic DLP™-based projector.

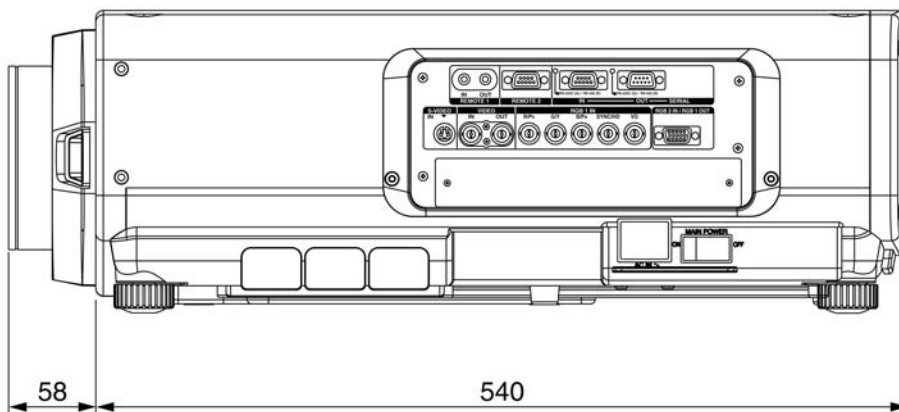
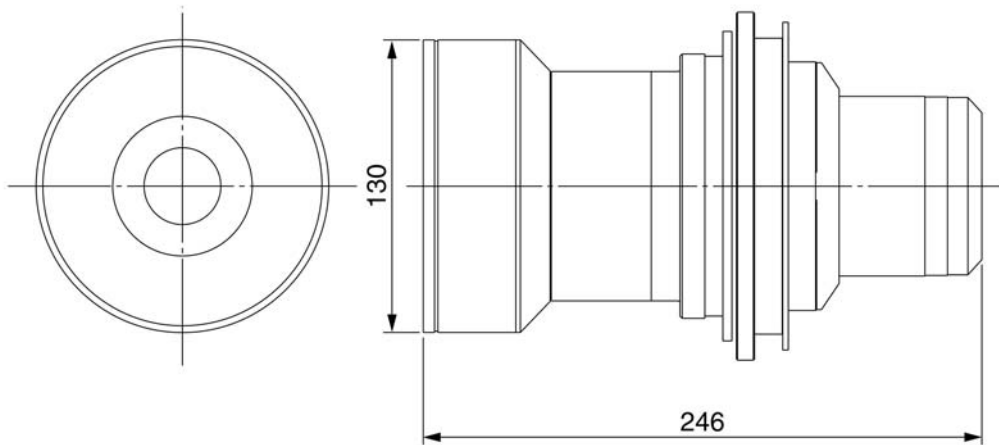
Specifications

F value:	2.5
Focal distance:	58.1 mm – 96.5 mm
Dimensions (W x H x D):	130 x 130 x 246 mm (5-1/8" x 5-1/8" x 9-11/16")
Weight:	4.1 kg (9.0 lbs)

Weights and dimensions shown are approximate.
 Specifications subject to change without notice.
 Digital Light Processing and DLP are trademarks of Texas Instruments.

Dimensions

unit: mm



The illustration shows the lens attached to the DLP projector.

Note: This illustration is not drawn to scale.

Zoom Lens (5.0–8.0:1) for DLP™-Based Projector

ET-D75LE4

This zoom lens is designed for use with the DLP™-based projector, for instance, the PT-D7600. The lens makes it possible to vary the projection distance by changing the focal distance.
 NOTE: Please use the lens only on the specified Panasonic DLP™-based projector.

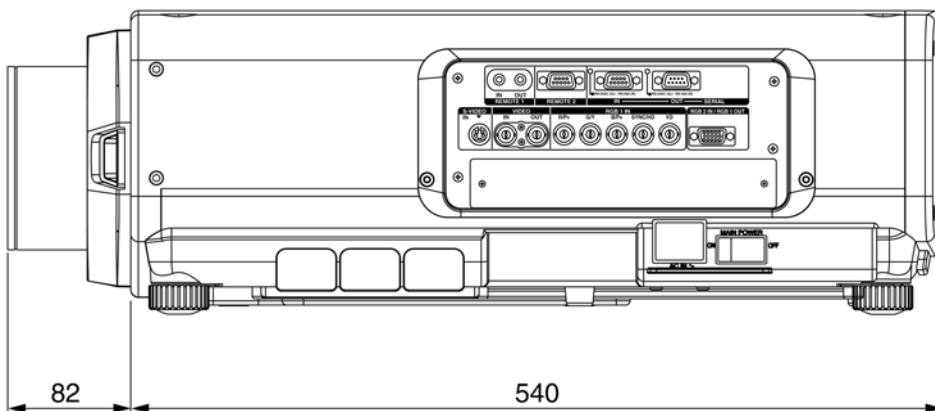
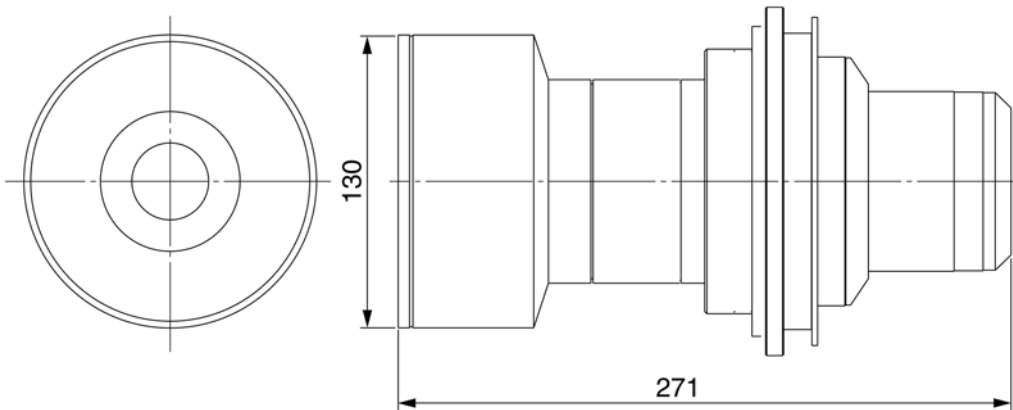
Specifications

F value:	2.5
Focal distance:	96.5 mm – 154.1 mm
Dimensions (W x H x D):	130 x 130 x 271 mm (5-1/8" x 5-1/8" x 10-11/16")
Weight:	3.7 kg (8.2 lbs)

Weights and dimensions shown are approximate.
 Specifications subject to change without notice.
 Digital Light Processing and DLP are trademarks of Texas Instruments.

Dimensions

unit: mm



The illustration shows the lens attached to the DLP projector.

Note: This illustration is not drawn to scale.

ET-D75LE5

Fixed-Focus Lens (0.8:1)

This fixed-focus short-throw lens is designed for use with the DLP™-based projector, for instance, the PT-D7600.

NOTE: Please use the lens only on the specified Panasonic DLP™-based projector.

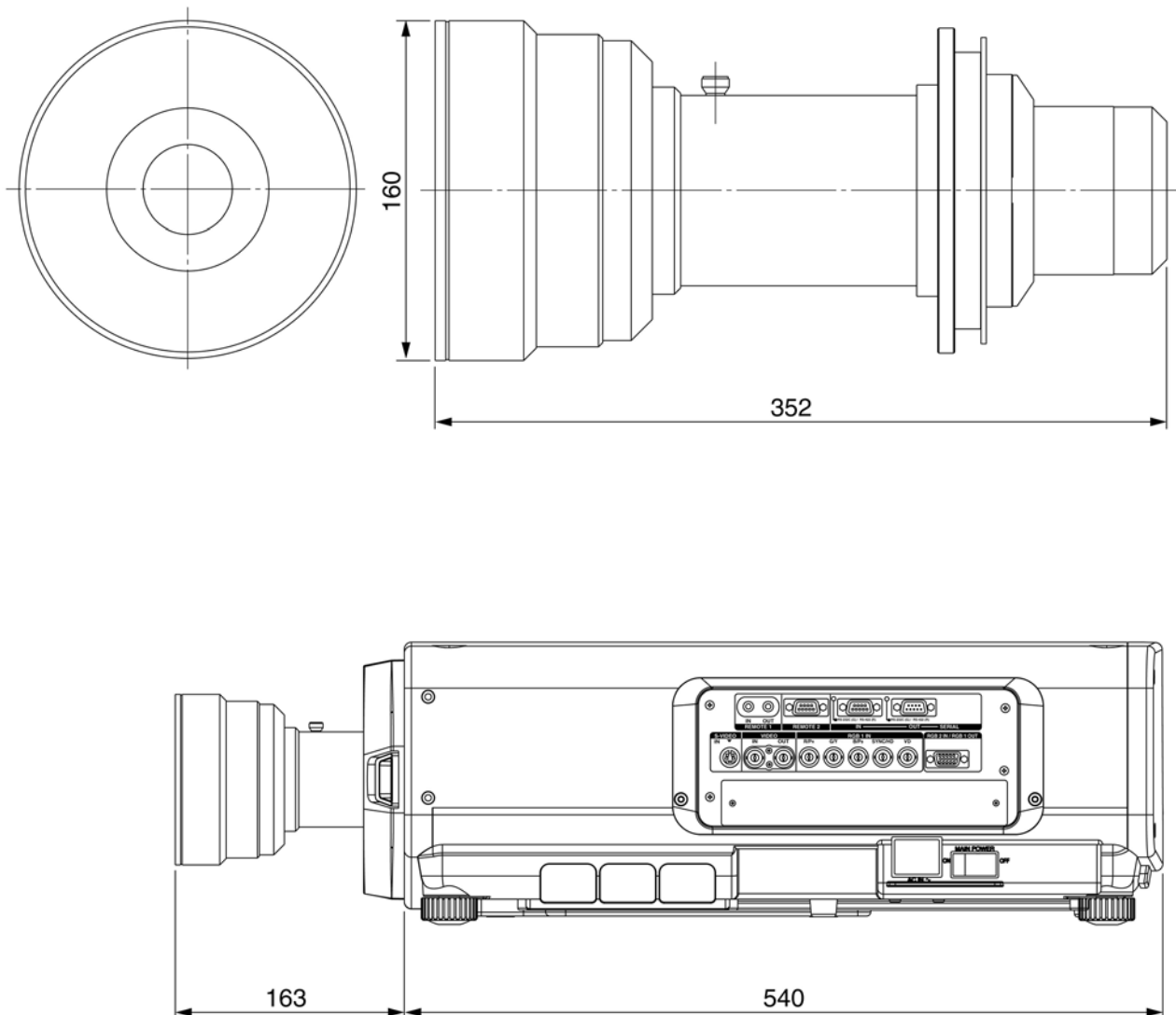
Specifications

F value:	2.5
Focal distance:	14.8 mm
Dimensions (W x H x D):	130 x 130 x 352 mm (5-1/8" x 5-1/8" x 13-7/8")
Weight:	6.0 kg (13.2 lbs)

Weights and dimensions shown are approximate.
 Specifications subject to change without notice.
 Digital Light Processing and DLP are trademarks of Texas Instruments.

Dimensions

unit: mm



The illustration shows the lens attached to the DLP projector.

Note: This illustration is not drawn to scale.