

41cm (16") Color AV Monitor

## WV-CM1780

### PS•Data

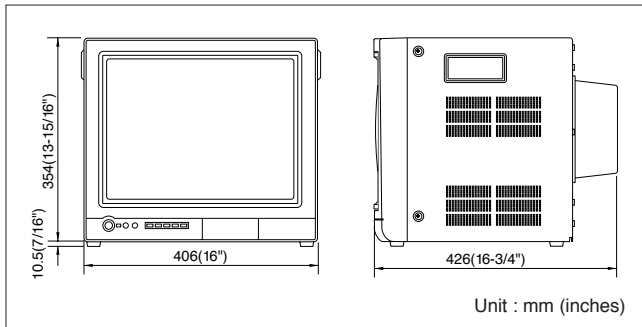


- 41cm (16") diagonal actual visual size.
- 800 TV lines h.resolution (S-Video).
- 3 channel video inputs (composite A/B or S-Video).
- Built-in Panasonic Security Data Link connector.
- Max. 0.7W speaker output.
- Optional adaptor WQ-LM170 for EIA 19-type rack.

**WQ-LM170**  
(Optional)



#### DIMENSIONS



#### SPECIFICATIONS

Power Source	120 V AC, 60 Hz
Power Consumption	73 W (Approx.)
Input/Output	Video (Input: 2 / Output: 2) -- BNC; 1.0 V [p-p] composite / 75 Ω or Hi-z looping through S-Video (Input: 1) Y; 1.0 V [p-p] / 75 Ω C; 0.286 V [p-p] / 75 Ω Audio--RCA; 2 Inputs / 2 Outputs
TV System	NTSC
Horizontal Resolution	800 lines at center (S-Video)
PS-Data Link Connector	Yes
Sweep Linearity	Less than 5%
Sweep Geometry	Less than 2%
Overscanning	8%
Actual Visual Size (Approx.)	41 cm (16") diagonal
CRT Size (Approx.)	45 cm (17-1/2") diagonal
19-type Rack-Mount	△ Yes
Ambient Operating Temperature	-10°C - +50°C (+14°F - +122°F)
Ambient Operating Humidity	Less than 90%
Speaker Output	0.7 W
Dimensions (W x H x D)	406 x 354 x 426 mm (16" x 13-15/16" x 16-3/4")
Weight	18.5 kg (40.8 lbs.)

△: with optional rack angle bracket.

36cm (14") Color AV Monitor

## WV-CM1480

### PS•Data

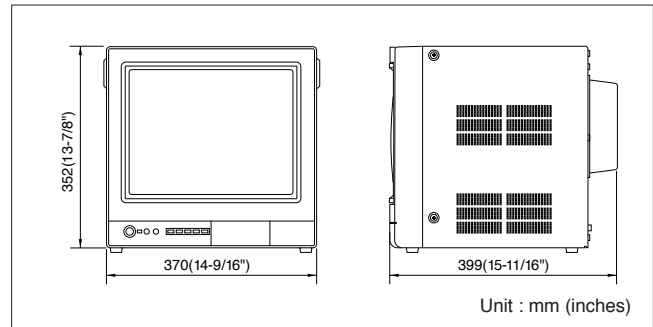


- 36cm (14") diagonal actual visual size.
- 750 TV lines h.resolution (S-Video).
- 3 channel video inputs (composite A/B or S-Video).
- Built-in Panasonic Security Data Link connector.
- Max. 0.7W speaker output.
- Optional adaptor WQ-LM140 for EIA 19-type rack.

**WQ-LM140**  
(Optional)



#### DIMENSIONS



#### SPECIFICATIONS

Power Source	120 V AC, 60 Hz
Power Consumption	70 W (Approx.)
Input/Output	Video (Input: 2 / Output: 2) -- BNC; 1.0 V [p-p] composite / 75 Ω or Hi-z looping through S-Video (Input: 1) Y; 1.0 V [p-p] / 75 Ω C; 0.286 V [p-p] / 75 Ω Audio--RCA; 2 Inputs / 2 Outputs
TV System	NTSC
Horizontal Resolution	750 lines at center (S-Video)
PS-Data Link Connector	Yes
Sweep Linearity	Less than 5%
Sweep Geometry	Less than 2%
Overscanning	8%
Actual Visual Size (Approx.)	36 cm (14") diagonal
CRT Size (Approx.)	40 cm (15-1/2") diagonal
19-type Rack-Mount	△ Yes
Ambient Operating Temperature	-10°C - +50°C (+14°F - +122°F)
Ambient Operating Humidity	Less than 90%
Speaker Output	0.7 W
Dimensions (W x H x D)	370 x 352 x 399 mm (14-9/16" x 13-7/8" x 15-11/16")
Weight	15 kg (33.1 lbs.)

△: with optional rack angle bracket.