

WV-LF4R5C3A LF9C3A 1/3" Fixed Iris Lenses

PRODUCT FEATURES

WV-LF4R5C3A:

- Focal length: 4.5mm
- CS-mount
- 1:1.2 aperture ratio
- Field-of-view: 56.4°(H), 43.3°(V)

WV-LF9C3A

- Focal length: 9mm
- CS-mount
- 1:1.2 aperture ratio
- Field-of-view: 29.6°(H), 22.2°(V)

GENERAL SPECIFICATIONS

Focal Length	WV-LF4R5C3A: 4.5mm WV-LF9C3A: 9mm
Mount	CS-mount
Aperture Ratio	1:1.2
Iris Type	Fixed
Image Size	4.8(H) x 3.6(V)mm (equivalent to 1/3")
Filter Size	M30.5mm, P=0.5
Field-of-View (H)	WV-LF4R5C3A: 56.4° WV-LF9C3A: 29.6°
Field-of-View (V)	WV-LF4R5C3A: 43.3° WV-LF9C3A: 22.2°
Weight	WV-LF4R5C3A: 0.06 lbs. (29g) WV-LF9C3A: 0.05 lbs. (23g)
Dimensions	1 1/16"L x 1 1/16"D (36 x 34mm)

Weights and dimensions shown are approximate.
Specifications subject to change without notice.



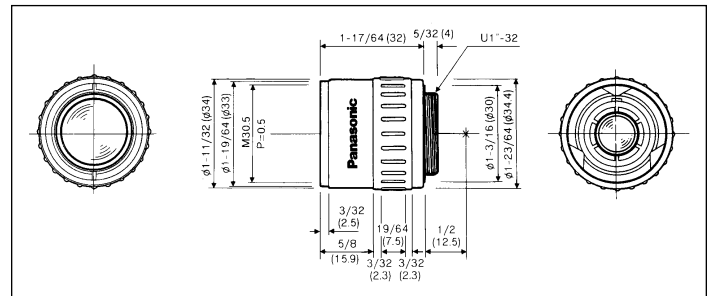
WV-LF4R5C3A



WV-LF9C3A

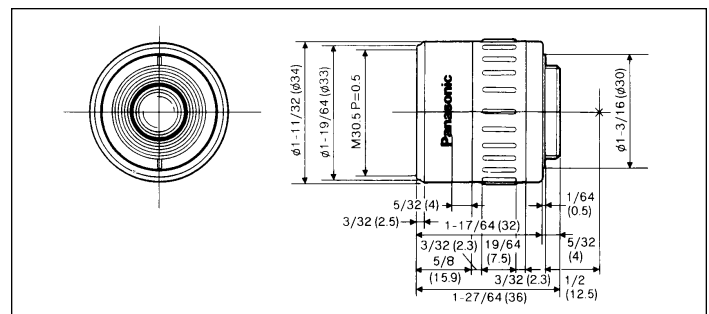
WV-LF4R5C3A

Unit=inches (mm)



WV-LF9C3A

Unit=inches (mm)



ARCHITECTS' AND ENGINEERS' BID SPECIFICATIONS

WV-LF4R5C3A

The 1/3" fixed iris lens shall be a Panasonic model WV-LF4R5C3A or equivalent. The 1/3" fixed iris lens shall be used in areas where there is a constant light source. The lens shall be compatible with 1/3" black-and-white or color CCD cameras. The lens shall have a focal length of 4.5mm and CS-mounting (special C-mount). The unit shall have a maximum aperture ratio of 1:1.2 and an optical filter size of M30.5mm, P=0.5. The unit shall have an angular field-of-view of 56.4°(H), and 43.3°(V), and an image format of 4.8(H) x 3.6(V)mm (1/3"). The lens shall not exceed the following dimensions: 1 1/16"L x 1 1/16"D.

WV-LF9C3A

The 1/3" fixed iris lens shall be a Panasonic model WV-LF9C3A or equivalent. The 1/3" fixed iris lens shall be used in areas where there is a constant light source. The lens shall be compatible with 1/3" black-and-white or color CCD cameras. The lens shall have a focal length of 9mm and CS-mounting (special C-mount). The unit shall have a maximum aperture ratio of 1:1.2 and an optical filter size of M30.5mm, P=0.5. The unit shall have an angular field-of-view of 29.6°(H), and 22.2°(V), and an image format of 4.8(H) x 3.6(V)mm (1/3"). The lens shall not exceed the following dimensions: 1 1/16"L x 1 1/16"D.