

# 2-CHANNEL POWER AMPLIFIER (100 V AND 70 V)

# RCS

BA-2120CP

**240 W**

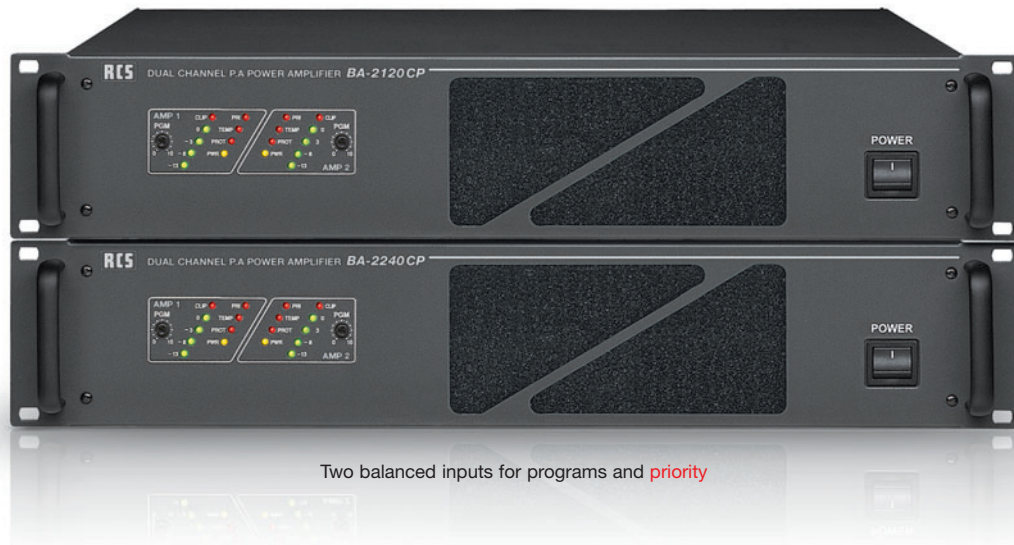
2 x 120 W

High-quality ball-bearing fan ensures quiet running and long service life.

BA-2240CP

**480 W**

2 x 240 W



Two balanced inputs for programs and **priority**

## Description

These 19" 2-channel power amplifiers are ideal for the use in professional audio applications with 100 V, 70 V and 25 V line systems. They also provide low-impedance outputs (8 ohms). The devices are manufactured in state-of-the-art production processes using high-quality components such as toroidal transformers.

They have been designed for continuous operation. They are absolutely short circuit and open circuit proof and are equipped with all relevant protection devices.

Please consider the following features:

- All the 2-channel amplifiers of the "CP" series have 2 electronically balanced audio inputs for programs and one input (with **priority**) for priority announcements, etc.
- The amplifiers are equipped with a ball-bearing fan which minimizes running noise and ensures maximum service life.
- Although the devices have different output power ratings (240, 480 W), they all have the same design and identical dimensions.
- The amplifiers have electronically balanced inputs on screw-type connectors. Possible hum pick-up from ground loops is avoided through the balanced inputs and outputs.
- The screw-type connectors substantially facilitate the wiring for signal input. Time consuming fitting of cables with XLR connectors is eliminated.
- A monitor output permits program monitoring.

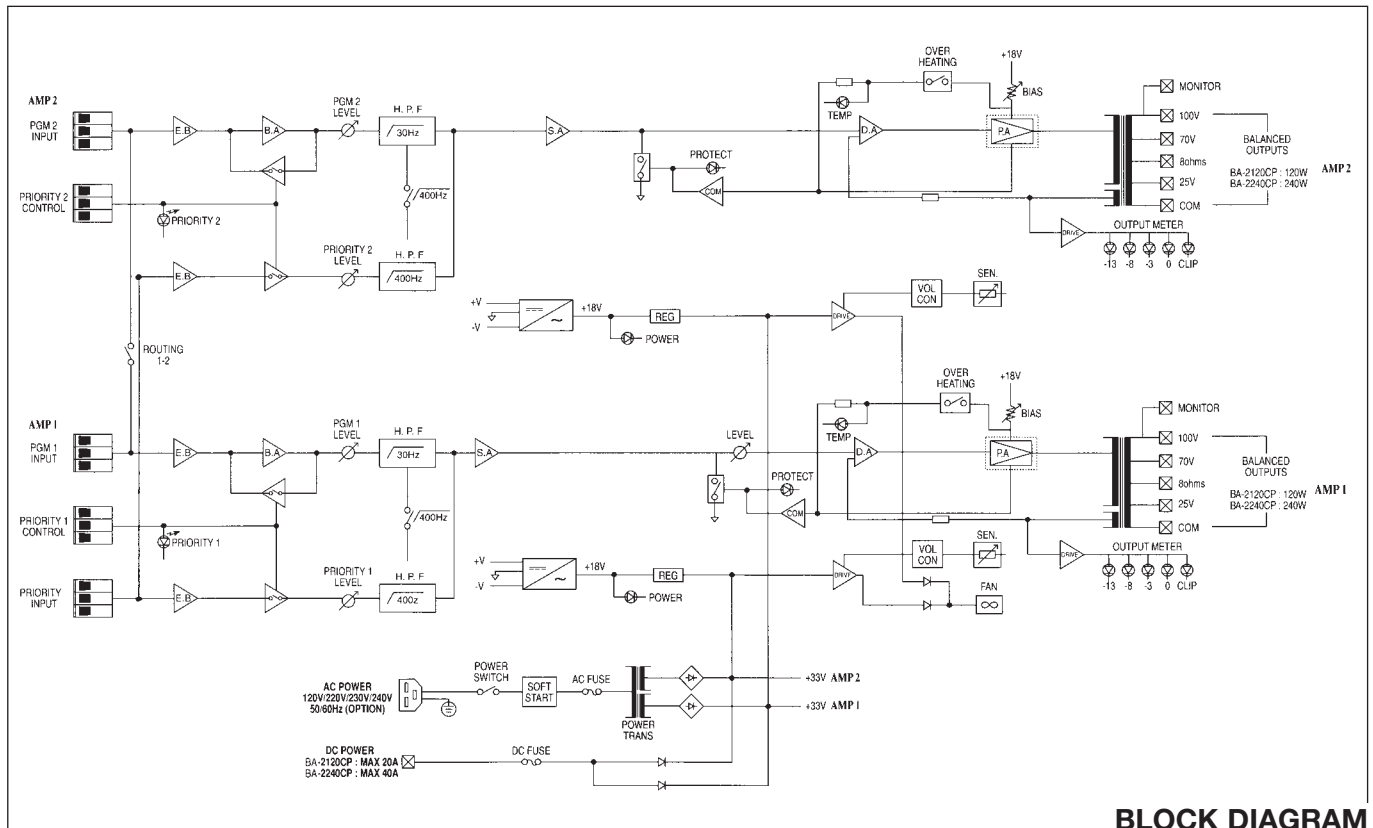
- The multicoloured LED indicators located on the front panel continuously indicate the operating status of the amplifier including protection functions and possible dangers.
- The two high-pass filters (400 Hz), which are located on the rear and which can be activated separately for each channel, reduce internal resonances and additionally increase the sound quality.
- All models feature soft start and a special circuit which suppresses unpleasant switch-on noise.
- A „ROUTING SWITCH" located on the rear allows parallel input operation of the two amplifier channels.

\*

## Model designations

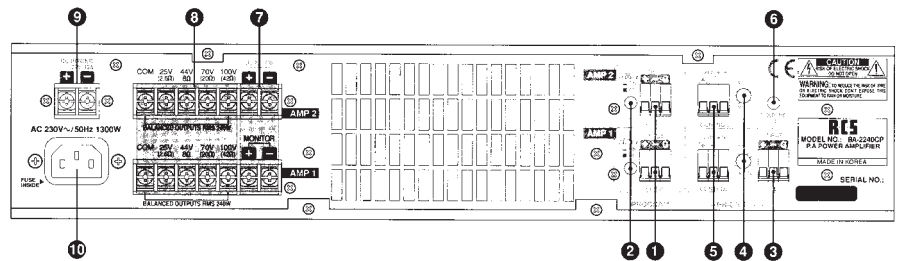
**2-Channel Power Amplifier, ..... BA- 2120 CP**  
2 x 120 W RMS, 2 RU, 2 inputs for programs and 1 input for paging with priority

**2-Channel Power Amplifier, ..... BA- 2240 CP**  
2 x 240 W RMS, 2 RU, 2 inputs for programs and 1 input for paging with priority



**BLOCK DIAGRAM**

- 1 Input on screw-type connectors
- 2 Switch for high-pass filter 400 Hz
- 3 Input for priority signal
- 4 Volume control for priority signal independent of program control
- 5 Screw-type connectors for priority activation via 24 V or switch
- 6 ROUTING SWITCH for parallel operation
- 7 Terminals for monitor output
- 8 High-impedance and low-impedance speaker outputs
- 9 24 V DC power supply terminal
- 10 IEC power inlet (cold condition)



Rear view

Technical data	BA-2120CP	BA-2240CP
Output power	2 x 120 W (RMS)	2 x 240 W (RMS)
Input sensitivity	+4 dB (1.23 V), 30 kohms, balanced	+4 dB (1.23 V), 30 kohms, balanced
Output impedance	25 V, 70 V, 100 V and 8 ohms	25 V, 70 V, 100 V and 8 ohms
Frequency response	35 ~ 20000 Hz (better than -3 dB)	35 ~ 20000 Hz (better than -3 dB)
Signal-to-noise ratio	better than 100 dB	better than 100 dB
THD at 1 kHz	better than 1 %	better than 1 %
Input filter	400 Hz /-3 dB	400 Hz /-3 dB
Power consumption	670 W	1300 W
Current consumption (230 V)	1.4 A at 1/8 power current draw 3.4 A at rated power current draw	2.8 A at 1/8 power current draw 6.6 A at rated power current draw
AC power supply	230 V, 50 - 60 Hz	230 V, 50 - 60 Hz
DC power supply	24 V (emergency power supply)	24 V (emergency power supply)
Dimensions (W x H x D in mm)	483 x 88 x 374; 2 RU	483 x 88 x 374; 2 RU
Weight	approx. 15 kg	approx. 18 kg