

2 Power classes
120 W / 240 W



Description

The new PA centers CPA-120 X/240 X features 4 switchable 100 V or 70 V speaker lines. The amplifier power amounts 120 W/240 W. Further features, the external controllable chime, 2 different types of siren, the insertable phantom power as well as an integrated priority function. The device is in the best way suitable for professional application.

Please consider the following features

- The inputs 1 and 2 are switchable from Mic. to LINE. Both XLR and jack plug (6.3 mm) can be used.
- The inputs 3 - 5 can process both Mic. and LINE signals (XLR = Mic; jack = LINE).
- All Mic/Line inputs are electronically balanced, whereby priority and phantom voltage can be assigned to inputs 1 and 2.
- The amplifier can be operated with 230 V AC or with 24 V DC.
- Additionally to the 4 lines, one 100 V-, one 70 V- and one 8 ohms output are available as unswitched speaker outputs.
- For cascading with further amplifiers as well as for feeding in external tone sources, an AMP-IN and a PRE-OUT are featured.
- An additional TEL-IN enables feeding in line signals with priority.
- The 2-tone chime is remote-controlled and can be released e.g. by a school clock or a substation.

- This model offers the option to insert a sound source module into the unit.
The following modules are available:

FM/AM tuner module
12 x FM + 6 x AM memory stations
TP-10



Cassette player module
Autoreverse and pause function
CP-10



Cassette/tuner module
Functions of TP-10 and CP-10
CR-10



CD/MP3- player module
Repeat, Random, etc.
CDP-10 M



CD/MP3- tuner module
RDS-Tuner and MP3-/CD-Player
CDR-10 RDS



Digital text module
6 texts up to 4 min. 28 sec.
DM-10

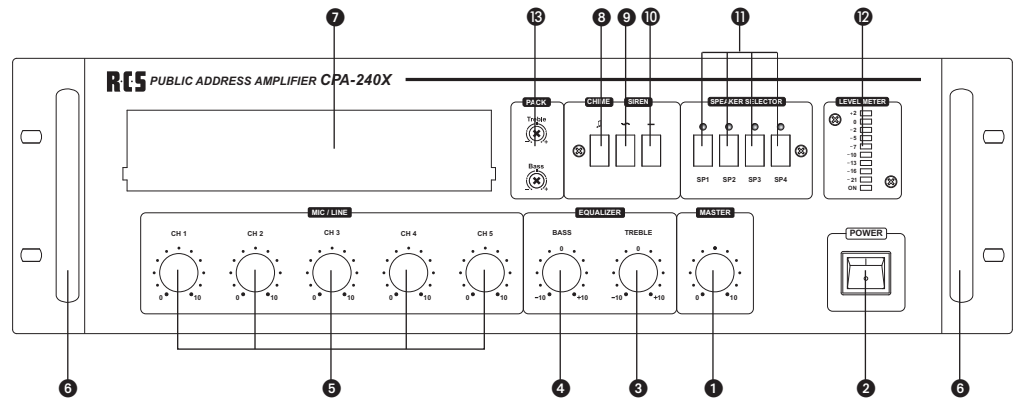


For a detailed description of the modules see pages 20 and 21.

Model designation

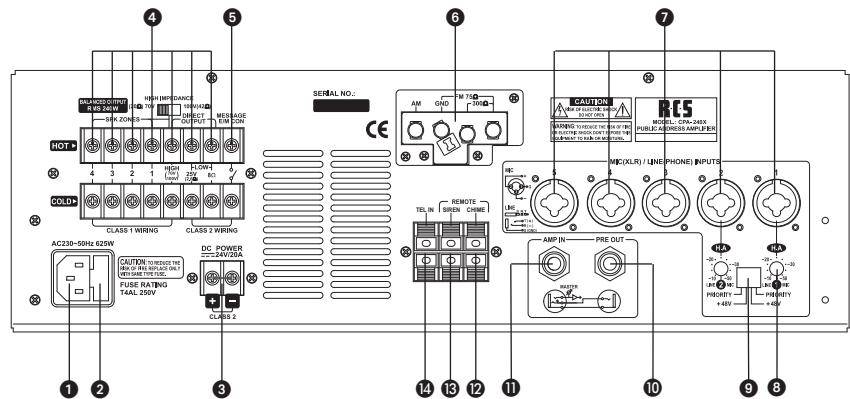
- Small central unit, 120 W** RMS, 3 RU **CPA-120 X**
- Small central unit, 240 W** RMS, 3 RU **CPA-240 X**

- 1 Master volume
- 2 Power switch
- 3 High frequency control
- 4 Low frequency control
- 5 CH 1-5 volume MIC / LINE
- 6 Handle
- 7 Accessory port
- 8 Chime switch
- 9 Siren switch up-down siren
- 10 Siren switch constant siren
- 11 Speaker selector
- 12 LED level meter
- 13 Tone controller for audio source module (pack)



Front view

- 1 AC inlet socket
- 2 AC fuse holder
- 3 DC power input terminals
- 4 Speaker terminal
- 5 Contact to activate priority if digital text module DM-10A is in use
- 6 Antenna terminals (only if tuner is installed)
- 7 MIC / LINE inputs 1 – 5
- 8 H.A Gain-Control
- 9 Switch phantom power / priority
- 10 PRE-OUT, jack 6,3 mm, asym.
- 11 AMP-IN, jack 6,3 mm, asym.
- 12 Chime remote contact
- 13 Siren remote contact
- 14 TEL-IN terminal, absolute priority



Rear view

Technical data	CPA-120X	CPA-240X
Output power	120 W RMS (max. 180 W)	240 W RMS (max. 360 W)
Frequency resp., noise level	80 Hz – 15000 Hz (± 3 dB), noise level MIC better than 60 dB, AUX/LINE better than 70 dB	
THD at 1 kHz	better than 1 %	
MIC – AUX/LINE inputs	All Mic/Line-Inputs are electronically balanced. Input 1+2 with priority. All Inputs feature Combo-females (Jack 6.3 mm, XLR) Mic: -50dB (2.45 mV), Line: -10dB (245 mV)	
Outputs, speakers	100 V – 70 V – 25 V, low impedance 8 ohms	
Additional input or output	AMP-IN: +4dB (1.23 V), PRE-OUT: +4dB (1.23 V)	
Two-tone chime and siren	Two-tone chime can be remote-controlled, siren optional with high-low or continuous tone.	
Power supply AC/DC	AC 230 V (50/60 Hz), DC 24 V	
Dimensions (in mm), weight	483 (B) x 133 (H) x 350 (T), 11 kg	13 kg