

MADE IN GERMANY



Note: When comparing prices, please take into account, our cabinets of the RAB series are delivered completely assembled and packaged.

Model designations

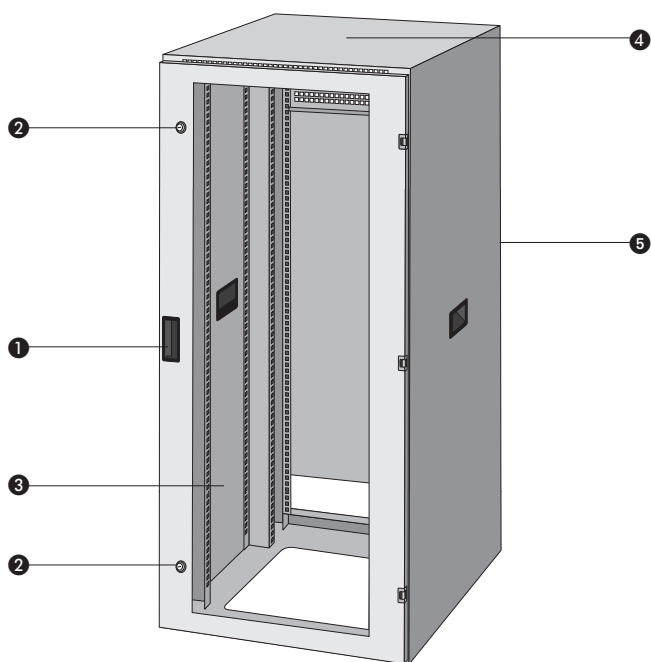
Plexiglass doors for 19" cabinets »RAB«

Plexiglass door, (14 RU)	RTB-014
Plexiglass door, (18 RU)	RTB-018
Plexiglass door, (24 RU)	RTB-024
Plexiglass door, (30 RU)	RTB-030
Plexiglass door, (36 RU)	RTB-036
Plexiglass door, (42 RU)	RTB-042

Model designations

19" cabinets without doors

19"-Cabinet, (14 RU)	RAB-014
19"-Cabinet, (18 RU)	RAB-018
19"-Cabinet, (24 RU)	RAB-024
19"-Cabinet, (30 RU)	RAB-030
19"-Cabinet, (36 RU)	RAB-036
19"-Cabinet, (42 RU)	RAB-042



- 1 Handle with grip recess
- 2 Cylinder lock
- 3 Full view plexiglass doors
- 4 Louvers for safe cooling
- 5 Rear panel removable

1 RU = 44.45 mm (1 3/4").

H = overall height in mm **h** = useable height (for 19" units) in mm
D = overall depth in mm **d** = useable depth (for 19" units) in mm
W = overall width in mm

Models	RU	H	h	D	d	W	Weight
RAB-014	14	707	630	600	530	569	30,0 kg
RAB-018	18	885	808	600	530	569	34,0 kg
RAB-024	24	1152	1075	600	530	569	38,0 kg
RAB-030	30	1418	1341	600	530	569	44,0 kg
RAB-036	36	1685	1608	600	530	569	46,0 kg
RAB-042	42	1952	1875	600	530	569	50,0 kg

Description

The 19" racks of the new RAB series were particularly developed for the professional application in PA and sound systems. They are outstandingly manufactured and correspond in the reference of assembly dimensions and protection class to the current standards.

The cabinets serve as a placement of devices, module carriers, modules as well as accessories of the 19" systems compliant to DIN 41494.

Please consider the following features:

- The extremely stable frame construction consists of welded steel sheet. The housing is completely powder-coated and supplied in the RAL colour 7035.
- For all models of the RAB series a plexiglass door is available, which can be locked due to two cylinder locks, in the scope of supply.
- An optimal ventilation of the system is ensured with the optional active fan panel RFF-200. Two high performance 15 W filter fans provide the necessary air interchange during overheating.
- The use of the base plate (RBP-100), lockable by a sliding mechanism, ensures a dust free draft of air. The cable harness can be comfortably led outside through the foam material catch.
- With heavy rackmount devices the use of a pair of RGL-525 slide rails is recommended.
- For devices that do not have a 19" design (HIFI design) a wide range of 19" accessories such as shelves, sliding trays, drawers, blank panels, etc. is available. See "19" accessories" section in this catalogue.

19"-accessory parts

The two-way fan panel, particularly developed for this cabinet, is installed at the cabinet rear side. The current supply is made by 230 V mains.



Van panel **RFF-200**

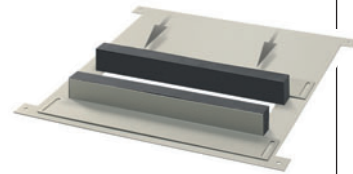
Thermostat controlled with a control range of 0-60°C. The closing contact activates the fan panel RFF-200 when achieving the critical temperature.

Thermostat for top hat rail mounting **RTC-200**

The set includes 4 levelling feet for the 19" cabinets of the RAB series which serve to compensate uneven floors.

Levelling feet **RJF-300**

The base plate RBP-100 is lockable and prevents the penetration of dust and dirt particles. Cables can be led out tidily.



Base plate **RBP-100**

This extremely stable set of castor bases includes 2 fixed castors and 2 swivel castors with brakes (400 kg max. load).

Castor base set **RDR-350**

With heavy rackmount devices the use of a pair of RGL-525 sliding rails is recommended.

Sliding rails **RGL-525**