

# SONY®

## Camera Control Unit **CCU-D50/D50P** SDI Camera Adaptor **CA-D50**



*Providing an extremely cost-effective,  
end-to-end digital camera system solution*

### CCU-D50<sup>1</sup> Camera Control Unit

- Interfaces with Sony DXC-D35 Series digital cameras<sup>2</sup> via its associated CA-D50 Camera Adaptor.
- The output of the CA-D50 Camera Adaptor is transferred to the CCU-D50 Camera Control Unit as a component digital SDI<sup>3</sup> signal via a Sony CCZ-A 26-pin cable up to 75 m long. By using a Sony CCZ-AD 26-pin cable, lengths up to 150 m can be achieved. Using this digital SDI connection allows virtually degradation-free transmission from the camera to the CCU.
- The distance between the CA-D50 Camera Adaptor and CCU-D50 Camera Control Unit can be extended to a maximum 200 m by providing a separate low loss coaxial video cable to carry the SDI signal between the two units.
- Switchable mode to accept analog component/VBS signals from DVCAM<sup>®</sup> camcorders equipped with a 26-pin interface. Maximum cable length from the camcorder to the CCU-D50 is 300 m<sup>4</sup>.
- Outputs analog composite and one of the following: component digital SDI, analog component (Y/R-Y/B-Y or RGB), or S-video<sup>5</sup>.
- Flexible intercom connectivity allows the interfacing of 2-wire or 4-wire systems to be selected.

- Green tally indication included for use in mid to large-scale camera operations.

<sup>1</sup> In the following text, 'CCU-D50' refers to both the CCU-D50 (NTSC model) and the CCU-D50P (PAL model).

<sup>2</sup> An upgrade is required for all DXC-D30 Series cameras. DXC-D35 cameras with serial numbers earlier than 110031 and DXC-D35WS cameras with serial numbers earlier than 100395 require a software change. For further information please contact Sony customer support (POSC) at 1-800-883-6817.

<sup>3</sup> Embedded audio is not supported.

<sup>4</sup> The distance between the camcorder and the CCU-D50 may vary depending on system requirements.

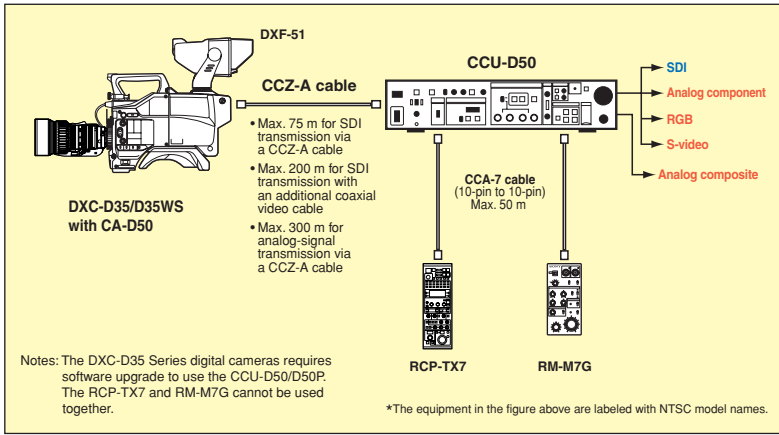
<sup>5</sup> Available output signals depend on the connected camera or camcorder.

### CA-D50 Camera Adaptor

- Designed for use with the CCU-D50 Camera Control Unit.
- Dockable to Sony DXC cameras that employ the 76-pin digital connector.
- Interfaces with 26-pin equipped Sony portable VTRs.
- Interfaces with the BKP-L551 Battery Adaptor with the appropriate service part\*.

\* Please contact your nearest Sony office.

## System Configuration



## Specifications

### CCU-D50/D50P

	CCU-D50	CCU-D50P
<b>Input connectors</b>		
GEN LOCK	BNC type, loop-through, VBS or BBS, 1.0 Vp-p, 75 Ω	
SDI	BNC type, 270 Mb/s, 0.8 Vp-p, 75 Ω	
RETURN VIDEO	BNC type, loop-through, 1.0 Vp-p, 75 Ω	
PROMPTER VIDEO	BNC type, loop-through, 1.0 Vp-p, 75 Ω	
<b>Output connectors</b>		
VBS (1, 2)	BNC type, VBS, 1.0 Vp-p, 75 Ω	
Y/R-Y/B-Y	BNC type, Y: 1.0 Vp-p, 75 Ω, R-Y/B-Y: 0.700 Vp-p, 75 Ω	BNC type, Y: 1.0 Vp-p, 75 Ω, R-Y/B-Y: 0.525 Vp-p, 75 Ω
Y/C	BNC type, Y: 1.0 Vp-p, 75 Ω, C: 0.286 Vp-p, 75 Ω	
R/G/B	BNC type, 0.7 Vp-p, 75 Ω	
SYNC	BNC type, 0.3 Vp-p, 75 Ω	
SDI (1, 2)	BNC type, 270 Mb/s, 0.8 Vp-p, 75 Ω	
S-VIDEO	DIN 4-pin, Y: 1.0 Vp-p, 75 Ω, C: 0.286 Vp-p, 75 Ω	
MONITOR	BNC type, VBS, 1.0 Vp-p, 75 Ω	
MIC	XLR 3-pin, 600 Ω	
<b>Camera control input/output connectors</b>		
CAMERA	Sony Z-type 26-pin	
INTERCOM/TALLY	D-sub 15-pin, 4W/2W selectable, R/G TALLY, contact	
REMOTE	10-pin	
<b>General</b>		
Power requirements	AC 120 V, 50/60 Hz	AC 200/240 V, 50/60 Hz
Power consumption	Approx. 1.7 A	Approx. 0.8 A
Operating temperature	+41 °F to +104 °F (+5 °C to +40 °C)	
Storage temperature	-4 °F to +131 °F (-20 °C to +55 °C)	
Dimensions	16 3/4 x 3 1/2 x 11 1/4 inches (424 (W) x 88 (H) x 283 (D) mm)	
Weight	13 lb 14 oz (6.3 kg)	
Supplied accessories	AC power cord (x 1), rack mount adaptor (x 2), rack mount screw (x 4), tally indication segment (x 1), operation manual (x 1)	

### Signals transferred to/output from the CCU-D50/D50P

Camera/Camcorder	Signals transferred to/output from the CCU
DXC-D35/D35P/D35WS/D35WSP	VBS and one of the following: SDI, Y/R-Y/B-Y, RGB, Y/C
DSR-370/370P	Y/R-Y/B-Y and VBS
DSR-570WS/570WSP	

### CCU-D50/D50P Rear Panel



## Peripheral Equipment

### RCP-TX7 Remote Control Panel

- Provides full\* camera control functions to cover extremely sophisticated operations.

\*When connecting a camera/CA-D50 to the CCU-D50.

### RM-M7G Remote Control Unit

- Compact and lightweight handheld unit intended for basic camera control operations.

### CCZ-A cables (26-pin to 26-pin)

- Six types of cable lengths available:

CCZ-A2; 6.6 feet (2.0 m)	CCZ-A5; 16.4 feet (5.0 m)
CCZ-A10; 32.8 feet (10.0 m)	CCZ-A25; 82.0 feet (25.0 m)
CCZ-A50; 164.0 feet (50.0 m)	CCZ-A100; 328.1 feet (100.0 m)

### CCZZ-1E Extension Connector (26-pin to 26-pin)

- Extension connector for CCZ-A cable interconnection.

### CCZZ-1B Bulk-head connector (26-pin to 26-pin)

- Wall mountable type connector for CCZ-A cable interconnection.

### CA-D50

	CA-D50 Camera Adaptor
<b>Input/Output connectors</b>	
Camera interface	Pro 76-pin DIGITAL
CCU/VTR/CMA	Sony Z-type 26-pin
SDI OUT	BNC type, 270 Mb/s, 0.8 Vp-p, 75 Ω
GENLOCK/PROMPTER OUT	BNC type, 1.0 Vp-p, 75 Ω
EARPHONE	Mini jack
INTERCOM	Mini intercom jack
DC IN	XLR-4-pin, 10.5 to 17.0 V
<b>General</b>	
Power requirements	DC 12 V
Power consumption	Approx. 3.8 W
Operating temperature	+14 °F to +113 °F (-10 °C to +45 °C)
Storage temperature	-4 °F to +131 °F (-20 °C to +55 °C)
Dimensions	7 1/4 x 4 1/2 x 6 5/8 inches (113 (W) x 183 (H) x 168 (D) mm)
Weight	2 lb 7 oz (1.1 kg)
Supplied accessory	Operation manual (x 1)

### CA-D50 Rear



# SONY

Sony Electronics Inc.  
One Sony Drive  
Park Ridge, NJ 07656  
www.sony.com/professional

V-2144  
MK7815V2IW02JUN

© 2002 Sony Corporation. All rights reserved.  
Reproduction in whole or in part without written permission is prohibited.  
Features, design and specifications are subject to change without notice.  
All non-metric weights and measures are approximate.  
Sony and DVCAM are trademarks of Sony.

Printed in USA (7/02)