

SONY®

NTSC/PAL

3CCD Digital Camcorder

DVCAM™

DSR-400/400P

DSR-450WS/450WSP



F o r

P r o f e s s i o n a l

R e s u l t s

Adding a New Level of Robustness to DVCAM Acquisition



DSR-450WS

DSR-400

Since introducing its first models, Sony has continuously enhanced its DVCAM™ Series of products, each offering state-of-the-art technology to meet specific customer needs in applications from video journalism and event videography to newsgathering and independent movie-making.

With DVCAM applications on the increase, Sony now introduces the DSR-400¹ and DSR-450WS² Digital Camcorders – the ultimate DVCAM camcorders. Packing the latest CCD and digital-processing technology into a newly designed, heavy-duty chassis, these camcorders provide the ruggedness, convenient functions and operational comfort that the DVCAM format has demonstrated in the field.

The cost-effective DSR-400 adopts three 2/3-inch type Power HAD™ EX CCDs with a 4:3 aspect ratio. It offers new exciting features such as a swing-out 2.5-inch³ type color LCD monitor, Memory Stick™ slot, user assignable function-buttons, and battery-remaining display function for added operational convenience and creative versatility.

Quality, Creativity, and – the DSR-400 and DSR-450WS



The widescreen DSR-450WS adopts three 2/3-inch type Power HAD EX CCDs with a 16:9 aspect ratio to shoot in both 16:9 and 4:3 aspect ratios. In addition to the DSR-400 features, the DSR-450WS further offers 24P (23.976P) progressive mode with 2-3 pull-down, selectable gamma with a film-like gamma setting, and a slow shutter feature – unique functions that enable even greater shooting creativity. The DSR-450WS also supports an 8-pin remote-control feature as standard and SDI output and analog composite input capabilities with the use of two optional boards. The DSR-400 and DSR-450WS herald a new level of quality, reliability, versatility, and convenience for the best results in DVCAM acquisition.

¹ DSR-400 refers to both the DSR-400 (NTSC model) and DSR-400P (PAL model).

² DSR-450WS refers to both the DSR-450WS (NTSC model) and DSR-450WSP (PAL model).

³ Viewable area measured diagonally.

DSR-400 & DSR-450WS Common Features

Two Models Designed to Meet the Specific Customer Needs in a Variety of Applications

Camera Features

2/3-Inch Type Power HAD EX CCD

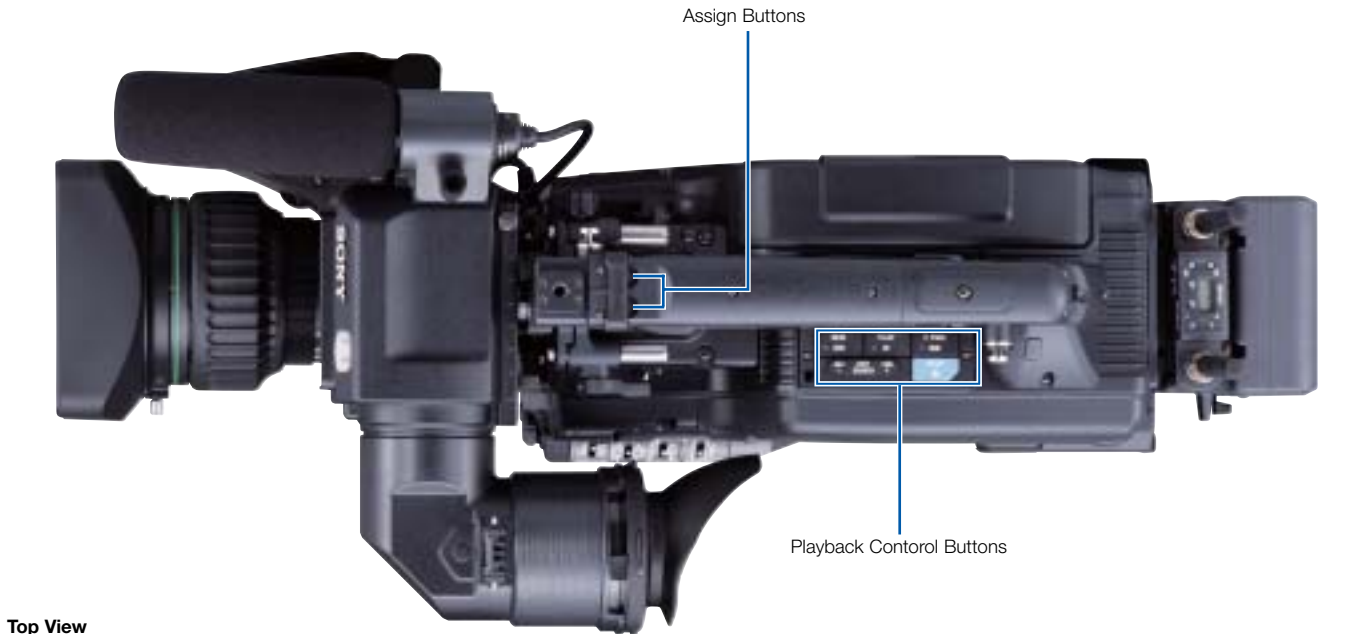
The DSR-400 and DSR-450WS are equipped with proven state-of-the-art three-chip 2/3-inch type Sony Power HAD EX CCDs. This CCD imager achieves a high sensitivity of F11, an excellent signal-to-noise ratio of 65 dB (DSR-400/450WS)/63 dB (DSR-400P/450WSP) and a remarkably low smear level of -140 dB (typical), allowing the DSR-400 and DSR-450WS to produce pictures of stunning quality.

12-Bit A/D Conversion

The DSR-400 and DSR-450WS incorporate a high-integrity 12-bit A/D conversion circuit so that images captured by the Power HAD EX CCDs are processed with great precision. This high-resolution A/D conversion allows the contrast to be reproduced faithfully in both mid-to-dark tone and bright areas of the picture.

Advanced Digital Signal Processing (ADSP)

A key to quality in DSP cameras is how many bits are used in their nonlinear process, such as gamma correction. The ADSP of the DSR-400 and DSR-450WS uses more than 30 bits in its nonlinear process, minimizing round-off errors to maintain the high quality of the Power HAD EX CCDs. The ADSP also enables highly sophisticated image controls, such as the multi-matrix function, triple skin tone detail control, and adaptive highlight control.



Top View



Rear Connector Panel for the DSR-400



Rear Connector Panel for the DSR-450WS

Recorder Features

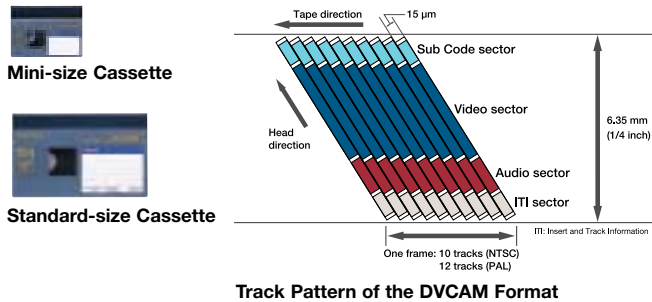
DVCAM/DV Selectable Recording

The VTR sections of both the DSR-400 and DSR-450WS use the Sony DVCAM format, providing the video and audio quality, and reliability necessary for professional use. For excellent picture quality, superb multi-generation capabilities, and excellent production flexibility, these camcorders feature 8-bit component digital recording, with a 5:1 compression ratio and a sampling rate of 4:1:1 (NTSC)/4:2:0 (PAL).

The DSR-400 and DSR-450WS can use both mini-size (PDVM Series) and standard-size (PDV Series) cassettes.

If you need a longer recording time, the DSR-400 and DSR-450WS can also record and playback DV format signals (SP mode only)⁴, providing a maximum recording time of 276 minutes when using the PDV-184 ME standard-size cassette.

⁴ The transition from cut to cut may not be smooth when recorded in DV (SP) format. In between scenes where the recording format is changed from DV to DVCAM, or vice versa, the transition may not be smooth either. This is a normal and expected phenomenon.



High-Quality Audio Recordings

Audio can be recorded in either 16- or 12-bit resolution. The recording format provides two channels in 16-bit mode and four channels in 12-bit mode. Two channels can be recorded in either 48 kHz/16-bit or 32 kHz/12-bit mode by the camcorder. If recordings are made on two channels in 32 kHz/12-bit mode, then another two channels are available for use with a studio VTR.

Digital Output to External Devices

The DSR-400 and DSR-450WS are equipped with a 6-pin i.LINK™⁵ interface (DV output only) for digital signal output. This enables recording to compatible DV and DVCAM VTRs using just one i.LINK cable, which simultaneously carries digital video/audio and control signals. Connect the DSR-400 or DSR-450WS to the Sony DSR-2000A/2000AP Studio VTR, for instance, and simple cut editing can be performed without signal deterioration. Or for backup recording connect to a Sony DSR-50/50P portable DVCAM recorder, and control its REC On/Off function remotely with the REC On/Off button of the DSR-400 or DSR-450WS.

⁵ i.LINK is a Sony trademark used only to designate that a product is equipped with an IEEE 1394 connector. Not all products with an i.LINK connector may communicate with each other. Please refer to the documentation that comes with any device having an i.LINK connector for information on compatibility, operating conditions, and proper connection.

Quick FF/REW Capabilities

The DSR-400 and DSR-450WS can fast-forward and rewind tapes at extremely high speeds. They can fast-forward and rewind the PDVM-40ME mini-size cassette in approximately 40 seconds, and the PDV-184 ME standard-size cassette in approximately 2 minutes and 30 seconds.



DSR-450WS with a PDV-184ME Cassette Inserted

Operational Convenience

Rugged and Ergonomic Design

The design of the DSR-400 and DSR-450WS is based on years of Sony experience in camera ergonomics, and provides high mobility, balance, and physical robustness. All switches and indicators, a viewfinder, and a swing-out LCD monitor are in the most logical places and are positioned for optimum functionality and ease of use. Rear-panel connectors are located well away from the battery pack, making it easy to connect cables. Operators will immediately feel at home with the DSR-400 and DSR-450WS, which take user comfort to new levels.

Compact, Lightweight and Low Power Consumption

The DSR-400 and DSR-450WS are designed to be very compact and lightweight, for a high level of mobility in the field. They weigh approximately 6.5 kg (14 lb 5 oz) including the DXF-801 viewfinder, microphone, BP-GL65 battery, mini-size DVCAM cassette and VCL-917BY lens (supplied with the DSR-400K/400PK package). With its new-generation LSI, these camcorders achieve a low power consumption of approximately 17 W (with the DC 12 V power supply, REC mode, viewfinder off and LCD monitor off).

User-friendly Menu Controls

The DSR-400 and DSR-450WS offer an easy-to-use menu system to facilitate detailed camera settings. Setup parameters are well organized in a two-layer menu system: a user menu and a sub menu. The user menu allows access only to the standard setup functions needed by the camera operator, and can be customized for fast access to the menus they use frequently. The sub menu makes all menus accessible, each of which is categorized into groups such as operation, paint, maintenance, file, and diagnosis. Menu pages can be displayed in the camcorder viewfinder and LCD monitor as well as on an external monitor screen via the monitor output, and the menu control system can be operated easily using a rotary switch on the camcorder.

Optical ND Filter and Electric CC Filter

Using the DSR-400 and DSR-450WS, optimum light and color control is easily achieved using an optical ND (Neutral Density) filter wheel and electronic Color Correction. The use of electronic Color Correction allows all filters in the filter wheel to be of the ND type, providing the operator with greater flexibility in depth-of-field and exposure control.

Battery-remaining Display

With a Sony Professional Info Battery, the remaining capacity is automatically detected and transmitted to the DSR-400 and DSR-450WS. The remaining capacity is indicated in the camcorder viewfinder and LCD monitor in 10% steps.

Intelligent Light System

An optional portable light (maximum 50 W) can be attached to the camcorder, using a standard lighting connector and specially designed short cable for operation from the camcorder battery. The light can be switched on and off manually, or automatically synchronized with the camcorder's REC start function.



2.5-inch Type*6 Color LCD Monitor

The DSR-400 and DSR-450WS include a swing-out color LCD monitor with a resolution of 214,000 pixels, which allows for viewing of the input source during recording, or checking the playback picture on location.



Status indications such as time code, two-channel audio level meters, and tape- and battery-remaining capacity can also be displayed. In addition, camera set-up menus can be displayed.

*6 Viewable area measured diagonally.

Supplied DXF-801 Viewfinder

The DXF-801 Viewfinder is a 1.5-inch*7 type black-and-white viewfinder supplied with the DSR-400 and DSR-450WS, and includes the following features:

- Automatic scan-size switching between 16:9 and 4:3 (DSR-450WS only)
- VF light (LED) – lights up the iris ring area of the lens for operation in dark conditions (high/low/off)
- Display switch – turns off character superimposition on the viewfinder
- Tally lamp levels (high/low/off)
- Vertical and horizontal detail level control via peaking potentiometer
- Two red REC tally lamps
- Diecast aluminum body
- Wide range of diopter adjustments

*7 Viewable area measured diagonally

Assignable Function

Functions frequently used in the field, such as markers, ATW, recording review, record start/stop, and turbo gain functions, can be assigned to four Assign Buttons (push buttons), allowing the operator to make rapid changes when working in the field.

Turbo Gain

The Turbo Gain function boosts the gain level up to +36 dB at the touch of an Assign Button. This makes it possible to shoot in extremely low-light conditions. The gain level of the Turbo Gain function is selectable.

Camera Adaptor for Wireless Microphone Receiver

The optional CA-WR855 is an adaptor to hold a Sony WRR-855 Wireless Microphone Receiver*8. It can be directly attached to the DSR-400 or DSR-450WS via a V-shoe attachment, providing a direct connection interface for audio/power. A Lithium Ion Battery Pack can also be attached to the rear panel of the CA-WR855 via a V-shoe attachment, allowing for easy battery replacement even when the WRR-855 is mounted. The DSR-400 and DSR-450WS can also accommodate the WRR-861 Wireless Microphone Receiver*9 using the A-8278-057-A Mounting Bracket (service part).

*8 The WRR-855 refers to both WRR-855A and WRR-855B.

*9 The WRR-861 refers to both WRR-861A and WRR-861B.

Adjustable Shoulder Pad

The position of the shoulder pad can be adjusted— either forwards or backwards without using a screwdriver – to provide operators with a comfortable and well-balanced camera.



Memory Stick System Stores Camera Setup Parameters

The DSR-400 and DSR-450WS incorporate the Sony Memory Stick system for the storage and recall of setup parameters. This is an easy, effective system for storing and recalling camera parameters for individual scenes, plus individual operators' camera-setup preferences including assignable button settings.



The Memory Stick media is an optional accessory.

Creative Versatility

TruEye Processor

The Sony TruEye™ processor is one of the most innovative features of Sony digital signal processing technology. This technology makes it possible to virtually eliminate hue distortion, particularly obvious in high light conditions that result from conventional RGB analog or digital processing. By processing the video signal data at three levels – brightness, hue, and saturation – similar to how the human eye works, the TruEye feature assists in the reproduction of natural skin tones.



Conventional Video Equipment



TruEye "Simulated images"

Adaptive Highlight Control

The DSR-400 and DSR-450WS provide multiple knee-points/slopes for superb overexposure control. The camcorder analyzes the highlight areas of a scene and automatically sets and optimizes multiple knee points/slopes accordingly.

This allows for the reproduction of extremely difficult images (such as an interior scene that includes a brightly sunlit window) with much more overexposure latitude. This function applies only to input video levels in excess of the knee point; the middle- and low-luminance parts of the video signal are unaffected by this control.

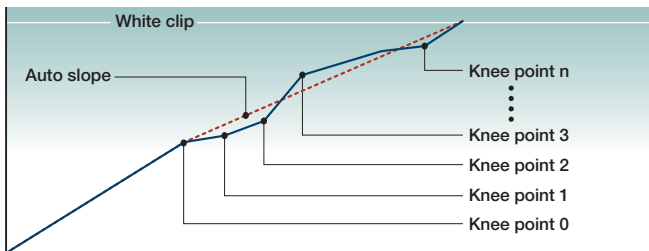


fig 5 Knee Curve Image

Triple Skin Tone Detail Control

The DSR-400 and DSR-450WS come equipped with a Triple Skin Tone Detail Control function, which allows for independent detail control over three specified colors. This enhances the capability of Skin Tone Detail correction - enabling one color selection to be used for reducing the detail level of skin color, and two other selections to be used for either increasing or decreasing the detail level of two other objects.

Electronic Soft Focus

The Electronic Soft Focus included in the camcorder applies an effect similar to using an optical soft-focus filter – but in a much more convenient way. Electronic Soft Focus uses the detail signal to reduce, rather than increase, the sharpness of the picture. By subtracting the detail signal from the original signal (as opposed to adding it as in conventional image enhancement), Electronic Soft Focus is able to provide a picture that is “softer” than that achieved when detail is switched off completely. Electronic Soft Focus can be used in conjunction with Skin Tone Detail to change only the sharpness within a specific color or hue range.

Variable Black Gamma Range

The Variable Black Gamma Range function allows for fine adjustment of tonal reproduction in the shadow area. This feature can help to bring out details from the dark parts of the picture without affecting mid-tones while maintaining the absolute black level. The variable range is LOW, low MID, High MID and HIGH.

Auto Tracing White Balance (ATW)

The DSR-400 and DSR-450WS offer an Auto Tracing White Balance function that automatically adjusts the camera's color temperature in real time with a change of the lighting. This is especially useful when a shoot is performed across different environments, such as from indoors to outdoors.

Multi-matrix Function

The Multi-matrix function enables color adjustments to be applied over a color and/or hue range as specified by the operator. The color spectrum is divided into 16 areas of adjustment, where the hue and/or saturation of each area can be adjusted. This provides interesting in-camera color effects – similar to secondary color correction.



Multi-matrix ON "Simulated images"

Color Temperature Control

It is possible to dial in the required color temperature of the camera. The overall color balance of the picture can be changed to make it warmer or colder. This feature can be used very creatively, particularly in scenes with mixed color lighting.

Interval Recording

Interval recording is a useful function, which intermittently records signals at pre-determined intervals, ideal for recording over long periods.

Other Convenient Functions

To provide the flexibility required for professional shooting, the DSR-400 and DSR-450WS offer a variety of convenient functions:

- Programmable gain (-3/0/3/6/9/12/18/24/30/36 dB)
- Dual zebra (70 IRE to 90 IRE or more than 100 IRE)
- Marker (center, safety zone, 4:3/13:9/14:9 aspect (DSR-450WS only))
- Edit search – for easy access to edit points
- Stereo audio output (pin jacks)

DSR-450WS Additional Features

Enabling Even Greater Shooting Creativity

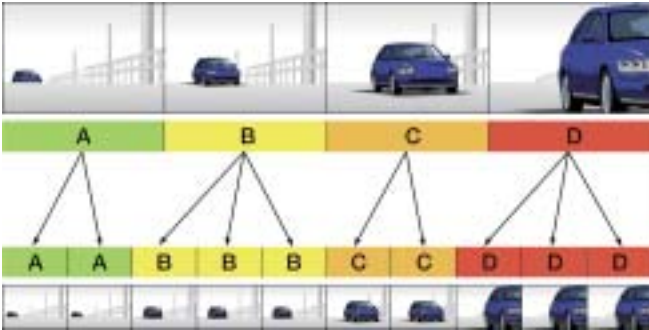
Switchable Aspect Ratio

Wide-aspect CCDs and digital signal processing allow the DSR-450WS to operate in both widescreen (16:9) and standard (4:3) aspect ratio modes. When shooting in 16:9 mode, it is also possible to display both 16:9 and 4:3 safety zones in the supplied DXF-801 viewfinder.

Film-like Images with Progressive Mode

Incorporating Sony Power HAD EX CCDs, the DSR-450WS (NTSC model) and DSR-450WSP (PAL model) generate progressive images of 29.97P and 25P respectively, delivering outstanding clarity as well as a cinematic look. In addition, the DSR-450WS (NTSC model) can produce 23.976P images, offering film-like motion effects. Images captured in 23.976P scanning mode in the camera head are 2-3 pull-down and recorded on tape at 59.94i field rate.

Camera Motion: 23.976P



VTR Recording: 59.94i

Selectable Gamma Table Including Film-Like Gamma

A selectable gamma table is provided to easily give a specific look to a picture by selecting from multiple fixed gamma patterns including so-called film-like gamma. Five patterns of film-like gamma and six patterns of standard gamma can be selected.

Slow Shutter

In addition to Turbo Gain, the DSR-450WS features another convenient function for shooting in low-light conditions. Slow Shutter allows the operator to use shutter speeds longer than the frame rate.

- NTSC: 1/30, 1/15, 1/10, 1/7.5, 1/6, 1/4.3, 1/3.8, and 1/1.9 seconds
- PAL: 1/25, 1/12.5, 1/8.3, 1/6.3, 1/5, 1/4.2, 1/3.6, 1/3.1 and 1/1.6 seconds
(1 to 8 and 16 frame accumulation)

The Slow Shutter can be used either alone or together with an electric gain-up function depending on the shooting situation or the operator's preferences.

Versatile Interfaces

The DSR-450WS provides an analog composite output as standard, with an SDI output board (the CBK-SD01) available as a plug-in option. An optional composite input board (the CBK-SC01) is also available for pool feed applications. These optional boards install within the camcorder chassis to eliminate the need for an external camera adaptor unit, maintaining the compactness and balance of the camcorder.

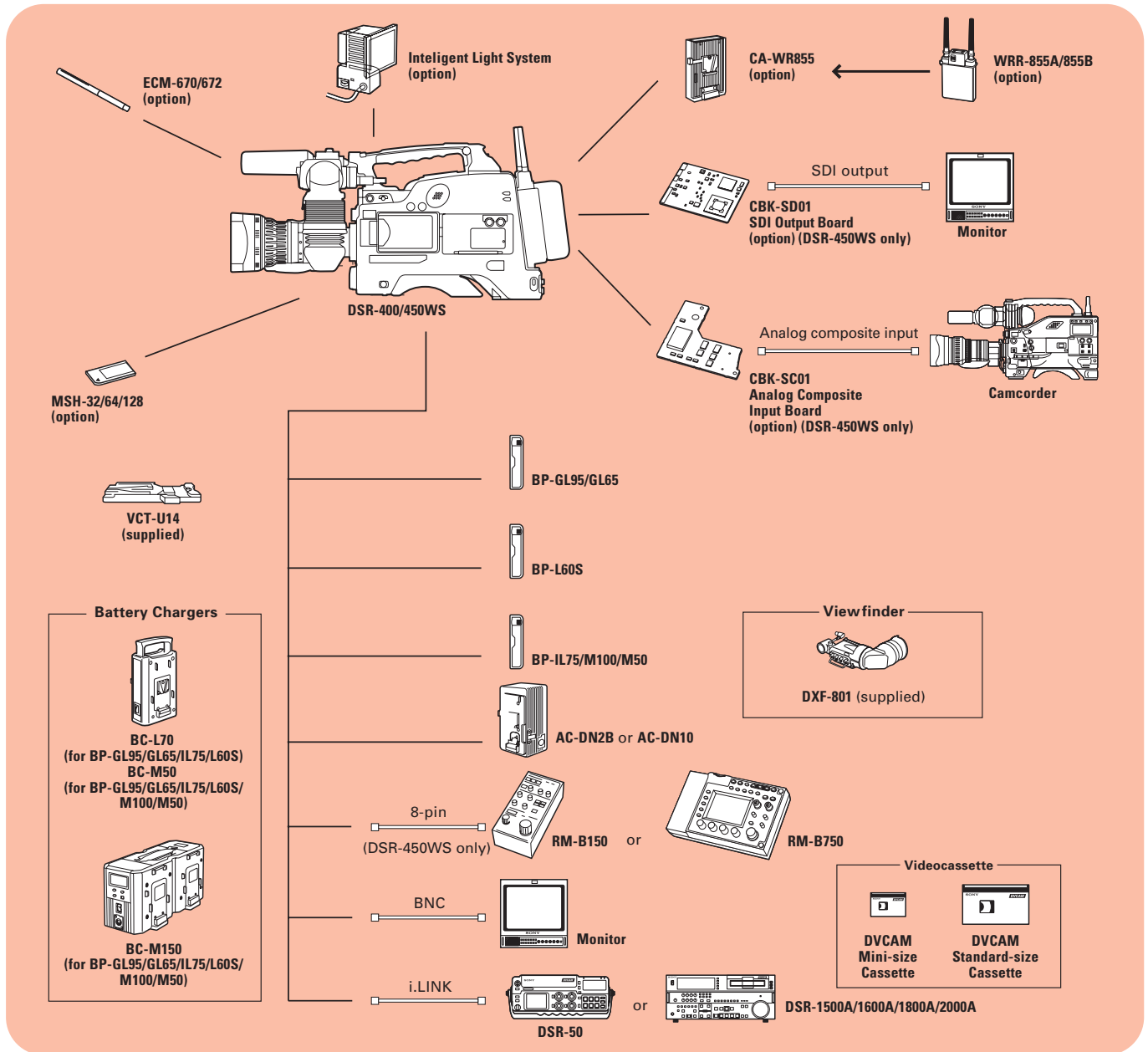
Camera Remote Control via Sony RM-B150/B750

Camera settings and basic VTR functions can be remotely controlled using an optional RM-B150 or RM-B750 Remote Control Unit via its 8-pin remote connector.

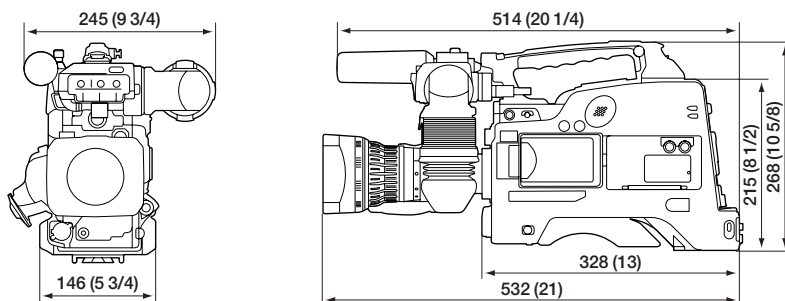


DSR-450WS with the RM-B750

System Diagram



Dimensions



The zoom lens (VCL-917BY) in the drawing is supplied with the DSR-400K/400PK only.

unit: mm (inch)

Product Configuration

	DSR-400L (NTSC) or DSR-400PL (PAL)	DSR-400K (NTSC) or DSR-400PK (PAL)	DSR-450WSL (NTSC) or DSR-450WSPL (PAL)
DVCAM camcorder (4:3 model)	●	●	–
DVCAM camcorder (4:3/16:9 model)	–	–	●
DXF-801 Viewfinder (with Microphone Holder)	●	●	●
VCT-U14 Tripod Adaptor	●	●	●
External Microphone	●	●	●
Shoulder Strap	●	●	●
VCL-917BY Zoom Lens	–	●	–

Optional Accessories

 CBK-SC01 Analog Composite Input Board	 CBK-SD01 SDI Output Board	 CA-WR855 Camera Adaptor for WRR-855A/855B	 WRR-855A/855B Wireless Microphone Receiver	 WRR-861A/861B Wireless Microphone Receiver (requires A-8278-057-A bracket)
 ECM-670/672 Electret Condenser Microphone	 DXF-51 5-inch* type B/W Viewfinder (requires optional accessory shoe kit A-8274- 968B)	 RM-B750 Remote Control Unit	 RM-B150 Remote Control Unit	 BP-GL95/GL65 Lithium Ion Battery Pack
 BC-L70 Battery Charger	 BC-M150 Battery Charger	 AC-DN10 AC Adaptor	 AC-DN2B AC Adaptor	 LC-DS300SFT Carrying Case (Soft)
 LCR-1 Rain Cover	 A20x8.6BRM-SD 2/3-inch Type Format 20x Lens from Fujinon	 YJ19x9B KRS 2/3-inch Type Format 19x Lens from Canon	 CCFD-3L i.LINK Cable (6-pin with lock** to 4-pin) CCF-3L i.LINK Cable (6-pin with lock** to 6-pin)	 MSH-32/64/128 Recording Media Memory Stick

* Viewable area measured diagonally.

** The connector on one end of the cable has a lock mechanism, and is connected to an i.LINK connector with the same lock mechanism.

Specifications

GENERAL	DSR-400	DSR-400P	DSR-450WS	DSR-450WSP
Power requirements	DC 12 V (11 to 17 V)			
Power consumption	Approx. 17 W (with DC 12 V power supply, REC mode, viewfinder off, LCD monitor off)			
Operating temperature	0 to +40 °C (+32 to +104 °F)			
Storage temperature	-20 to +60 °C (-4 to +140 °F)			
Operating humidity	25 to 85%			
Mass	Approx. 6.5 kg (14 lb 5 oz) (with viewfinder, microphone, BP-GL65 battery, mini-size DVCAM cassette, VCL-917BY lens)			
Continuous operating time	Approx. 300 min. with BP-GL95 battery, REC mode			
SIGNAL INPUTS/OUTPUTS				
Video inputs	Analog composite Genlock video	—	BNC, 1.0 Vp-p, 75 Ω	BNC, 1.0 Vp-p, 75 Ω (with the CBK-SC01)
Audio input (CH-1/2)	XLR-3 (2), female, -60 dBu/+4 dBu, 10 kΩ, balanced			
Microphone input	XLR-3, female, -60 dBu			
Time code input	BNC, 0.5 to 18 Vp-p, 10 kΩ			
Video outputs	SDI i.LINK Analog composite	—	i.LINK, 6-pin IEEE 1394-based	BNC, 0.8 Vp-p, 75 Ω (with the CBK-SD01)
Audio output (CH-1/2)	Pin-jacks (2), -10dBu, 47 kΩ			
Time code output	BNC, 1.0 Vp-p, 75 Ω			
Monitor output	BNC, 1.0 Vp-p, 75 Ω			
Earphone output	Mini-jack			
OTHER INPUTS/OUTPUTS				
Lens	12-pin			
VF	20-pin			
Remote	—	8-pin		
Wireless microphone	7-pin			
Light	2-pin, DC 12 V, max. 50 W			
DC input	XLR-4-pin, male, DC 11 to 17 V			
DC output	4-pin (for wireless microphone receiver), DC 12 V (max. 0.2 A)			
Battery terminal	5-pin			
CAMERA PERFORMANCE				
Pickup device	3-chip 2/3-inch type Power HAD EX CCD			
Aspect ratio	4:3		16:9/4:3 switchable	
Total picture elements (H x V)	1038 x 1008	1038 x 1188	1038 x 1008	1038 x 1188
Effective picture elements (H x V)	980 x 988	980 x 1064	980 x 988	980 x 1064
Spectral system	F1.4 prism (with quartz filter)			
Built-in filters	1: Clear, 2: 1/4ND, 3: 1/16ND, 4: 1/64ND			
Lens mount	2/3-inch type Sony bayonet mount			
Electrical characteristics	NTSC color system	PAL color system	NTSC color system	PAL color system
Scan format	525/59.94i	625/50i	525/59.94i, 525/29.97P, 525/23.976P	625/50i, 625/25P
Sync system	Internal and External with the VBS or BS signal			
A/D conversion	12 bits			
Sensitivity	F11 (typical) (2000 lx, 89.9% reflectance)			
Minimum illumination	0.5 lx (F1.4 lens, +36 dB gain, shutter off)		0.5 lx (F1.4 lens, +36 dB gain, shutter off)	
	0.03 lx (with slow shutter mode at 16 frames accumulation)			
Smear level	-140 dB (typical)			
Video S/N ratio	65 dB (typical)	63 dB (typical)	65 dB (typical)	63 dB (typical)
Horizontal resolution	920 TV lines		850 TV lines (4:3 mode), 800 TV lines (16:9 mode)	
Vertical resolution	450 TV lines (with EVS), 400 TV lines (without EVS)	480 TV lines (with EVS), 530 TV lines (without EVS)	450 TV lines (with EVS) and 400 TV lines (without EVS) at 525/59.94i mode 485 TV lines at 525/29.97P and 525/23.976P modes	480 TV lines (with EVS) and 530 TV lines (without EVS) at 625/50i mode 575 TV lines at 625/25P mode
Shutter speed	1/100, 1/125, 1/250, 1/500, 1/1000, 1/2000 s	1/60, 1/125, 1/250, 1/500, 1/1000, 1/2000 s	1/100, 1/125, 1/250, 1/500, 1/1000, 1/2000 s at 525/59.94i mode 1/40, 1/60, 1/120, 1/125, 1/250, 1/500, 1/1000, 1/2000 s at 525/29.97P mode 1/32, 1/48, 1/96, 1/125, 1/250, 1/500, 1/1000, 1/2000 s at 525/23.976P mode	1/60, 1/125, 1/250, 1/500, 1/1000, 1/2000 s at 625/50i mode 1/33, 1/50, 1/100, 1/125, 1/250, 1/500, 1/1000, 1/2000 s at 625/25P mode
ECS	60 to 6000 Hz	50 to 6000 Hz	60 to 6000 Hz at 525/59.94i mode 30 to 7000 Hz at 525/29.97P mode 24 to 5000 Hz at 525/23.976P mode	50 to 6000 Hz at 625/50i mode 25 to 6000 Hz at 625/25P mode
Slow shutter	—	—	1/30, 1/15, 1/10, 1/7.5, 1/6, 1/4.3, 1/3.8, 1/1.9 s (1 to 8, 16 frames)	1/25, 1/12.5, 1/8.3, 1/6.3, 1/5, 1/4.2, 1/3.6, 1/3.1, 1/1.6 s (1 to 8, 16 frames)
Gain selection	-3, 0, 3, 6, 9, 12, 18, 24, 30, 36 dB (for GAIN LOW, GAIN MID, GAIN HIGH and GAIN TURBO positions)			
VIDEO PERFORMANCE				
Recording format	Video Audio	DVCAM/DV (SP) (25 Mb/s) 2 ch/16-bit/48 kHz, 2 ch/12-bit/32 kHz		
Record/playback time	DVCAM: 184 min (with the PDV-184ME), DV SP: 276 min (with the PDV-184ME)			
Fast forward time	Approx. 45 s (with the PDVM-40ME), approx. 2 min 30 s (with the PDV-184ME)			
Rewind time	Approx. 45 s (with the PDVM-40ME), approx. 2 min 30 s (with the PDV-184ME)			
Recommended recording media	PDV-184ME/124ME/94ME/64ME/34ME/184N/124N/94N/64N/34N, PDVM-184ME/124ME/94ME/64ME/34ME/184N/124N/94N/64N/34N			
Sampling frequency	Y: 13.5 MHz, R-Y/B-Y: 3.375 MHz	Y: 13.5 MHz, R-Y/B-Y: 6.75 MHz	Y: 13.5 MHz, R-Y/B-Y: 3.375 MHz	Y: 13.5 MHz, R-Y/B-Y: 6.75 MHz
Quantization	8 bits			
AUDIO PERFORMANCE				
Frequency response	48 kHz: 20 Hz to 20 kHz +0.5/-1.0 dB, 32 kHz: 20 Hz to 14.5 kHz +0.5/-1.0 dB			
Dynamic range	More than 80 dB			
Distortion (at 1 kHz, emphasis ON, reference level)	Less than 0.12% (at 1 kHz, reference level, 48 kHz)			
BUILT-IN LCD MONITOR				
	2.5-inch type color LCD monitor, resolution: 214,000 (964 x 222) pixels			
VIEWFINDER				
CRT	1.5-inch type monochrome			
Indicators	REC TALLY (2), TAKE TALLY, BATT, SHUTTER, GAIN UP			
Horizontal resolution	600 TV lines			
MICROPHONE				
	Electret condenser microphone (detachable)			

VCL-917FY LENS (for the DSR-400K/400PK package)	
Mass	Approx. 1.45 kg (3 lb 3 oz) (including a lens hood)
Dimensions (W x H x D)	139.8 x 99.5 x 218.9 mm (5 5/8 x 4 x 8 5/8 inches)
Zoom ratio	17:1
Focal length	9 to 155 mm (3/8 to 6 1/8 inches)
Zoom control	Servo/Manual switchable
Iris control	Servo/Manual switchable
Angle of view (H x V)	Wide: 815 x 611 mm (32 1/8 x 24 1/8 inches) Tele: 47 x 36 mm (1 7/8 x 1 7/16 inches)
F-number	F1.9
Minimum object distance	0.9 m (35 1/2 inches)



Lead-free solder is used for soldering all the parts including circuit component electrodes.
Halogenated flame retardants are not used in the printed wiring boards.(100%)

Distributed by

© 2005 Sony Corporation. All rights reserved.

Reproduction in whole or in part without written permission is prohibited.

Features and specifications are subject to change without notice.

All non-metric weights and measurements are approximate.

Some images in this brochure are simulated.

Sony, DVCAM, Power HAD, Memory Stick, i.LINK and TruEye are trademarks of Sony Corporation.