

F-780



F-720



F-115B



F-112

F Series

Dynamic Microphones

F-780

F-720

F-115B

F-112

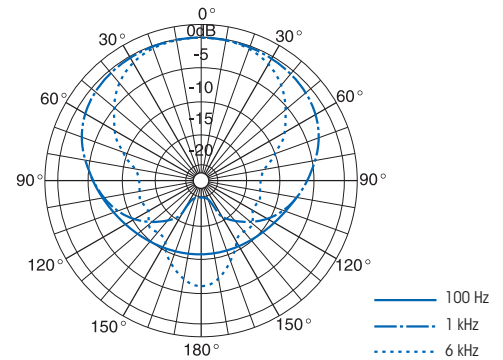
F-780

Uni-directional Dynamic Microphone

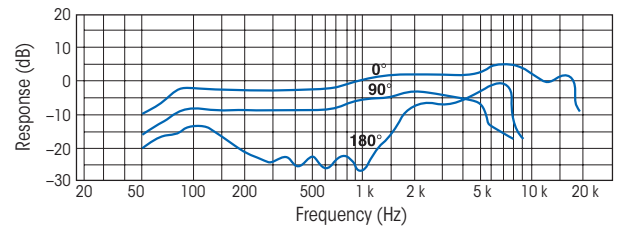


- For critical vocal recording, professional sound reinforcement and broadcast production
- Rugged capsule in a resilient body structure
- Special AlNiCo magnet provides excellent sensitivity, powerful and accurate sound reproduction
- Edgewise winding voice coil with lightweight CCAW (Copper Clad Aluminum Wire) provides powerful, crisp, clean sound in the mid and high frequency range

Directivity Characteristics



Frequency Response Characteristics



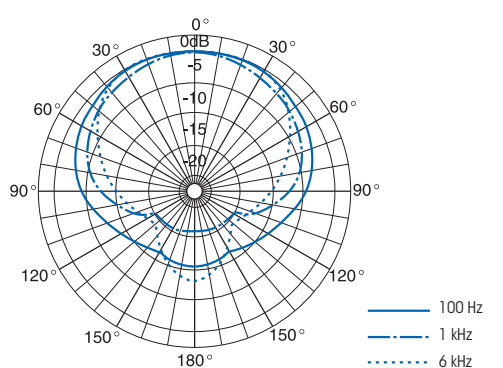
F-720

Uni-directional Dynamic Microphone

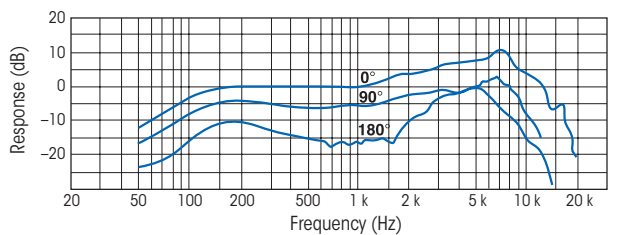


- For general presentation and speech use in schools, halls, churches and other industrial applications
- Virtually impervious to handling noise and vibration because of efficient, one-piece capsule shock mount
- Convenient TALK switch to turn the microphone on and off

Directivity Characteristics



Frequency Response Characteristics



F-115B

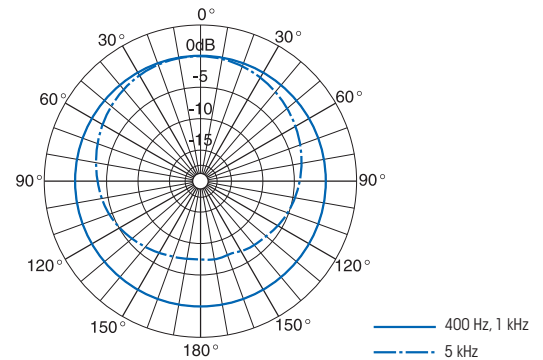
Omni-directional Dynamic Microphone



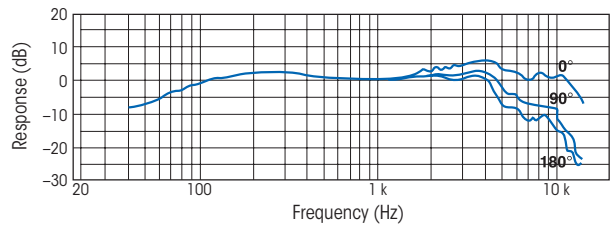
- Ideal for sound pick-up, especially under adverse weather conditions such as rain or heavy wind thanks to its water-shedding, double-layered windscreen
- Newly developed omni-directional microphone capsule for clear sound pick-up from any direction
- Metal body offers a high level of durability to withstand severe conditions encountered in demanding sound pick-up environments, and a special rubber at the core of the microphone reduces shocks and vibrations
- The directly connected microphone cable is water-resistant - limiting deterioration of internal parts
- Ideal for security and observation applications in various outdoor environments



Directivity Characteristics



Frequency Response Characteristics



F-115B, water-resistant dynamic microphone
(Microphone holder is an optional accessory)

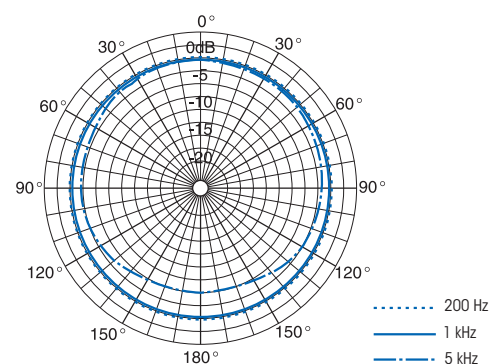
F-112

Omni-directional Dynamic Microphone

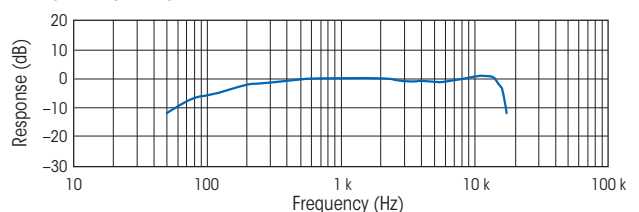


- Ideal for field production and news gathering application, especially for interviews
- Newly-developed omni-directional microphone capsule for clear voice pick-up from any direction
- Metal body offers a high level of durability to withstand severe conditions encountered in demanding sound pick-up environments
- Robust brass connector for repeating cable connections
- Optimized balance when combined with the wireless plug-on transmitter included in the Sony UWP-V6 package (UTX-P1), WRT-8P, and DWT-P01

Directivity Characteristics



Frequency Response Characteristics



SPECIFICATIONS

	F-780	F-720	F-115B	F-112
Capsule type	Dynamic			
Frequency response	50 Hz to 18 kHz	50 Hz to 13 kHz	40 Hz to 12 kHz	60 Hz to 18 kHz
Directivity	Uni-directional		Omni-directional	
Sensitivity (0 dB=1 V/Pa at 1 kHz)	-53 dB \pm 3 dB	-57 dB \pm 3 dB	-54 dB \pm 2 dB	-52 dB \pm 3 dB
Output impedance	400 Ω \pm 20%	500 Ω \pm 20%	400 Ω \pm 20%	
Induction noise from an external magnetic field	Less than 5 dB SPL/ 1 x 10 ⁻⁷ T (1 mG)	Less than 10 dB SPL/ 1 x 10 ⁻⁷ T (1 mG)	Less than 5 dB SPL/1 x 10 ⁻⁷ T (1 mG)	
Wind noise	Less than 50 dB SPL	Less than 55 dB SPL	Less than 40 dB SPL	Less than 50 dB SPL
Connector	XLR-3-12C type			
Dimensions	ϕ 2 1/8 x 6 1/2 inches (ϕ 51 x 165 mm)	ϕ 1 1/2 x 6 3/8 inches (ϕ 37.6 x 160 mm)	ϕ 2 1/2 x 8 inches (ϕ 62 x 203 mm)	ϕ 1 11/16 x 8 3/4 inches (ϕ 41.4 x 220 mm)
Weight	10.2 oz (290 g)	9.2 oz (260 g)	11.6 oz (330 g)	7.6 oz (215 g)
Supplied accessories	Microphone holder (PF 1/2) (x1), stand adaptor (PF 1/2 to NS 5/8, PF 1/2 to W 3/8) (x1 each), Operating instructions (x1)		Operating instructions (x1)	

*1 Pa=1x10⁻⁵ bar

*0 dB SPL=2x10⁻⁵ Pa

SONY

Sony Electronics Inc.
1 Sony Drive
Park Ridge, NJ 07656
[click: sony.com/proaudio](http://sony.com/proaudio)

A-1156-A (MK10394V2)

©2009 Sony Electronics Inc. All rights reserved.
Reproduction in whole or in part without written permissions is prohibited.
Features, design, and specifications are subject to change without notice.
All non-metric weights and measurements are approximate.
Sony is a trademark of Sony.

Printed in USA (3/09)