



## HD output for monitoring

HDMI/Component/Composite video outputs on the NEX-FS700 and the AUX OUT of the AXS-R5 can be used for monitoring purposes. In order to achieve accurate monitoring of the wide dynamic range of RAW recording, Sony has added S-Log2 settings onto the picture profile of the NEX-FS700 (Ver.3.00).

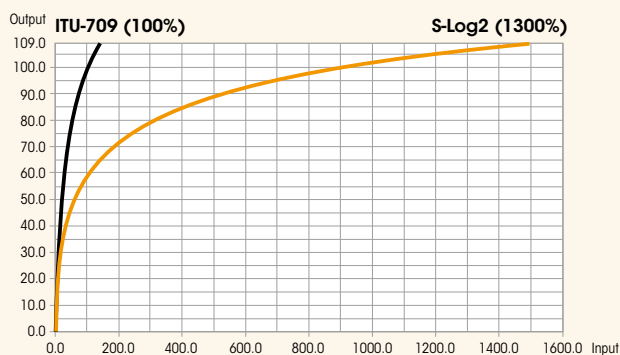
\* The gamma setting cannot be set individually for each video out/LCD panel/AVCHD recording.

\* HD output or monitoring on FS700's LCD are 16:9 mode only.

\* AUX OUT of the AXS-R5 is disabled during 2K recording mode. (It is able to output 2K playback mode.)

### FS700 firmware version 3.00 provides below functions (may require paid upgrade by service center)

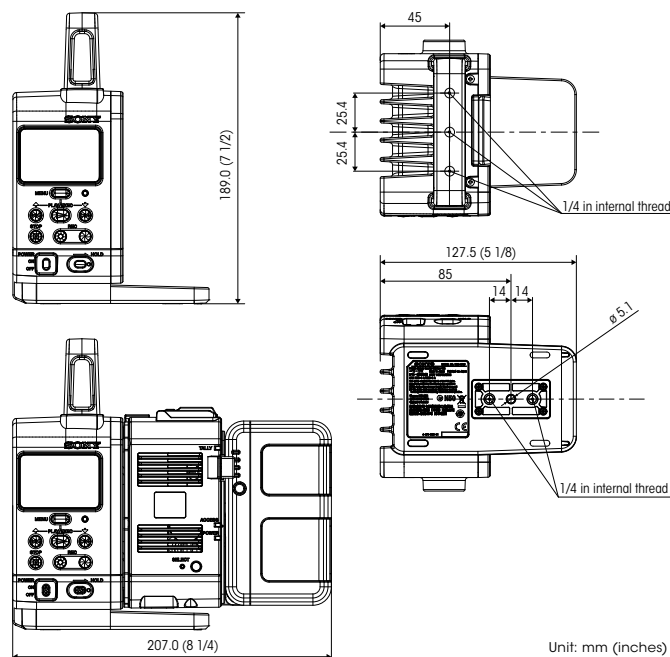
- RAW shooting mode (Output RAW data via SDI)
  - 4K (4096 × 2160) and 2K (4098 × 1080) / 23.98p, 25p, 29.97p, 50p, 59.94p
  - Super Slow 4K/100 and 120fps approx 4 sec, 2K/100, 120, 200 and 240fps continuous.
  - (HXR-IFR5 and AXS-R5 can record all these modes)
- Addition of 2 gamma settings and preset [PP7] on Picture Profile
  - S-Log2 and 709 (800%) gamma. It can apply to SDI/HDMI output and AVCHD recording.
- Rec control embedded on SDI and HDMI for operating external recorder.
- Support the secure access mode of Mirroring Memory Stick (PX series).
- Power zoom (SELP18200) lens supported for using the zoom lever on the grip of the camcorder.



## Specifications

HXR-IFR5		
Mass (Body only)	910 g (2 lb)	
Mass (including the AXS-R5, the battery pack BP-FL75 and the AXS memory card AXS-512S24)	2600 g (5 lb 11 oz)	
Power Consumption	5.0 W	
Power Requirements (AC adaptor / Battery)	DC11 V ~ 17 V	
Dimension (W × H × D) (including protrusions / Body only)	115 mm × 189 mm × 127.5 mm	
Dimension (W × H × D) (including the projecting parts, the AXS-R5 and the battery pack BP-FL75)	119 mm × 189 mm × 207 mm	
Battery operating time (BP-FL75)	Continuous recording time	150 min
	Continuous playback time	165 min
Operating Temperature	0 ~ 40°C	
Storage Temperature	-20 ~ +60°C	

## Dimensions



Unit: mm (inches)

## Related Products



**AXS-R5**  
2K/4K external 16bit RAW recorder



**AXS-512S24**  
AXS Memory card, 512GB



**AXS-CR1**  
Card reader for AXS media



**BP-FL75**  
Olivine long-lasting battery



**BC-L90**  
High speed battery charger for BP-FL75 and V-Mount batteries

### Distributed by

MK11049V1OHB13MAY

© 2013 Sony Corporation. All rights reserved.  
Reproduction in whole or in part without written permission is prohibited.  
Features and specifications are subject to change without notice.

The values for mass and dimension are approximate.

Sony and Sony logo are trademarks of Sony Corporation.

NXCAM and NXCAM logo are trademarks of Sony Corporation.

Memory Stick and their respective logos are

trademarks of Sony Corporation.

Picture Profile are trademarks of Sony Corporation.

AVCHD and AVCHD logo are trademarks of

Panasonic Corporation and Sony Corporation.

All other trademarks are the property of their respective owners.