

# HXR-NX3

High Quality 3CMOS Handheld Camcorder

**SONY**  
make.believe



**A new multi-purpose camcorder offering exceptional image Quality ready to maximize your creative potential as a producer.**

The HXR-NX3 is a professional camcorder that features Sony Exmor™ 3CMOS Sensors for outstanding image quality. Dual media slots allow simultaneous or relay recording in AVCHD 2.0 (1080 50p) format. There's also a Slow & Quick Motion feature that achieves smooth 2x slow motion when recording at 25p, or 50x quick motion recorded at 1 frame per second when recording at 50p. In addition to 20x optical zoom, Clear Image Zoom with Super Resolution Technology provides an extended 40x zoom range with excellent clarity and detail. A built-in LED video light, Wi-Fi/NFC remote control capability, and a 3.5 inch LCD panel for enhanced viewing add to the versatility of this multi-purpose camcorder.

**nxcam** AVCHD



**Exmor**  
3CMOS Sensors



## HXR-NX3

High Quality 3CMOS Handheld Camcorder



### Original Sony lens, sensor, and LSI technology for impressive imagery

The HXR-NX3 imaging advantage begins with a Sony G Lens that offers stunning image quality as well as a wide zoom range. Behind that lens is a 3CMOS Sensor system with three 1/2.8" sensors providing a 2.07 million effective pixel count at the 16:9 aspect ratio. Red, blue, and green light are independently and accurately captured by separate image sensors, contributing to high resolution, high sensitivity, and wide dynamic range that translate to extraordinarily natural color reproduction. A newly developed LSI that includes advanced noise reduction and several distortion correction technologies handles image processing, allowing clear, low-noise recordings to be captured even in low light. Recorded images are remarkably lifelike in texture and detail.

### 40x Clear Image Zoom

The high-performance Sony G Lens provided with the HXR-NX3 offers an expansive 28.8 mm (35mm full-frame format equivalent) angle of view at the wide end, with a 20x optical zoom range that will easily cover most shooting situations. When more reach is required, Clear Image Zoom employs Super Resolution Technology to provide excellent image quality at a 40x range.



Wide angle (28.8 mm)



40x Clear Image Zoom (1152 mm)

### AVCHD 2.0 (1080 50p) and DV recording

HD video is recorded in AVCHD 2.0 (50p) format with a high 50 fps frame rate that achieves smooth, natural subject motion. 50i and 25p modes provide playback compatibility with Blu-ray players. The ability to record in DV format is also provided for users who prefer a DV workflow, and who need to work in a DV compatible non-linear editing environment.



### Slow & Quick Motion

Smooth slow or quick motion with full HD quality is available without any extra processing. 2x slow motion can be easily achieved by setting the recording format to 25p and the frame rate to 50 fps. If you'd rather speed up the action the frame rate can be set to 1 fps for 50x quick motion when recording at 50p.

### Dual media slots, "Simul" or "Relay" recording, and independent rec control

Two media slots allow either simultaneous recording to two memory cards in the "Simul" mode, or "Relay" recording in which recording automatically switches to the second memory card when the first is full. The user can set up the two Start/Stop buttons on the HXR-NX3, one on the grip and one on the camcorder body, to independently start and stop recording on different memory cards while recording in Simul mode.





### Built-in LED video light\*

A built-in LED video light is provided just above the camcorder's built-in microphone, providing convenient, bright illumination for a wide range of shooting situations and minimizing the need to carry external lighting equipment. Illumination is approximately 200 lux/1m (approx. 800 lux/0.5m) with a beam angle of 30° and a color temperature of approximately 5500K.

\* An external microphone connected via the XLR connector may cast a shadow if used simultaneously with the built-in LED light.



### Wi-Fi file transfer and remote control\*1

Low-bitrate MP4 files (720p, 3 Mbps) recorded simultaneously with AVCHD files can be wirelessly transferred to a smartphone or tablet computer and then uploaded directly to cloud servers or social networking sites for preview by editing staff or public viewing.\*2 One-touch authentication is also possible with smartphones that offer NFC\*3 connectivity. Remote control features include monitoring of camera material on the smartphone display, record start/stop, zoom, iris, and touch AF. The required PlayMemories Mobile\*4 smartphone application can be downloaded from the Google Play Store or App Store.\*5

\*1 Wi-Fi operation cannot be guaranteed with all smartphones and tablet computers.

\*2 MP4 recording is not available when AVCHD (1080 50p) is selected. Only MP4 files can be transferred wirelessly. Timecode is not included in MP4 files. Uploading to web servers/sites must be done via separate applications installed on the smartphone or tablet computer.

\*3 NFC, or Near Field Communication, allows close-range wireless communication between the HXR-NX3 and an NFC equipped smartphone or tablet computer.

\*4 PlayMemories Mobile is a free Sony mobile application that allows Wi-Fi communication with Handycam camcorders and other imaging devices.

\*5 iOS 4.3 through 7.0 or Android 2.3 through 4.3 currently supported.



### Timecode and HDMI embedded timecode output

Timecode and user bit settings are important features for professional applications. Timecode is essential for efficient non-linear editing of live footage from multiple NXCAM camcorders. Like other Sony NXCAM camcorders, HXR-NX3 timecode can be reset from the supplied infrared remote control unit, and this allows multiple cameras to be reset simultaneously for easy synchronization. For extra sync versatility, timecode and user bits can also be output via the camcorder's HDMI jack.

### Scene Selection

Scene Selection provides professional users with seven presets optimized for a variety of shooting situations. There's the Sunrise & Sunset preset, for example, that instantly optimizes the camcorder settings for brilliant reproduction of sunset or sunrise colors. Or the Spotlight preset that makes it easy to capture subjects lit by spotlights and stage lighting without blown highlights. Scene selection is just one more way that the HXR-NX3 offers extra shooting convenience.

### Intelligent Auto (iAUTO)

The iAUTO feature makes it easy to capture beautiful images in a wide variety of shooting situations. This handy feature automatically selects the optimum scene setting from three groups of ten scenes. For example, iAUTO can detect that the user is walking while shooting, for example, and automatically select the "Walk" setting from the group that includes the "Walk" and "Tripod" settings to ensure that optimum image quality is achieved.

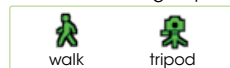
#### SCENE group



#### FACE group



#### Camera-shake group

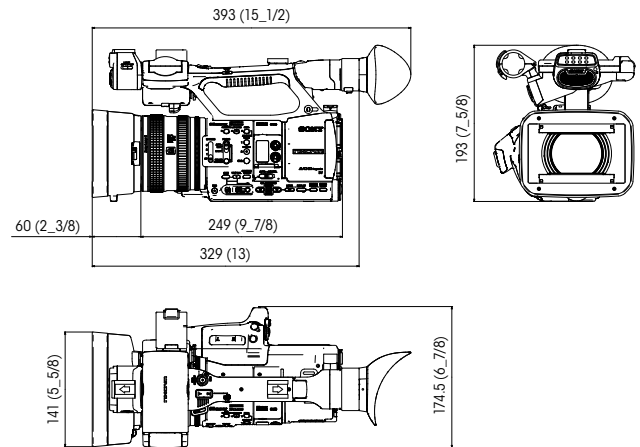


# Specifications

General		HXR-NX3 (PAL)
Mass		Approx 2.21 kg, 4 lb 14 oz (with lens hood) Approx. 2.54 kg, Approx. 5lb, 10oz (with lens hood, eyecup, NP-F970 battery)
Dimensions (W x H x D)		Approx. 174.5 x 193 x 393 mm, 6, 7/8 x 7, 5/8 x 15, 1/2 inches (with lens hood, eye piece, and protrusion)
Power Requirements		7.2V (battery pack); 8.4V (AC Adaptor)
Power Consumption		Approx. 6.3 W (with XLR mic while recording, EVF On, Video light Off.) Approx. 6.7 W (with XLR mic while recording, LCD monitor On, Video light Off)
Operating Temperature		0°C to 40°C (32°F to 104°F)
Storage Temperature		-20°C to +60°C (-4°F to +140°F)
Battery Operating Time (Continuous Recording Time)		Approx. 410 min with NP-F770 battery (video light Off) Approx. 265 min with NP-F770 battery (video light On)
Recording Format (Video)	HD	MPEG-4 AVC/H.264 AVCHD 2.0 format compatible
	SD	DV (AVI)
	MP4	MPEG-4 AVC/H.264 with MP4 wrapping
Recording Format (Audio)	HD	Linear PCM 2ch, 16 bit, 48 kHz/Dolby Digital 2ch, 16 bit, 48 kHz
	SD	Linear PCM 2ch, 16 bit, 48 kHz
	MP4	AAC 2ch, 16 bit, 48 kHz
Recording Frame Rate	HD	PS (28Mbps) 1920 x 1080/50p, 16:9 FX (24Mbps) 1920 x 1080/50i, 25p, 16:9, 1280 x 720/50p, 16:9 FH (17Mbps) 1920 x 1080/50i, 25p, 16:9, 1280 x 720/50p, 16:9 HQ (9Mbps) 1440 x 1080/50p, 16:9, 1280 x 720/50p, 16:9 LP (5Mbps) 1440 x 1080/50i, 16:9
	SD	DV (25Mbps) 720 x 576/50i, 16:9, 4:3
	MP4	MP4 (3.5Mbps) 1280 x 720/25p, 16:9
Recording/Playback Time		Approx. 290 min (SD 64 GB, PS, LPCM) Approx. 340 min (SD 64 GB, FX, LPCM) Approx. 450 min (SD 64 GB, FH, LPCM)
Lens		
Lens Mount		Fixed
Zoom Ratio		20x (optical), servo/manual
Focal Length		f=4.1 - 82.0 mm equivalent to f=28.8 - 576 mm on 35 mm lens (16:9) equivalent to f=35.2 - 705 mm on 35 mm lens (4:3)
Iris		F1.6 - F11 auto/manual selectable
Focus		AF/MF selectable, 10 mm to ∞ (Wide), 800 mm to ∞ (Tele)
Image Stabilizer		ON/OFF selectable, shift lens
Filter Diameter		M72 mm
Camera Section		
Imaging Device (Type)		3-chips 1/2.8 type "Exmor" CMOS Sensor
Imaging Device (Pixel Count)		2.41M (total), 2.07M (effective)
Built-in Optical Filters		OFF: Clear, 1: 1/4ND, 2: 1/16ND, 3: 1/64ND
Minimum Illumination		50i : 1.0lux (1/25 Shutter Speed, iris/gain Auto) 50i : 0.3lux (1/25 Shutter Speed, iris Auto, gain 30dB)
Shutter Speed		1/3 sec to 1/10,000 sec
Slow & Quick Motion Function		1080p: Frame rate selectable 1, 2, 3, 6, 12, 25, 50 fps
White Balance		Preset (Outdoor:5600K), A, B
Gain		-6, -3, 0, 3, 6, 9, 12, 15, 18, 21, 24, 27, 30 dB, AGC
Gamma Curve		Selectable
Input/Output		
Audio Input		XLR-type 3-pin (female) (x2), line/mic/mic +48 V selectable
Composite Output		BNC (x1), PAL
Audio Output		RCA pin
USB		mini-AB USB2.0 Hi-speed/mass-storage/Host
Headphone Output		Stereo mini jack ø3.5mm (x1)
Speaker Output		Monaural
DC Input		DC jack
Remote		Stereo mini mini jack ø2.5mm (x1)
HDMI Output		Type A (x1)

Monitoring		HXR-NX3 (PAL)
Viewfinder		0.45 type color LCD: 852 X 3[RGB] X 480 equivalent, 16:9
Built-in LCD Monitor		3.5-inch type color LCD monitor: approx. 921000 effective pixels, 640 (H) x 3 (RGB) x 480 (V), 16:9
Built-in Microphone		
Built-in Microphone		Omni-directional stereo electret condenser microphone.
Media		
Type		Memory Stick Duo™ and SD/SDHC/SDXC compatible x1 SD/SDHC/SDXC x1
Built-in LED Light		
Luminous intensity		1.0m / Approx.200 lx, 0.5m / Approx.800lx
Lighting angle		Approx. 30°
Color temperature		Approx. 5,500K
Wi-Fi		
Supported format		IEEE 802.11 b/g/n
Frequency band		2.4 GHz bandwidth
Security		WEP/WPA-PSK/WPA2-PSK
NFC		NFC Forum Type 3 Tag compliant
Supplied Accessories		
		Lens hood (1), Pre-installed to the Camcorder EVF eyecup (1) Infrared Remote Commander (1) Lithium battery (CR2025 for the IR Remote Commander) (1) CD-ROM Operating instructions in PDF (1) Operating instructions (1) AC-L100C AC adaptor (1) AC Cable (1) COLD SHOE KIT(1) warranty (1)

## Dimensions



Unit: mm (inches)

## Available Accessories

<b>VCL-HG0872K</b> Wide Conversion Lens	<b>2NP-F970/B</b> Rechargeable Battery Pack	<b>ACC-L1BP</b> AC Adaptor/Charger/Battery Kit	<b>VCT-SP2BP</b> Camcorder Support	<b>VCT-PG11RMB</b> Tripod with RM-1BP Remote Controller	<b>LCS-G1BP</b> Soft Carrying Case	<b>LCS-BP1BP</b> Soft Carrying Case	<b>RM-1BP</b> Remote Commander
<b>MS-HX32B</b> (32 GB, 16 GB, 8 GB) Memory Stick PRO-HG Duo™	<b>SF-32UX</b> (32 GB, 16 GB, 8 GB) SD/SDHC Memory Card	<b>MS-PX64</b> (64 GB, 32 GB, 16 GB) Memory Stick PRO-HG Duo™ Mirroring Memory Stick	<b>UWP-V1</b> Wireless Microphone Package	<b>ECM-VG1</b> Electret Condenser Microphone	<b>ECM-MS2</b> Electret Condenser Microphone	<b>ECM-673</b> Electret Condenser Microphone	

### Distributed by

©2013 Sony Corporation. All rights reserved.  
 Reproduction in whole or in part without written permission is prohibited.  
 Features and specifications are subject to change without notice.  
 The values for mass and dimension are approximate.  
 Sony and Sony logo are trademarks of Sony Corporation.  
 NXCAM and NXCAM logo are trademarks of Sony Corporation.  
 Memory Stick and their respective logos are trademarks of Sony Corporation.  
 Picture Profile are trademarks of Sony Corporation.  
 AVCHD and AVCHD logo are trademarks of Panasonic Corporation and Sony Corporation.  
 Dolby is a trademark of Dolby Laboratories.  
 SD, SDHC and SDXC logs are trademarks of SD-3C, LLC.  
 "PlayMemories Mobile" is a trademark of Sony Corporation.  
 All other trademarks are the property of their respective owners.